



High Technology Industries

Message Implementation Guideline

## **HTI-ORDERS**

based on

### **ORDERS**

Purchase order message

### **UN D.07A S3**

Version: D07A

Variant: 1.2

Issue date: 07.12.2018

Author: ecosio GmbH

---

1 Message Structure.....	3
2 Branching Diagram .....	5
3 Segments .....	12

## Structure / Table of Contents

Counter	No	Tag	St	MaxOcc	Level	Content
0000	1	<b>UNA</b>	C	1	0	Service string advice
0000	2	<b>UNB</b>	M	1	0	Interchange header
0010	3	<b>UNH</b>	M	1	0	Message header
0020	4	<b>BGM</b>	M	1	0	Beginning of message
0030	5	<b>DTM</b>	M	35	1	Date/time/period
0030	6	<b>DTM</b>	M	35	1	Date/time/period
0090		<b>SG1</b>	C	9999	1	RFF
0100	7	<b>RFF</b>	C	1	1	Reference
0090		<b>SG1</b>	C	9999	1	RFF
0100	8	<b>RFF</b>	C	1	1	Reference
0120		<b>SG2</b>	R	99	1	NAD-SG3-SG5
0130	9	<b>NAD</b>	M	1	1	Name and address
0160		<b>SG3</b>	C	99	2	RFF
0170	10	<b>RFF</b>	M	1	2	Reference
0220		<b>SG5</b>	C	5	2	CTA-COM
0230	11	<b>CTA</b>	M	1	2	Contact information
0240	12	<b>COM</b>	C	5	3	Communication contact
0120		<b>SG2</b>	R	99	1	NAD-SG3-SG5
0130	13	<b>NAD</b>	M	1	1	Name and address
0160		<b>SG3</b>	C	99	2	RFF
0170	14	<b>RFF</b>	M	1	2	Reference
0220		<b>SG5</b>	C	5	2	CTA-COM
0230	15	<b>CTA</b>	M	1	2	Contact information
0240	16	<b>COM</b>	C	5	3	Communication contact
0120		<b>SG2</b>	R	99	1	NAD
0130	17	<b>NAD</b>	M	1	1	Name and address
0290		<b>SG7</b>	R	5	1	CUX
0300	18	<b>CUX</b>	M	1	1	Currencies
0460		<b>SG12</b>	R	5	1	TOD
0470	19	<b>TOD</b>	M	1	1	Terms of delivery or transport
1100		<b>SG29</b>	M	200000	1	LIN-PIA-IMD-QTY-MOA-FTX-FTX-FTX-FTX-SG33-SG34-SG41-SG55
1110	20	<b>LIN</b>	M	1	1	Line item
1120	21	<b>PIA</b>	C	25	2	Additional product id
1130	22	<b>IMD</b>	R	99	2	Item description
1150	23	<b>QTY</b>	R	99	2	Quantity
1190	24	<b>MOA</b>	C	10	2	Monetary amount
1270	25	<b>FTX</b>	C	99	2	Free text

Counter = Counter of segment/group within the standard  
 No = Consecutive segment number  
 MaxOcc = Maximum occurrence of the segment/group

St = Status  
 EDIFACT: M=Mandatory, C=Conditional  
 User specific: R=Required, O=Optional, D=Dependent,  
 A=Advised, N=Not used

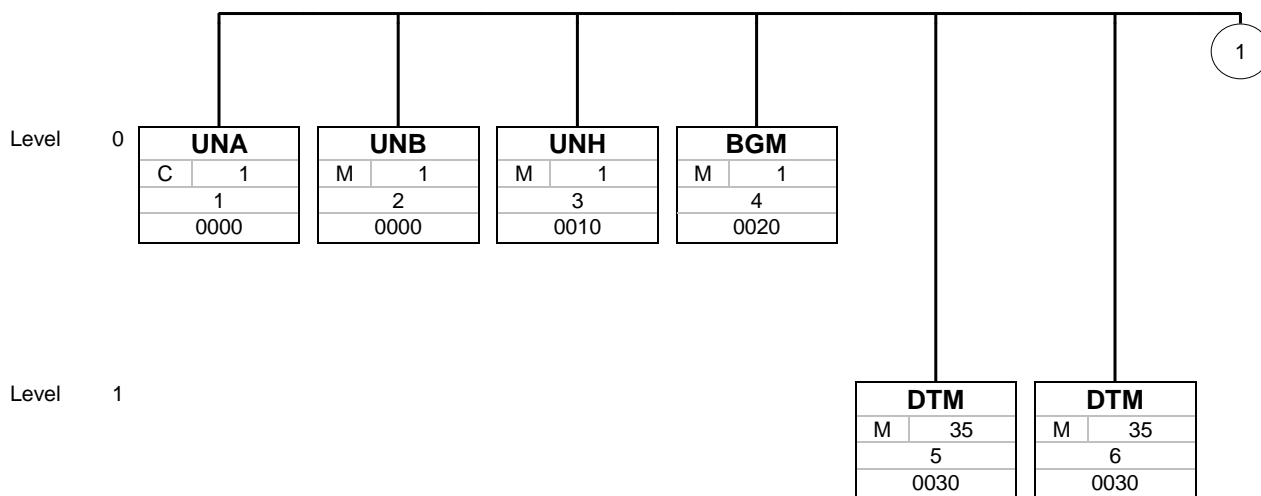


Counter	No	Tag	St	MaxOcc	Level	Content
1270	26	FTX	C	99	2	Free text
1270	27	FTX	C	99	2	Free text
1270	28	FTX	C	99	2	Free text
1270	29	FTX	C	99	2	Free text
1390		<b>SG33</b>	C	25	2	PRI
1400	30	PRI	M	1	2	Price details
1450		<b>SG34</b>	C	9999	2	RFF-DTM
1460	31	RFF	M	1	2	Reference
1470	32	DTM	C	5	3	Date/time/period
1740		<b>SG41</b>	R	999	2	NAD-LOC
1750	33	NAD	M	1	2	Name and address
1760	34	LOC	R	5	3	Place/location identification
2190		<b>SG55</b>	R	100	2	SCC-SG56
2200	35	SCC	M	1	2	Scheduling conditions
2230		<b>SG56</b>	R	10	3	QTY-DTM
2240	36	QTY	M	1	3	Quantity
2250	37	DTM	M	5	4	Date/time/period
2490	38	UNS	M	1	0	Section control
2500	39	MOA	C	99	1	Monetary amount
2560	40	UNT	M	1	0	Message trailer
0000	41	UNZ	M	1	0	Interchange trailer

Counter = Counter of segment/group within the standard  
 No = Consecutive segment number  
 MaxOcc = Maximum occurrence of the segment/group

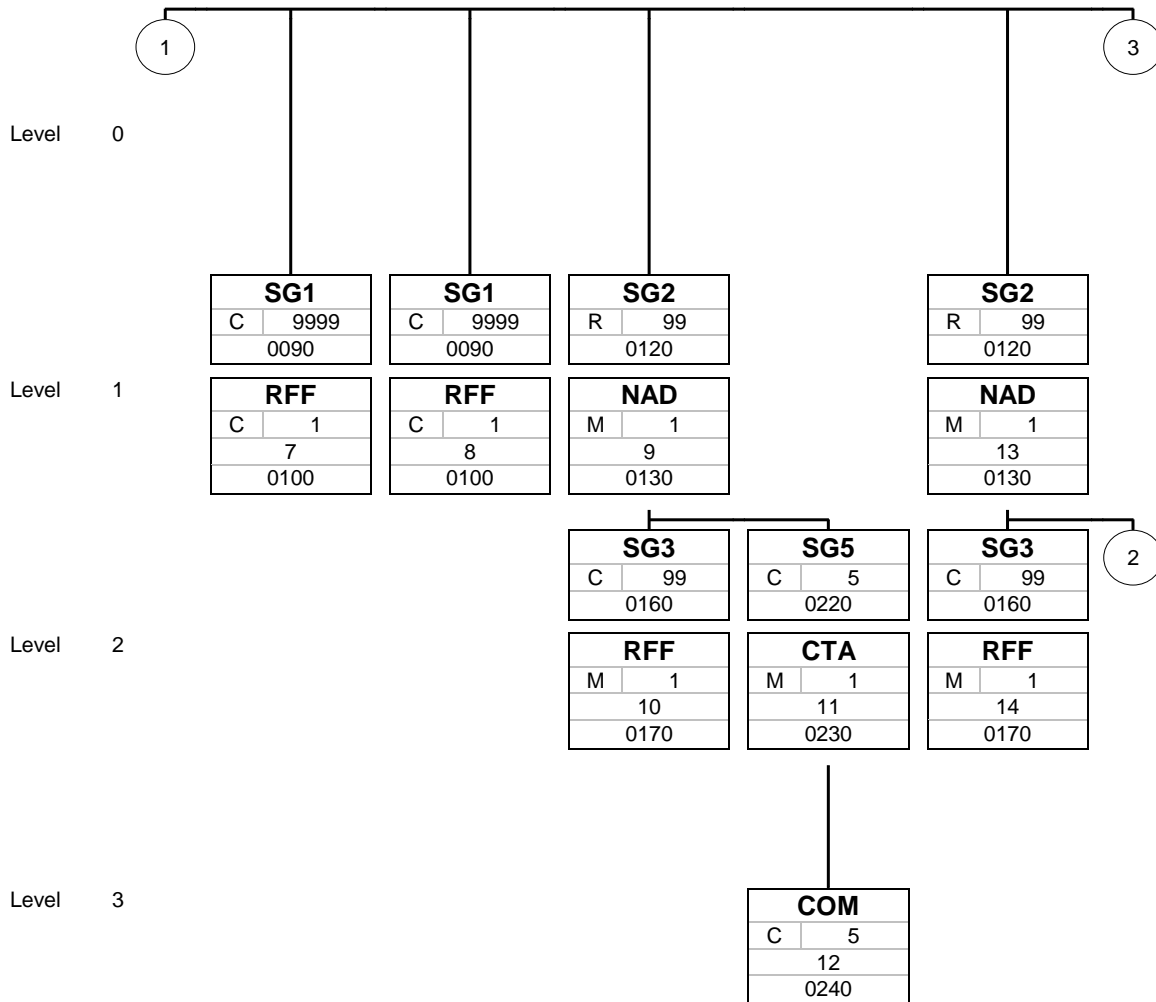
St = Status  
 EDIFACT: M=Mandatory, C=Conditional  
 User specific: R=Required, O=Optional, D=Dependent,  
 A=Advised, N=Not used

## Branching Diagram of Used Segments/Groups



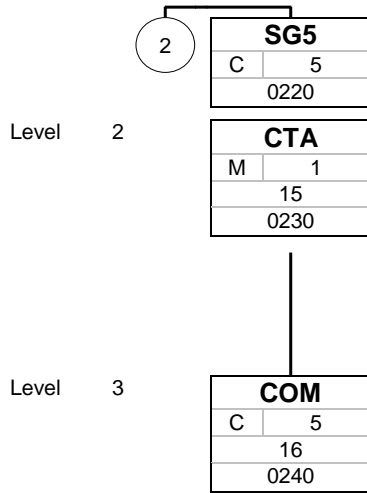
Tag
St MaxOcc
No
Counter

Tag = Segment/Group Tag  
 St = Status (M=Mandatory, C=Conditional, R=Required, O=Optional, A=Advised, D=Dependent)  
 MaxOcc = Maximum occurrence of the segment/group  
 No = Consecutive segment number  
 Counter = Counter of segment/group within the standard



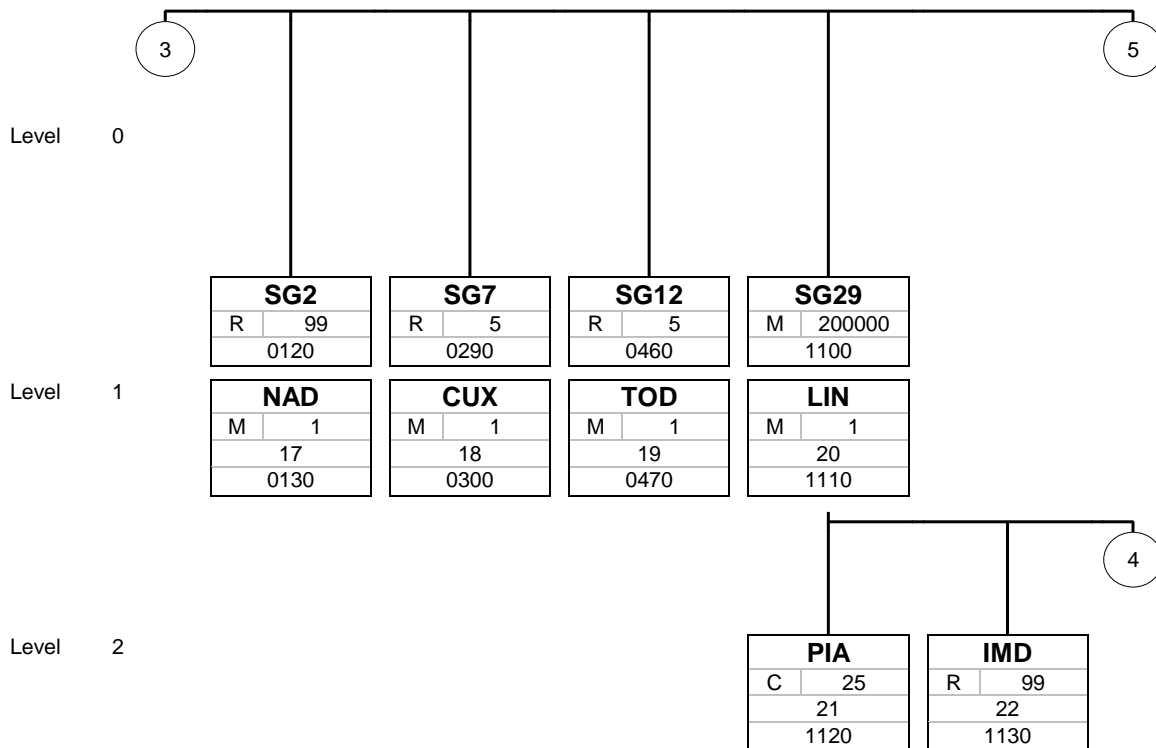
Tag
St MaxOcc
No
Counter

Tag = Segment/Group Tag  
 St = Status (M=Mandatory, C=Conditional, R=Required, O=Optional, A=Advised, D=Dependent)  
 MaxOcc = Maximum occurrence of the segment/group  
 No = Consecutive segment number  
 Counter = Counter of segment/group within the standard



Tag
St MaxOcc
No
Counter

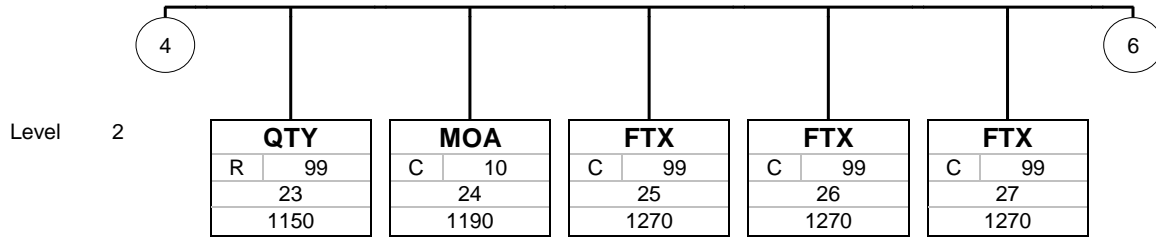
Tag = Segment/Group Tag  
 St = Status (M=Mandatory, C=Conditional, R=Required, O=Optional, A=Advised, D=Dependent)  
 MaxOcc = Maximum occurrence of the segment/group  
 No = Consecutive segment number  
 Counter = Counter of segment/group within the standard



Tag
St MaxOcc
No
Counter

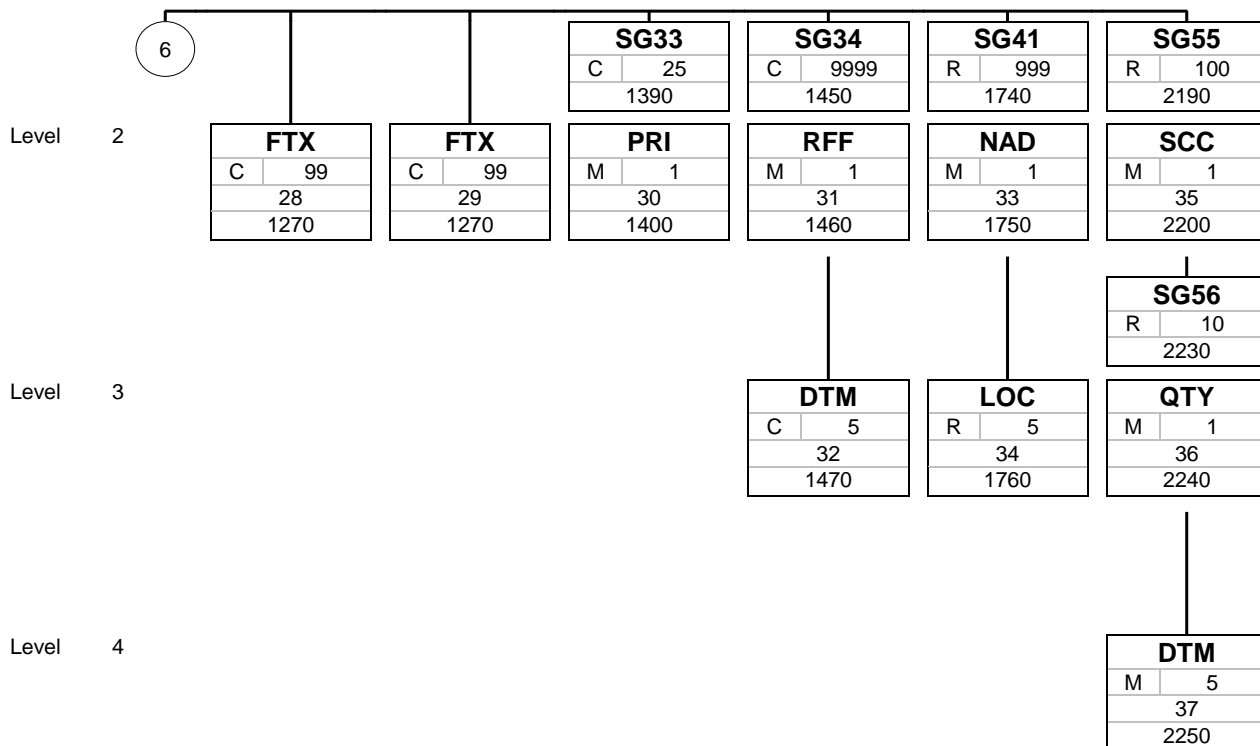
Tag = Segment/Group Tag  
 St = Status (M=Mandatory, C=Conditional, R=Required, O=Optional, A=Advised, D=Dependent)  
 MaxOcc = Maximum occurrence of the segment/group  
 No = Consecutive segment number  
 Counter = Counter of segment/group within the standard





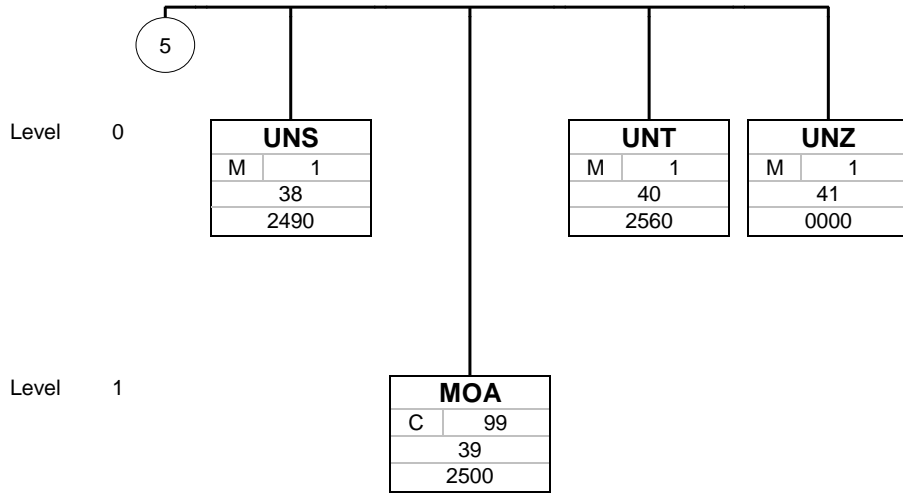
Tag
St MaxOcc
No
Counter

Tag = Segment/Group Tag  
 St = Status (M=Mandatory, C=Conditional, R=Required, O=Optional, A=Advised, D=Dependent)  
 MaxOcc = Maximum occurrence of the segment/group  
 No = Consecutive segment number  
 Counter = Counter of segment/group within the standard



Tag
St MaxOcc
No
Counter

Tag = Segment/Group Tag  
 St = Status (M=Mandatory, C=Conditional, R=Required, O=Optional, A=Advised, D=Dependent)  
 MaxOcc = Maximum occurrence of the segment/group  
 No = Consecutive segment number  
 Counter = Counter of segment/group within the standard



Tag
St MaxOcc
No
Counter

Tag = Segment/Group Tag  
 St = Status (M=Mandatory, C=Conditional, R=Required, O=Optional, A=Advised, D=Dependent)  
 MaxOcc = Maximum occurrence of the segment/group  
 No = Consecutive segment number  
 Counter = Counter of segment/group within the standard



## Segments

Counter	No	Tag	St	MaxOcc	Level	Name
0000	1	<b>UNA</b>	C	1	0	Service string advice

		Standard	Implementation	
Tag	Name	St Format	St Format	Usage / Remark
UNA				
UNA1	Component data element separator	M an1	M an1	Used as a separator between component data elements contained within a composite data element (default value: ":")
UNA2	Data element separator	M an1	M an1	Used to separate two simple or composite data elements (default value: "+")
UNA3	Decimal notation	M an1	M an1	Used to indicate the character used for decimal notation (default value: ".")
UNA4	Release indicator	M an1	M an1	Used to restore any service character to its original specification (value: "?").
UNA5	Reserved for future use	M an1	M an1	(default value: space)
UNA6	Segment terminator	M an1	M an1	Used to indicate the end of segment data (default value: "'")

**Remark:**

Provides details about the special characters used in the message.

**Example:**

UNA: + . ? ' '

No = Consecutive segment number  
 MaxOcc = Maximum occurrence of the segment/group  
 Counter = Counter of segment/group within the standard

St = Status  
 EDIFACT: M=Mandatory, C=Conditional  
 User specific: R=Required, O=Optional, D=Dependent,  
 A=Advised, N=Not used



Counter	No	Tag	St	MaxOcc	Level	Name
0000	2	<b>UNB</b>	M	1	0	Interchange header

		Standard	Implementation	
Tag	Name	St Format	St Format	Usage / Remark
UNB				
S001	Syntax identifier	M	M	
0001	Syntax identifier	M a4	M a4	The encoding of the message. Always ISO-8859-1 <b>UNOC UN/EDC level C</b>
0002	Syntax version number	M n1	M n1	<b>3 Version 3</b>
S002	Interchange sender	M	M	
0004	Sender identification	M an..35	M an..35	Sender of the EDIFACT message. Identified using a Global Location Number (GLN), a Dun & Bradstreet Number (DUNS), or a mutually agreed identifier. HTI strongly encourages the use of GLN and DUNS numbers.
0007	Partner identification code qualifier	C an..4	R an..4	<b>01 DUNS (Data Universal Numbering System)</b> <b>14 GS1</b> <b>ZZ Mutually defined</b>
0008	Address for reverse routing	C an..14	N	Not used
S003	Interchange recipient	M	M	
0010	Recipient identification	M an..35	M an..35	Recipient of the EDIFACT message. Identified using a Global Location Number (GLN), a Dun & Bradstreet Number (DUNS), or a mutually agreed identifier. HTI strongly encourages the use of GLN and DUNS numbers.
0007	Partner identification code qualifier	C an..4	R an..4	<b>01 DUNS (Data Universal Numbering System)</b> <b>14 GS1</b> <b>ZZ Mutually defined</b>
0014	Routing address	C an..14	N	Not used
S004	Date/time of preparation	M	M	
0017	Date of preparation	M n6	M n6	YYMMDD
0019	Time of preparation	M n4	M n4	HHMM
0020	Interchange control reference	M an..14	M an..14	Unique reference identifying the interchange. Created by the sender's system. In order to allow for an easy lookup of interchange numbers in case of message disputes, it is encouraged that interchange reference numbers are unique per sender/receiver combination. Usually this means, that auto increment numbers shall be used.
S005	Recipient's reference, password	C	N	
0022	Recipient's reference/password	M an..14	N	Not used
0025	Recipient's reference/password qualifier	C an2	N	Not used
0026	Application reference	C an..14	N	Not used
0029	Processing priority code	C a1	N	Not used
0031	Acknowledgement request	C n1	N	Not used
0032	Communications agreement ID	C an..35	N	Not used
0035	Test indicator	C n1	O n1	<b>1 Interchange is a test</b>

**Remark:**

This segment is used to envelope the interchange, as well as to identify both, the party to whom the interchange is sent and the party who has sent the interchange. The principle of the UNB segment is the same as a physical envelope which covers one or more letters or documents, and which details, both the address where delivery is to take place and the address from where the envelope has come.

**Example:**

```
UNB+UNOC:3+8059173490004:14+12345678912345:14+181002:1644+4677+++++1'
```

No = Consecutive segment number  
MaxOcc = Maximum occurrence of the segment/group  
Counter = Counter of segment/group within the standard

St = Status  
EDIFACT: M=Mandatory, C=Conditional  
User specific: R=Required, O=Optional, D=Dependent,  
A=Advised, N=Not used



Counter	No	Tag	St	MaxOcc	Level	Name
0010	3	<b>UNH</b>	M	1	0	Message header

Standard			Implementation	
Tag	Name	St Format	St Format	Usage / Remark
UNH				
0062	Message reference number	M an..14	M an..14	Sender's unique message reference. Sequence number of the messages in the interchange. DE 0062 in the UNT will be exactly the same. Sender generated.
S009	Message identifier	M	M	
0065	Message type	M an..6	M an..6	<b>ORDERS Purchase order message</b>
0052	Message version number	M an..3	M an..3	<b>D Draft version/UN/EDIFACT Directory</b>
0054	Message release number	M an..3	M an..3	<b>07A Release 2007 - A</b>
0051	Controlling agency	M an..2	M an..2	<b>UN UN/CEFACT</b>
0057	Association assigned code	C an..6	N	Not used
0068	Common access reference	C an..35	N	Not used
S010	Status of the transfer	C	N	
0070	Sequence of transfers	M n..2	N	Not used
0073	First and last transfer	C a1	N	Not used

**Remark:**

This segment is used to head, identify and specify a message.

**Example:**

UNH+PO4711+ORDERS:D:07A:UN'

No = Consecutive segment number  
 MaxOcc = Maximum occurrence of the segment/group  
 Counter = Counter of segment/group within the standard

St = Status  
 EDIFACT: M=Mandatory, C=Conditional  
 User specific: R=Required, O=Optional, D=Dependent,  
 A=Advised, N=Not used

Counter	No	Tag	St	MaxOcc	Level	Name
0020	4	<b>BGM</b>	M	1	0	<b>Beginning of message</b>

Standard			Implementation	
Tag	Name	St Format	St Format	Usage / Remark
<b>BGM</b>				
C002	Document/message name	C	R	
1001	Document name code	C an..3	R an..3	<b>220 Order</b>
1131	Code list identification code	C an..17	N	Not used
3055	Code list responsible agency code	C an..3	N	Not used
1000	Document name	C an..35	N	Not used
C106	Document/message identification	C	R	
1004	Document identifier	C an..35	R an..35	Number of the Purchase Order issued by the buyer party.
1056	Version identifier	C an..9	N	Not used
1060	Revision identifier	C an..6	N	Not used
1225	Message function code	C an..3	R an..3	<b>9 Original</b> The message function of the given purchase order. In case of HTI only '9' is supported, which is an original order. To amend an existing order message, an order change message shall be used.
4343	Response type code	C an..3	N	Not used

**Remark:**

This segment is used to indicate the type and function of a message and to transmit the identifying number.

**Example:**

BGM+220+PO4711+9'

No = Consecutive segment number  
 MaxOcc = Maximum occurrence of the segment/group  
 Counter = Counter of segment/group within the standard

St = Status  
 EDIFACT: M=Mandatory, C=Conditional  
 User specific: R=Required, O=Optional, D=Dependent,  
 A=Advised, N=Not used

Counter	No	Tag	St	MaxOcc	Level	Name
0030	5	<b>DTM</b>	M	35	1	Date/time/period

Standard			Implementation	
Tag	Name	St Format	St Format	Usage / Remark
DTM				
C507	Date/time/period	M	M	
2005	Date or time or period function code qualifier	M an..3	M an..3	<b>4 Order document issue date time</b>
2380	Date or time or period text	C an..35	R an..35	The actual date value.
2379	Date or time or period format code	C an..3	R an..3	<b>102 CCYYMMDD</b>

**Remark:**  
This segment specifies the date when the purchase order was issued.

**Example:**  
DTM+4:20181002:102'

No = Consecutive segment number  
MaxOcc = Maximum occurrence of the segment/group  
Counter = Counter of segment/group within the standard

St = Status  
EDIFACT: M=Mandatory, C=Conditional  
User specific: R=Required, O=Optional, D=Dependent,  
A=Advised, N=Not used





Counter	No	Tag	St	MaxOcc	Level	Name
0030	6	<b>DTM</b>	M	35	1	Date/time/period

Standard			Implementation	
Tag	Name	St Format	St Format	Usage / Remark
DTM				
C507	Date/time/period	M	M	
2005	Date or time or period function code qualifier	M an..3	M an..3	<b>137 Document issue date time</b>
2380	Date or time or period text	C an..35	R an..35	The actual date value.
2379	Date or time or period format code	C an..3	R an..3	<b>102 CCYYMMDD</b>

**Remark:**

This segment specifies the date when the document was issued.

**Example:**

DTM+137:20181002:102'

No = Consecutive segment number  
 MaxOcc = Maximum occurrence of the segment/group  
 Counter = Counter of segment/group within the standard

St = Status  
 EDIFACT: M=Mandatory, C=Conditional  
 User specific: R=Required, O=Optional, D=Dependent,  
 A=Advised, N=Not used



Counter	No	Tag	St	MaxOcc	Level	Name
0090		<b>SG1</b>	C	9999	1	RFF
0100	7	<b>RFF</b>	C	1	1	Reference

Standard			Implementation	
Tag	Name	St Format	St Format	Usage / Remark
RFF				
C506	Reference	M	M	
1153	Reference code qualifier	M an..3	M an..3	<b>AEP Project number</b> The project specific CUP for this ORDERS message.
1154	Reference identifier	C an..70	R an..15	CUP. The code must have 15 alphanumeric characters.
1156	Document line identifier	C an..6	N	Not used
1056	Version identifier	C an..9	N	Not used
1060	Revision identifier	C an..6	N	Not used

**Remark:**

Codice Unico di Progetto (CUP, engl. unique project code) - for Italian public project announcements.

**Example:**

RFF+AEP:C11G0600000001'

No = Consecutive segment number  
 MaxOcc = Maximum occurrence of the segment/group  
 Counter = Counter of segment/group within the standard

St = Status  
 EDIFACT: M=Mandatory, C=Conditional  
 User specific: R=Required, O=Optional, D=Dependent,  
 A=Advised, N=Not used



Counter	No	Tag	St	MaxOcc	Level	Name
0090		<b>SG1</b>	C	9999	1	<b>RFF</b>
0100	8	<b>RFF</b>	C	1	1	<b>Reference</b>

Standard			Implementation	
Tag	Name	St Format	St Format	Usage / Remark
RFF				
C506	Reference	M	M	
1153	Reference code qualifier	M an..3	M an..3	<b>AGI Request number</b> The project specific CIG for this ORDERS message.
1154	Reference identifier	C an..70	R an..10	CIG. The code must have 10 alphanumeric characters.
1156	Document line identifier	C an..6	N	Not used
1056	Version identifier	C an..9	N	Not used
1060	Revision identifier	C an..6	N	Not used

**Remark:**

Codice Identificativo Gara (CIG, engl. tender identification code) - for Italian public project announcements.

**Example:**

RFF+AGI:ABCDE12345'

No = Consecutive segment number  
 MaxOcc = Maximum occurrence of the segment/group  
 Counter = Counter of segment/group within the standard

St = Status  
 EDIFACT: M=Mandatory, C=Conditional  
 User specific: R=Required, O=Optional, D=Dependent,  
 A=Advised, N=Not used

Counter	No	Tag	St	MaxOcc	Level	Name
	0120	<b>SG2</b>	R	99	1	<b>NAD-SG3-SG5</b>
	0130	<b>NAD</b>	M	1	1	<b>Name and address</b>

Standard			Implementation	
Tag	Name	St Format	St Format	Usage / Remark
NAD				
3035	Party function code qualifier	M an..3	M an..3	<b>BY Buyer</b>
C082	Party identification details	C	A	
3039	Party identifier	M an..35	M an..35	The involved business entities are identified using a Global Location Number (GLN), a Dun & Bradstreet Number (DUNS), or a mutually agreed identifier. HTI strongly encourages the use of GLN and DUNS numbers.
1131	Code list identification code	C an..17	N	Not used
3055	Code list responsible agency code	C an..3	R an..3	<b>16 US, D&amp;B (Dun &amp; Bradstreet Corporation)</b> <b>9 GS1</b> <b>ZZZ Mutually defined</b>
C058	Name and address	C	N	
3124	Name and address description	M an..35	N	Not used
3124	Name and address description	C an..35	N	Not used
3124	Name and address description	C an..35	N	Not used
3124	Name and address description	C an..35	N	Not used
3124	Name and address description	C an..35	N	Not used
C080	Party name	C	D	
3036	Party name	M an..35	M an..35	Name of the buying party
3036	Party name	C an..35	O an..35	Name of the buying party
3036	Party name	C an..35	N	Not used
3036	Party name	C an..35	N	Not used
3036	Party name	C an..35	N	Not used
3045	Party name format code	C an..3	N	Not used
C059	Street	C	D	Address details such as street or post office box of the buying party.
3042	Street and number or post office box identifier	M an..35	M an..35	Building name/number and street
3042	Street and number or post office box identifier	C an..35	O an..35	Building name/number and street
3042	Street and number or post office box identifier	C an..35	N	Not used
3042	Street and number or post office box identifier	C an..35	N	Not used
3164	City name	C an..35	D an..35	City name of the buying party
C819	Country subdivision details	C	N	
3229	Country subdivision identifier	C an..9	N	Not used
1131	Code list identification code	C an..17	N	Not used
3055	Code list responsible agency code	C an..3	N	Not used
3228	Country subdivision name	C an..70	N	Not used
3251	Postal identification code	C an..17	D an..17	Postal code of the buying party
3207	Country identifier	C an..3	D an..3	Used to provide the country of the business partner. ISO 3166 2-Alpha Codes shall be used.

**Remark:**

Used to provide details (especially ID, name, address) about the buyer party.

No = Consecutive segment number  
 MaxOcc = Maximum occurrence of the segment/group  
 Counter = Counter of segment/group within the standard

St = Status  
 EDIFACT: M=Mandatory, C=Conditional  
 User specific: R=Required, O=Optional, D=Dependent,  
 A=Advised, N=Not used

Delivery addresses are provided on line item level only.

**Example:**

NAD+BY+8059173491216::9++LEITNER SPA+Gabriel Leitner Straße 1+STERZING++39049+IT'

No = Consecutive segment number  
MaxOcc = Maximum occurrence of the segment/group  
Counter = Counter of segment/group within the standard

St = Status  
EDIFACT: M=Mandatory, C=Conditional  
User specific: R=Required, O=Optional, D=Dependent,  
A=Advised, N=Not used

Counter	No	Tag	St	MaxOcc	Level	Name
0160		<b>SG3</b>	C	99	2	RFF
0170	10	<b>RFF</b>	M	1	2	Reference

Standard			Implementation	
Tag	Name	St Format	St Format	Usage / Remark
RFF				
C506	Reference	M	M	
1153	Reference code qualifier	M an..3	M an..3	<b>AHL Creditor's reference number</b> Creditor's reference number. This is the number, by which HTI is known at the supplier's side. Must occur with the NAD+BY segment.
1154	Reference identifier	C an..70	R an..70	The reference number.
1156	Document line identifier	C an..6	N	Not used
1056	Version identifier	C an..9	N	Not used
1060	Revision identifier	C an..6	N	Not used

**Remark:**

This segment is used to specify the creditor's reference number. This is the number, by which HTI is known at the supplier's side.

**Example:**

RFF+AHL:212223'

No = Consecutive segment number  
 MaxOcc = Maximum occurrence of the segment/group  
 Counter = Counter of segment/group within the standard

St = Status  
 EDIFACT: M=Mandatory, C=Conditional  
 User specific: R=Required, O=Optional, D=Dependent,  
 A=Advised, N=Not used



Counter	No	Tag	St	MaxOcc	Level	Name
	0220	<b>SG5</b>	C	5	2	<b>CTA-COM</b>
	0230	11 <b>CTA</b>	M	1	2	<b>Contact information</b>

Standard			Implementation	
Tag	Name	St Format	St Format	Usage / Remark
CTA				
3139	Contact function code	C an..3	M an..3	<b>IC Information contact</b> The contact at the buyer's side.
C056	Contact details	C	C	
3413	Contact identifier	C an..17	N	Not used
3412	Contact name	C an..256	M an..256	The first name and last name of the contact person.

**Remark:**

This segment is used to provide details about the buyer's contact person.

**Example:**

CTA+IC+:Jane Doe'

No = Consecutive segment number  
 MaxOcc = Maximum occurrence of the segment/group  
 Counter = Counter of segment/group within the standard

St = Status  
 EDIFACT: M=Mandatory, C=Conditional  
 User specific: R=Required, O=Optional, D=Dependent,  
 A=Advised, N=Not used

Counter	No	Tag	St	MaxOcc	Level	Name
	0220	<b>SG5</b>	C	5	2	<b>CTA-COM</b>
	0240	12 <b>COM</b>	C	5	3	<b>Communication contact</b>

Standard			Implementation	
Tag	Name	St Format	St Format	Usage / Remark
COM				
C076	Communication contact	M	M	
3148	Communication address identifier	M an..512	M an..512	Communication Details.
3155	Communication means type code	M an..3	M an..3	<b>EM Electronic mail</b> <b>FX Telefax</b> <b>TE Telephone</b>

**Remark:**

The communication details of the contact person.

**Example:**

COM+(0039) 4720 112234-5:TE'  
 COM+(0039) 4720 112234-99:FX'  
 COM+jane.doe@leitner.com:EM'

No = Consecutive segment number  
 MaxOcc = Maximum occurrence of the segment/group  
 Counter = Counter of segment/group within the standard

St = Status  
 EDIFACT: M=Mandatory, C=Conditional  
 User specific: R=Required, O=Optional, D=Dependent,  
 A=Advised, N=Not used



Counter	No	Tag	St	MaxOcc	Level	Name
	0120	<b>SG2</b>	R	99	1	<b>NAD-SG3-SG5</b>
	0130	<b>NAD</b>	M	1	1	<b>Name and address</b>

Standard			Implementation	
Tag	Name	St Format	St Format	Usage / Remark
NAD				
3035	Party function code qualifier	M an..3	M an..3	<b>SU Supplier</b>
C082	Party identification details	C	A	
3039	Party identifier	M an..35	M an..35	The involved business entities are identified using a Global Location Number (GLN), a Dun & Bradstreet Number (DUNS), or a mutually agreed identifier. HTI strongly encourages the use of GLN and DUNS numbers.
1131	Code list identification code	C an..17	N	Not used
3055	Code list responsible agency code	C an..3	R an..3	<b>16 US, D&amp;B (Dun &amp; Bradstreet Corporation)</b> <b>9 GS1</b> <b>ZZZ Mutually defined</b>
C058	Name and address	C	N	
3124	Name and address description	M an..35	N	Not used
3124	Name and address description	C an..35	N	Not used
3124	Name and address description	C an..35	N	Not used
3124	Name and address description	C an..35	N	Not used
3124	Name and address description	C an..35	N	Not used
C080	Party name	C	D	
3036	Party name	M an..35	M an..35	Name of the supplying party
3036	Party name	C an..35	O an..35	Name of the supplying party
3036	Party name	C an..35	N	Not used
3036	Party name	C an..35	N	Not used
3036	Party name	C an..35	N	Not used
3045	Party name format code	C an..3	N	Not used
C059	Street	C	D	Address details such as street or post office box of the supplying party.
3042	Street and number or post office box identifier	M an..35	M an..35	Building name/number and street
3042	Street and number or post office box identifier	C an..35	O an..35	Building name/number and street
3042	Street and number or post office box identifier	C an..35	N	Not used
3042	Street and number or post office box identifier	C an..35	N	Not used
3164	City name	C an..35	D an..35	City name of the supplying party
C819	Country subdivision details	C	N	
3229	Country subdivision identifier	C an..9	N	Not used
1131	Code list identification code	C an..17	N	Not used
3055	Code list responsible agency code	C an..3	N	Not used
3228	Country subdivision name	C an..70	N	Not used
3251	Postal identification code	C an..17	D an..17	Postal code of the supplying party
3207	Country identifier	C an..3	D an..3	Used to provide the country of the business partner. ISO 3166 2-Alpha Codes shall be used.

**Remark:**

Used to provide details (especially ID, name, address) about the supplier party.

No = Consecutive segment number  
MaxOcc = Maximum occurrence of the segment/group  
Counter = Counter of segment/group within the standard

St = Status  
EDIFACT: M=Mandatory, C=Conditional  
User specific: R=Required, O=Optional, D=Dependent,  
A=Advised, N=Not used

Delivery addresses are provided on line item level only.

**Example:**

NAD+SU+96385274198765::9++DOE Constructions+Sample Street 1+Vienna++1170+AT'

No = Consecutive segment number  
MaxOcc = Maximum occurrence of the segment/group  
Counter = Counter of segment/group within the standard

St = Status  
EDIFACT: M=Mandatory, C=Conditional  
User specific: R=Required, O=Optional, D=Dependent,  
A=Advised, N=Not used

Counter	No	Tag	St	MaxOcc	Level	Name
0160		<b>SG3</b>	C	99	2	RFF
0170	14	<b>RFF</b>	M	1	2	Reference

Standard			Implementation	
Tag	Name	St Format	St Format	Usage / Remark
RFF				
C506	Reference	M	M	
1153	Reference code qualifier	M an..3	M an..3	<b>AHM Debtor's reference number</b> Debtor's reference number. This is the number, by which the supplier is known at HTI's side. Must occur with the NAD+SU segment.
1154	Reference identifier	C an..70	R an..70	The reference number.
1156	Document line identifier	C an..6	N	Not used
1056	Version identifier	C an..9	N	Not used
1060	Revision identifier	C an..6	N	Not used

**Remark:**

This segment is used to specify the debtor's reference number. This is the number, by which the supplier is known at HTI's side.

**Example:**

RFF+AHM:124455'

No = Consecutive segment number  
 MaxOcc = Maximum occurrence of the segment/group  
 Counter = Counter of segment/group within the standard

St = Status  
 EDIFACT: M=Mandatory, C=Conditional  
 User specific: R=Required, O=Optional, D=Dependent,  
 A=Advised, N=Not used



Counter	No	Tag	St	MaxOcc	Level	Name
	0220	<b>SG5</b>	C	5	2	<b>CTA-COM</b>
	0230	15 <b>CTA</b>	M	1	2	<b>Contact information</b>

Standard			Implementation	
Tag	Name	St Format	St Format	Usage / Remark
<b>CTA</b>				
3139	Contact function code	C an..3	M an..3	<b>IC Information contact</b> The contact at the supplier's side.
C056	Contact details	C	C	
3413	Contact identifier	C an..17	N	Not used
3412	Contact name	C an..256	M an..256	The first name and last name of the contact person.

**Remark:**

This segment is used to provide details about the supplier's contact person.

**Example:**

CTA+IC+:Jane Doe'

No = Consecutive segment number  
 MaxOcc = Maximum occurrence of the segment/group  
 Counter = Counter of segment/group within the standard

St = Status  
 EDIFACT: M=Mandatory, C=Conditional  
 User specific: R=Required, O=Optional, D=Dependent,  
 A=Advised, N=Not used



Counter	No	Tag	St	MaxOcc	Level	Name
	0220	<b>SG5</b>	C	5	2	<b>CTA-COM</b>
	0240	16 <b>COM</b>	C	5	3	<b>Communication contact</b>

Standard			Implementation	
Tag	Name	St Format	St Format	Usage / Remark
COM				
C076	Communication contact	M	M	
3148	Communication address identifier	M an..512	M an..512	Communication Details.
3155	Communication means type code	M an..3	M an..3	<b>EM Electronic mail</b> <b>FX Telefax</b> <b>TE Telephone</b>

**Remark:**

The communication details of the contact person.

**Example:**

COM+(0043) 1 4420 112234-5:TE'  
 COM+(0043) 1 4430 112234-99:FX'  
 COM+jane.doe@doe.com:EM'

No = Consecutive segment number  
 MaxOcc = Maximum occurrence of the segment/group  
 Counter = Counter of segment/group within the standard

St = Status  
 EDIFACT: M=Mandatory, C=Conditional  
 User specific: R=Required, O=Optional, D=Dependent,  
 A=Advised, N=Not used

Counter	No	Tag	St	MaxOcc	Level	Name
	0120	<b>SG2</b>	R	99	1	<b>NAD</b>
	0130	17	<b>NAD</b>	M	1	<b>Name and address</b>

Standard			Implementation	
Tag	Name	St Format	St Format	Usage / Remark
NAD				
3035	Party function code qualifier	M an..3	M an..3	<b>IV Invoicee</b>
C082	Party identification details	C	A	
3039	Party identifier	M an..35	M an..35	The involved business entities are identified using a Global Location Number (GLN), a Dun & Bradstreet Number (DUNS), or a mutually agreed identifier. HTI strongly encourages the use of GLN and DUNS numbers.
1131	Code list identification code	C an..17	N	Not used
3055	Code list responsible agency code	C an..3	R an..3	<b>16 US, D&amp;B (Dun &amp; Bradstreet Corporation)</b> <b>9 GS1</b> <b>ZZZ Mutually defined</b>
C058	Name and address	C	N	
3124	Name and address description	M an..35	N	Not used
3124	Name and address description	C an..35	N	Not used
3124	Name and address description	C an..35	N	Not used
3124	Name and address description	C an..35	N	Not used
3124	Name and address description	C an..35	N	Not used
C080	Party name	C	D	
3036	Party name	M an..35	M an..35	Name of the invoice recipient
3036	Party name	C an..35	O an..35	Name of the invoice recipient
3036	Party name	C an..35	N	Not used
3036	Party name	C an..35	N	Not used
3036	Party name	C an..35	N	Not used
3045	Party name format code	C an..3	N	Not used
C059	Street	C	D	Address details such as street or post office box of the invoice recipient.
3042	Street and number or post office box identifier	M an..35	M an..35	Building name/number and street
3042	Street and number or post office box identifier	C an..35	O an..35	Building name/number and street
3042	Street and number or post office box identifier	C an..35	N	Not used
3042	Street and number or post office box identifier	C an..35	N	Not used
3164	City name	C an..35	D an..35	City name of the invoice recipient
C819	Country subdivision details	C	N	
3229	Country subdivision identifier	C an..9	N	Not used
1131	Code list identification code	C an..17	N	Not used
3055	Code list responsible agency code	C an..3	N	Not used
3228	Country subdivision name	C an..70	N	Not used
3251	Postal identification code	C an..17	D an..17	Postal code of the invoice recipient
3207	Country identifier	C an..3	D an..3	Used to provide the country of the business partner. ISO 3166 2-Alpha Codes shall be used.

**Remark:**

Used to provide details (especially ID, name, address) about the invoice recipient.

No = Consecutive segment number  
 MaxOcc = Maximum occurrence of the segment/group  
 Counter = Counter of segment/group within the standard

St = Status  
 EDIFACT: M=Mandatory, C=Conditional  
 User specific: R=Required, O=Optional, D=Dependent,  
 A=Advised, N=Not used

Delivery addresses are provided on line item level only.

**Example:**

NAD+IV+8059173491216::9++LEITNER SPA+Gabriel Leitner Straße 1+Sterzing++39049+IT'

No = Consecutive segment number  
MaxOcc = Maximum occurrence of the segment/group  
Counter = Counter of segment/group within the standard

St = Status  
EDIFACT: M=Mandatory, C=Conditional  
User specific: R=Required, O=Optional, D=Dependent,  
A=Advised, N=Not used

Counter	No	Tag	St	MaxOcc	Level	Name
0290		<b>SG7</b>	R	5	1	<b>CUX</b>
0300	18	<b>CUX</b>	M	1	1	<b>Currencies</b>

Standard			Implementation	
Tag	Name	St Format	St Format	Usage / Remark
<b>CUX</b>				
C504	Currency details	C	C	
6347	Currency usage code qualifier	M an..3	M an..3	<b>2 Reference currency</b>
6345	Currency identification code	C an..3	R an..3	The currency. ISO 4217 three alpha codes shall be used.
6343	Currency type code qualifier	C an..3	N	Not used
6348	Currency rate	C n..4	N	Not used
C504	Currency details	C	N	
6347	Currency usage code qualifier	M an..3	N	Not used
6345	Currency identification code	C an..3	N	Not used
6343	Currency type code qualifier	C an..3	N	Not used
6348	Currency rate	C n..4	N	Not used
5402	Currency exchange rate	C n..12	N	Not used
6341	Exchange rate currency market identifier	C an..3	N	Not used

**Remark:**

This segment is used to specify currency information for the complete order.

**Example:**

CUX+2:EUR'

No = Consecutive segment number  
 MaxOcc = Maximum occurrence of the segment/group  
 Counter = Counter of segment/group within the standard

St = Status  
 EDIFACT: M=Mandatory, C=Conditional  
 User specific: R=Required, O=Optional, D=Dependent,  
 A=Advised, N=Not used





Counter	No	Tag	St	MaxOcc	Level	Name
0460		<b>SG12</b>	R	5	1	<b>TOD</b>
0470	19	<b>TOD</b>	M	1	1	<b>Terms of delivery or transport</b>

		Standard	Implementation	
Tag	Name	St Format	St Format	Usage / Remark
TOD				
4055	Delivery or transport terms function code	C an..3	R an..3	<b>6 Delivery condition</b>
4215	Transport charges payment method code	C an..3	N	Not used
C100	Terms of delivery or transport	C	C	
4053	Delivery or transport terms description code	C an..3	M an..3	INCOTERMS
1131	Code list identification code	C an..17	N	Not used
3055	Code list responsible agency code	C an..3	R an..3	<b>4 ICC (International Chamber of Commerce)</b>
4052	Delivery or transport terms description	C an..70	N	Not used
4052	Delivery or transport terms description	C an..70	N	Not used

**Remark:**

This segment is used to specify the terms of delivery for the complete order.

**Example:**

TOD+6++DDP:::4'

No = Consecutive segment number  
 MaxOcc = Maximum occurrence of the segment/group  
 Counter = Counter of segment/group within the standard

St = Status  
 EDIFACT: M=Mandatory, C=Conditional  
 User specific: R=Required, O=Optional, D=Dependent,  
 A=Advised, N=Not used

Counter	No	Tag	St	MaxOcc	Level	Name
	1100	<b>SG29</b>	M	200000	1	<b>LIN-PIA-IMD-QTY-MOA-FTX-SG33-SG34-SG41-SG55</b>
	1110	<b>LIN</b>	M	1	1	<b>Line item</b>

Standard			Implementation	
Tag	Name	St Format	St Format	Usage / Remark
LIN				
1082	Line item identifier	C an..6	C an..6	Application generated number of the count of the order lines. For the receiving systems it is important to correctly process this number including all leading zeros, as this number will later be required for consecutive documents such as ORDCHG and ORDRSP.
1229	Action code	C an..3	N	Not used
C212	Item number identification	C	C	
7140	Item identifier	C an..35	O an..35	The buyer's article number.
7143	Item type identification code	C an..3	O an..3	<b>IN Buyer's item number</b>
1131	Code list identification code	C an..17	N	Not used
3055	Code list responsible agency code	C an..3	N	Not used
C829	Sub-line information	C	N	
5495	Sub-line indicator code	C an..3	N	Not used
1082	Line item identifier	C an..6	N	Not used
1222	Configuration level number	C n..2	N	Not used
7083	Configuration operation code	C an..3	N	Not used

**Remark:**

This segment is used to identify the item being ordered according to a position number. The detail section of the purchase order is formed by a repeating group of segments, always starting with the LIN segment.

**Example:**

LIN+00010++20002417:IN'

No = Consecutive segment number  
 MaxOcc = Maximum occurrence of the segment/group  
 Counter = Counter of segment/group within the standard

St = Status  
 EDIFACT: M=Mandatory, C=Conditional  
 User specific: R=Required, O=Optional, D=Dependent,  
 A=Advised, N=Not used



Counter	No	Tag	St	MaxOcc	Level	Name
	1100	<b>SG29</b>	M	200000	1	<b>LIN-PIA-IMD-QTY-MOA-FTX-SG33-SG34-SG41-SG55</b>
	1120	21 <b>PIA</b>	C	25	2	<b>Additional product id</b>

Standard			Implementation	
Tag	Name	St Format	St Format	Usage / Remark
PIA				
4347	Product identifier code qualifier	M an..3	M an..3	<b>5 Product identification</b>
C212	Item number identification	M	M	
7140	Item identifier	C an..35	R an..35	Product identifier.
7143	Item type identification code	C an..3	R an..3	<b>SA Supplier's article number</b>
1131	Code list identification code	C an..17	N	Not used
3055	Code list responsible agency code	C an..3	N	Not used
C212	Item number identification	C	N	
7140	Item identifier	C an..35	N	Not used
7143	Item type identification code	C an..3	N	Not used
1131	Code list identification code	C an..17	N	Not used
3055	Code list responsible agency code	C an..3	N	Not used
C212	Item number identification	C	N	
7140	Item identifier	C an..35	N	Not used
7143	Item type identification code	C an..3	N	Not used
1131	Code list identification code	C an..17	N	Not used
3055	Code list responsible agency code	C an..3	N	Not used
C212	Item number identification	C	N	
7140	Item identifier	C an..35	N	Not used
7143	Item type identification code	C an..3	N	Not used
1131	Code list identification code	C an..17	N	Not used
3055	Code list responsible agency code	C an..3	N	Not used

**Remark:**

This segment is used to specify the supplier's article number.

**Example:**

PIA+5+12345:SA'

No = Consecutive segment number  
 MaxOcc = Maximum occurrence of the segment/group  
 Counter = Counter of segment/group within the standard

St = Status  
 EDIFACT: M=Mandatory, C=Conditional  
 User specific: R=Required, O=Optional, D=Dependent,  
 A=Advised, N=Not used



Counter	No	Tag	St	MaxOcc	Level	Name
1100		<b>SG29</b>	M	200000	1	<b>LIN-PIA-IMD-QTY-MOA-FTX-SG33-SG34-SG41-SG55</b>
1130	22	<b>IMD</b>	R	99	2	<b>Item description</b>

Standard			Implementation	
Tag	Name	St Format	St Format	Usage / Remark
IMD				
7077	Description format code	C an..3	C an..3	<b>F Free-form</b>
C272	Item characteristic	C	N	
7081	Item characteristic code	C an..3	N	Not used
1131	Code list identification code	C an..17	N	Not used
3055	Code list responsible agency code	C an..3	N	Not used
C273	Item description	C	C	
7009	Item description code	C an..17	N	Not used
1131	Code list identification code	C an..17	N	Not used
3055	Code list responsible agency code	C an..3	N	Not used
7008	Item description	C an..256	C an..256	Item description
7008	Item description	C an..256	C an..256	Item description
3453	Language name code	C an..3	N	Not used
7383	Surface or layer code	C an..3	N	Not used

**Remark:**

This segment is used to describe the current line item in free text form.

**Example:**

IMD+F++:::INTERR.MAG.TERM.63A 4P:10kA CARATTERISTI '

No = Consecutive segment number  
 MaxOcc = Maximum occurrence of the segment/group  
 Counter = Counter of segment/group within the standard

St = Status  
 EDIFACT: M=Mandatory, C=Conditional  
 User specific: R=Required, O=Optional, D=Dependent,  
 A=Advised, N=Not used

Counter	No	Tag	St	MaxOcc	Level	Name
	1100	<b>SG29</b>	M	200000	1	LIN-PIA-IMD-QTY-MOA-FTX-SG33-SG34-SG41-SG55
	1150	23 <b>QTY</b>	R	99	2	Quantity

Standard			Implementation	
Tag	Name	St Format	St Format	Usage / Remark
QTY				
C186	Quantity details	M	M	
6063	Quantity type code qualifier	M an..3	M an..3	<b>21 Ordered quantity</b>
6060	Quantity	M an..35	M an..35	The ordered quantity.
6411	Measurement unit code	C an..8	R an..8	<b>ACT activity</b> <b>BG bag</b> <b>BO bottle</b> <b>C62 one</b> <b>CAN canister</b> <b>CT carton</b> <b>EA each</b> <b>FOT foot</b> <b>FTK square foot</b> <b>GLL gallon (US)</b> <b>INH inch</b> <b>INK square inch</b> <b>KGM kilogram</b> <b>LBR pound</b> <b>LTR litre</b> <b>MLT millilitre</b> <b>MTK square metre</b> <b>MTQ cubic metre</b> <b>MTR metre</b> <b>ONZ ounce</b> <b>PCE pieces</b> <b>PR pair</b> <b>PK pack</b> <b>RO roll</b> <b>STN ton (US) or short ton (UK/US)</b> <b>TNE tonne (metric ton)</b>

**Remark:**

The overall ordered quantity of the given purchase order line item. The exact requested delivery date/ordered item quantity combinations are provided in SG55.

**Example:**

QTY+21 : 325 : PCE '

No = Consecutive segment number  
 MaxOcc = Maximum occurrence of the segment/group  
 Counter = Counter of segment/group within the standard

St = Status  
 EDIFACT: M=Mandatory, C=Conditional  
 User specific: R=Required, O=Optional, D=Dependent,  
 A=Advised, N=Not used



Counter	No	Tag	St	MaxOcc	Level	Name
1100		<b>SG29</b>	M	200000	1	<b>LIN-PIA-IMD-QTY-MOA-FTX-SG33-SG34-SG41-SG55</b>
1190	24	<b>MOA</b>	C	10	2	<b>Monetary amount</b>

Standard			Implementation	
Tag	Name	St Format	St Format	Usage / Remark
MOA				
C516	Monetary amount	M	M	
5025	Monetary amount type code qualifier	M an..3	M an..3	<b>66 Goods item total</b> The total amount (net price x quantity) for one line item.
5004	Monetary amount	C n..35	R n..35	Line item amount
6345	Currency identification code	C an..3	N	Not used
6343	Currency type code qualifier	C an..3	C an..3	<b>9 Order currency</b>
4405	Status description code	C an..3	N	Not used

**Remark:**

This segment specifies the total amount for one line item.

**Example:**

MOA+66:550.50:::9'

No = Consecutive segment number  
 MaxOcc = Maximum occurrence of the segment/group  
 Counter = Counter of segment/group within the standard

St = Status  
 EDIFACT: M=Mandatory, C=Conditional  
 User specific: R=Required, O=Optional, D=Dependent,  
 A=Advised, N=Not used



Counter	No	Tag	St	MaxOcc	Level	Name
1100		<b>SG29</b>	M	200000	1	<b>LIN-PIA-IMD-QTY-MOA-FTX-SG33-SG34-SG41-SG55</b>
1270	25	<b>FTX</b>	C	99	2	<b>Free text</b>

Standard			Implementation	
Tag	Name	St Format	St Format	Usage / Remark
FTX				
4451	Text subject code qualifier	M an..3	M an..3	<b>SAF Safety information</b> 'Safety Level (LS)' for a line item.
4453	Free text function code	C an..3	C an..3	<b>3 Text for immediate use</b>
C107	Text reference	C	N	
4441	Free text description code	M an..17	N	Not used
1131	Code list identification code	C an..17	N	Not used
3055	Code list responsible agency code	C an..3	N	Not used
C108	Text literal	C	C	
4440	Free text	M an..512	M an..512	The safety level code can only be '1' or '2'
4440	Free text	C an..512	N	Not used
4440	Free text	C an..512	N	Not used
4440	Free text	C an..512	N	Not used
4440	Free text	C an..512	N	Not used
3453	Language name code	C an..3	N	Not used
4447	Free text format code	C an..3	N	Not used

**Remark:**

This segment specifies the 'Safety Level (LS)' for a line item.

**Example:**

FTX+SAF+3++1'

No = Consecutive segment number  
 MaxOcc = Maximum occurrence of the segment/group  
 Counter = Counter of segment/group within the standard

St = Status  
 EDIFACT: M=Mandatory, C=Conditional  
 User specific: R=Required, O=Optional, D=Dependent,  
 A=Advised, N=Not used



Counter	No	Tag	St	MaxOcc	Level	Name	
	1100	<b>SG29</b>	M	200000	1	<b>LIN-PIA-IMD-QTY-MOA-FTX-SG33-SG34-SG41-SG55</b>	
	1270	26	<b>FTX</b>	C	99	2	<b>Free text</b>

		Standard	Implementation	
Tag	Name	St Format	St Format	Usage / Remark
<b>FTX</b>				
4451	Text subject code qualifier	M an..3	M an..3	<b>BLR Transport contract document remark</b> The 'Traceability (TR)' information for a line item.
4453	Free text function code	C an..3	C an..3	<b>3 Text for immediate use</b>
C107	Text reference	C	N	
4441	Free text description code	M an..17	N	Not used
1131	Code list identification code	C an..17	N	Not used
3055	Code list responsible agency code	C an..3	N	Not used
C108	Text literal	C	C	
4440	Free text	M an..512	M an..512	The traceability code can only be 'B', 'D' or 'S'
4440	Free text	C an..512	N	Not used
4440	Free text	C an..512	N	Not used
4440	Free text	C an..512	N	Not used
4440	Free text	C an..512	N	Not used
3453	Language name code	C an..3	N	Not used
4447	Free text format code	C an..3	N	Not used

**Remark:**

This segment specifies the 'Traceability (TR)' for a line item.

**Example:**

FTX+BLR+3++S'

No = Consecutive segment number  
 MaxOcc = Maximum occurrence of the segment/group  
 Counter = Counter of segment/group within the standard

St = Status  
 EDIFACT: M=Mandatory, C=Conditional  
 User specific: R=Required, O=Optional, D=Dependent,  
 A=Advised, N=Not used





Counter	No	Tag	St	MaxOcc	Level	Name
1100		<b>SG29</b>	M	200000	1	<b>LIN-PIA-IMD-QTY-MOA-FTX-SG33-SG34-SG41-SG55</b>
1270	27	<b>FTX</b>	C	99	2	<b>Free text</b>

Standard			Implementation	
Tag	Name	St Format	St Format	Usage / Remark
FTX				
4451	Text subject code qualifier	M an..3	M an..3	<b>ACB Additional information</b> The 'Execution Class (EXC)' for a line item
4453	Free text function code	C an..3	C an..3	<b>3 Text for immediate use</b>
C107	Text reference	C	N	
4441	Free text description code	M an..17	N	Not used
1131	Code list identification code	C an..17	N	Not used
3055	Code list responsible agency code	C an..3	N	Not used
C108	Text literal	C	C	
4440	Free text	M an..512	M an..512	The 'execution class (EXC)' of a line item.
4440	Free text	C an..512	N	Not used
4440	Free text	C an..512	N	Not used
4440	Free text	C an..512	N	Not used
4440	Free text	C an..512	N	Not used
3453	Language name code	C an..3	N	Not used
4447	Free text format code	C an..3	N	Not used

**Remark:**

This segment specifies the 'Execution Class (EXC)' for a line item.

**Example:**

FTX+ACB+3++1'

No = Consecutive segment number  
 MaxOcc = Maximum occurrence of the segment/group  
 Counter = Counter of segment/group within the standard

St = Status  
 EDIFACT: M=Mandatory, C=Conditional  
 User specific: R=Required, O=Optional, D=Dependent,  
 A=Advised, N=Not used

Counter	No	Tag	St	MaxOcc	Level	Name
	1100	<b>SG29</b>	M	200000	1	<b>LIN-PIA-IMD-QTY-MOA-FTX-SG33-SG34-SG41-SG55</b>
	1270	<b>FTX</b>	C	99	2	<b>Free text</b>

Standard			Implementation	
Tag	Name	St Format	St Format	Usage / Remark
FTX				
4451	Text subject code qualifier	M an..3	M an..3	<b>PAC Packing/marking information</b> The 'Marking' for a line item.
4453	Free text function code	C an..3	C an..3	<b>3 Text for immediate use</b>
C107	Text reference	C	N	
4441	Free text description code	M an..17	N	Not used
1131	Code list identification code	C an..17	N	Not used
3055	Code list responsible agency code	C an..3	N	Not used
C108	Text literal	C	C	
4440	Free text	M an..512	M an..512	The Marking code can only be 'M' or empty
4440	Free text	C an..512	N	Not used
4440	Free text	C an..512	N	Not used
4440	Free text	C an..512	N	Not used
4440	Free text	C an..512	N	Not used
3453	Language name code	C an..3	N	Not used
4447	Free text format code	C an..3	N	Not used

**Remark:**

This segment specifies the 'Marking' for a line item.

**Example:**

FTX+PAC+3++M'

No = Consecutive segment number  
 MaxOcc = Maximum occurrence of the segment/group  
 Counter = Counter of segment/group within the standard

St = Status  
 EDIFACT: M=Mandatory, C=Conditional  
 User specific: R=Required, O=Optional, D=Dependent,  
 A=Advised, N=Not used



Counter	No	Tag	St	MaxOcc	Level	Name
1100		<b>SG29</b>	M	200000	1	<b>LIN-PIA-IMD-QTY-MOA-FTX-SG33-SG34-SG41-SG55</b>
1270	29	<b>FTX</b>	C	99	2	<b>Free text</b>

		Standard	Implementation	
Tag	Name	St Format	St Format	Usage / Remark
FTX				
4451	Text subject code qualifier	M an..3	M an..3	<b>AAI General information</b>
4453	Free text function code	C an..3	C an..3	<b>3 Text for immediate use</b>
C107	Text reference	C	N	
4441	Free text description code	M an..17	N	Not used
1131	Code list identification code	C an..17	N	Not used
3055	Code list responsible agency code	C an..3	N	Not used
C108	Text literal	C	C	
4440	Free text	M an..512	M an..512	
4440	Free text	C an..512	C an..512	
4440	Free text	C an..512	C an..512	
4440	Free text	C an..512	C an..512	
4440	Free text	C an..512	C an..512	
3453	Language name code	C an..3	N	Not used
4447	Free text format code	C an..3	N	Not used

**Remark:**

Used to provide additional free text information for the ordered item.

**Example:**

FTX+AAI+3++Free text 1 with maximum length 512:Free text 2 with maximum length 512:Free text 3 with maximum length 512:Free text 4 with maximum length 512:Free text 5 with maximum length 512'

No = Consecutive segment number  
 MaxOcc = Maximum occurrence of the segment/group  
 Counter = Counter of segment/group within the standard

St = Status  
 EDIFACT: M=Mandatory, C=Conditional  
 User specific: R=Required, O=Optional, D=Dependent,  
 A=Advised, N=Not used

Counter	No	Tag	St	MaxOcc	Level	Name	
	1390	<b>SG33</b>	C	25	2	<b>PRI</b>	
	1400	30	<b>PRI</b>	M	1	2	<b>Price details</b>

Standard			Implementation	
Tag	Name	St Format	St Format	Usage / Remark
PRI				
C509	Price information	C	C	
5125	Price code qualifier	M an..3	M an..3	<b>AAA Calculation net</b>
5118	Price amount	C n..15	R n..15	
5375	Price type code	C an..3	N	Not used
5387	Price specification code	C an..3	N	Not used
5284	Unit price basis quantity	C n..9	R n..9	
6411	Measurement unit code	C an..8	M an..8	<b>ACT activity</b> <b>BG bag</b> <b>BO bottle</b> <b>C62 one</b> <b>CAN canister</b> <b>CT carton</b> <b>EA each</b> <b>FOT foot</b> <b>FTK square foot</b> <b>GLL gallon (US)</b> <b>INH inch</b> <b>INK square inch</b> <b>KGM kilogram</b> <b>LBR pound</b> <b>LTR litre</b> <b>MLT millilitre</b> <b>MTK square metre</b> <b>MTQ cubic metre</b> <b>MTR metre</b> <b>ONZ ounce</b> <b>PCE pieces</b> <b>PR pair</b> <b>PK pack</b> <b>RO roll</b> <b>STN ton (US) or short ton (UK/US)</b> <b>TNE tonne (metric ton)</b>
5213	Sub-line item price change operation code	C an..3	N	Not used

**Remark:**

This segment is used to detail the price for the current product identified in the LIN segment. The provided price is the calculation net price, which is the price with allowances/surcharges.

**Example:**

PRI+AAA:4385.90:::1:PCE'

No = Consecutive segment number  
 MaxOcc = Maximum occurrence of the segment/group  
 Counter = Counter of segment/group within the standard

St = Status  
 EDIFACT: M=Mandatory, C=Conditional  
 User specific: R=Required, O=Optional, D=Dependent,  
 A=Advised, N=Not used



Counter	No	Tag	St	MaxOcc	Level	Name
1450		<b>SG34</b>	C	9999	2	RFF-DTM
1460	31	<b>RFF</b>	M	1	2	Reference

Standard			Implementation	
Tag	Name	St Format	St Format	Usage / Remark
RFF				
C506	Reference	M	M	
1153	Reference code qualifier	M an..3	M an..3	<b>BC Buyer's contract number</b>
1154	Reference identifier	C an..70	R an..70	The contract number.
1156	Document line identifier	C an..6	R an..6	The referenced line item number.
1056	Version identifier	C an..9	N	Not used
1060	Revision identifier	C an..6	N	Not used

**Remark:**

This segment is used to provide a reference to the underlying contract document and the line item number in the contract.

**Example:**

RFF+BC:200004711:00010'

No = Consecutive segment number  
 MaxOcc = Maximum occurrence of the segment/group  
 Counter = Counter of segment/group within the standard

St = Status  
 EDIFACT: M=Mandatory, C=Conditional  
 User specific: R=Required, O=Optional, D=Dependent,  
 A=Advised, N=Not used



Counter	No	Tag	St	MaxOcc	Level	Name
1450		<b>SG34</b>	C	9999	2	RFF-DTM
1470	32	<b>DTM</b>	C	5	3	Date/time/period

Standard			Implementation	
Tag	Name	St Format	St Format	Usage / Remark
DTM				
C507	Date/time/period	M	M	
2005	Date or time or period function code qualifier	M an..3	M an..3	<b>92 Contract effective date</b>
2380	Date or time or period text	C an..35	M an..35	
2379	Date or time or period format code	C an..3	M an..3	<b>102 CCYYMMDD</b>

**Remark:**

This segment is used to provide the date, when the contract became effective.

**Example:**

DTM+92:20181012:102'

No = Consecutive segment number  
 MaxOcc = Maximum occurrence of the segment/group  
 Counter = Counter of segment/group within the standard

St = Status  
 EDIFACT: M=Mandatory, C=Conditional  
 User specific: R=Required, O=Optional, D=Dependent,  
 A=Advised, N=Not used

Counter	No	Tag	St	MaxOcc	Level	Name
	1740	<b>SG41</b>	R	999	2	<b>NAD-LOC</b>
	1750	<b>NAD</b>	M	1	2	<b>Name and address</b>

		Standard	Implementation	
Tag	Name	St Format	St Format	Usage / Remark
NAD				
3035	Party function code qualifier	M an..3	M an..3	<b>DP Delivery party</b>
C082	Party identification details	C	C	
3039	Party identifier	M an..35	M an..35	The involved business entities are identified using a Global Location Number (GLN), a Dun & Bradstreet Number (DUNS), or a mutually agreed identifier. HTI strongly encourages the use of GLN and DUNS numbers.
1131	Code list identification code	C an..17	N	Not used
3055	Code list responsible agency code	C an..3	M an..3	<b>16 US, D&amp;B (Dun &amp; Bradstreet Corporation)</b> <b>9 GS1</b> <b>ZZZ Mutually defined</b>
C058	Name and address	C	N	
3124	Name and address description	M an..35	N	Not used
3124	Name and address description	C an..35	N	Not used
3124	Name and address description	C an..35	N	Not used
3124	Name and address description	C an..35	N	Not used
3124	Name and address description	C an..35	N	Not used
C080	Party name	C	D	
3036	Party name	M an..35	M an..35	Delivery party name
3036	Party name	C an..35	O an..35	Delivery party name
3036	Party name	C an..35	N	Not used
3036	Party name	C an..35	N	Not used
3036	Party name	C an..35	N	Not used
3045	Party name format code	C an..3	N	Not used
C059	Street	C	D	
3042	Street and number or post office box identifier	M an..35	M an..35	Building name/number and street
3042	Street and number or post office box identifier	C an..35	O an..35	Building name/number and street
3042	Street and number or post office box identifier	C an..35	N	Not used
3042	Street and number or post office box identifier	C an..35	N	Not used
3164	City name	C an..35	D an..35	City name of the delivery party
C819	Country subdivision details	C	N	
3229	Country subdivision identifier	C an..9	N	Not used
1131	Code list identification code	C an..17	N	Not used
3055	Code list responsible agency code	C an..3	N	Not used
3228	Country subdivision name	C an..70	N	Not used
3251	Postal identification code	C an..17	D an..17	Postal code of the delivery party
3207	Country identifier	C an..3	D an..3	Used to provide the country of the business partner. ISO3166 2-Alpha Codes shall be used.

**Remark:**

Used to provide the delivery address of the given purchase order item.

**Example:**

No = Consecutive segment number  
 MaxOcc = Maximum occurrence of the segment/group  
 Counter = Counter of segment/group within the standard

St = Status  
 EDIFACT: M=Mandatory, C=Conditional  
 User specific: R=Required, O=Optional, D=Dependent,  
 A=Advised, N=Not used

# HTI-ORDERS



NAD+DP+8059173491216::9++LEITNER SPA+Gabriel Leitner Straße 1+STERZING++39049+IT'

No = Consecutive segment number  
MaxOcc = Maximum occurrence of the segment/group  
Counter = Counter of segment/group within the standard

St = Status  
EDIFACT: M=Mandatory, C=Conditional  
User specific: R=Required, O=Optional, D=Dependent,  
A=Advised, N=Not used





Counter	No	Tag	St	MaxOcc	Level	Name
	1740	<b>SG41</b>	R	999	2	<b>NAD-LOC</b>
	1760	<b>LOC</b>	R	5	3	<b>Place/location identification</b>

Standard			Implementation	
Tag	Name	St Format	St Format	Usage / Remark
LOC				
3227	Location function code qualifier	M an..3	M an..3	<b>7 Place of delivery</b>
C517	Location identification	C	C	
3225	Location identifier	C an..35	C an..35	Storage location identifier
1131	Code list identification code	C an..17	N	Not used
3055	Code list responsible agency code	C an..3	C an..3	<b>92 Assigned by buyer or buyer's agent</b>
3224	Location name	C an..256	N	Not used
C519	Related location one identification	C	N	
3223	First related location identifier	C an..35	N	Not used
1131	Code list identification code	C an..17	N	Not used
3055	Code list responsible agency code	C an..3	N	Not used
3222	First related location name	C an..70	N	Not used
C553	Related location two identification	C	N	
3233	Second related location identifier	C an..35	N	Not used
1131	Code list identification code	C an..17	N	Not used
3055	Code list responsible agency code	C an..3	N	Not used
3232	Second related location name	C an..70	N	Not used
5479	Relation code	C an..3	N	Not used

**Remark:**

Used to provide the HTI factory code (storage location), i.e. the plant where the goods shall be delivered.

**Example:**

LOC+7+0001::92'

No = Consecutive segment number  
 MaxOcc = Maximum occurrence of the segment/group  
 Counter = Counter of segment/group within the standard

St = Status  
 EDIFACT: M=Mandatory, C=Conditional  
 User specific: R=Required, O=Optional, D=Dependent,  
 A=Advised, N=Not used



Counter	No	Tag	St	MaxOcc	Level	Name
	2190	<b>SG55</b>	R	100	2	<b>SCC-SG56</b>
	2200	35 <b>SCC</b>	M	1	2	<b>Scheduling conditions</b>

Standard			Implementation	
Tag	Name	St Format	St Format	Usage / Remark
<b>SCC</b>				
4017	Delivery plan commitment level code	M an..3	M an..3	<b>1 Firm</b>
4493	Delivery instruction code	C an..3	N	Not used
C329	Pattern description	C	N	
2013	Frequency code	C an..3	N	Not used
2015	Despatch pattern code	C an..3	N	Not used
2017	Despatch pattern timing code	C an..3	N	Not used

**Remark:**

Provides a list of QTY/DTM combinations, indicating the requested delivery amounts and delivery dates of the given order line item. (--- in case of a split of delivery dates for a specific line item in the purchase order)

**Example:**

SCC+1'  
 QTY+21:5698:PCE'  
 DTM+2:20181008:102'  
 SCC+1'  
 QTY+21:345:PCE'  
 DTM+2:20181010:102'

No = Consecutive segment number  
 MaxOcc = Maximum occurrence of the segment/group  
 Counter = Counter of segment/group within the standard

St = Status  
 EDIFACT: M=Mandatory, C=Conditional  
 User specific: R=Required, O=Optional, D=Dependent,  
 A=Advised, N=Not used

Counter	No	Tag	St	MaxOcc	Level	Name
	2230	<b>SG56</b>	R	10	3	<b>QTY-DTM</b>
	2240	<b>36 QTY</b>	M	1	3	<b>Quantity</b>

Standard			Implementation	
Tag	Name	St Format	St Format	Usage / Remark
QTY				
C186	Quantity details	M	M	
6063	Quantity type code qualifier	M an..3	M an..3	<b>21 Ordered quantity</b>
6060	Quantity	M an..35	M an..35	The ordered quantity
6411	Measurement unit code	C an..8	R an..8	<b>ACT activity</b> <b>BG bag</b> <b>BO bottle</b> <b>C62 one</b> <b>CAN canister</b> <b>CT carton</b> <b>EA each</b> <b>FOT foot</b> <b>FTK square foot</b> <b>GLL gallon (US)</b> <b>INH inch</b> <b>INK square inch</b> <b>KGM kilogram</b> <b>LBR pound</b> <b>LTR litre</b> <b>MLT millilitre</b> <b>MTK square metre</b> <b>MTQ cubic metre</b> <b>MTR metre</b> <b>ONZ ounce</b> <b>PCE pieces</b> <b>PR pair</b> <b>PK pack</b> <b>RO roll</b> <b>STN ton (US) or short ton (UK/US)</b> <b>TNE tonne (metric ton)</b>

**Remark:**  
Used to provide the quantity, which is to be delivered at a certain date.

**Example:**  
QTY+21:5698:PCE'

No = Consecutive segment number  
 MaxOcc = Maximum occurrence of the segment/group  
 Counter = Counter of segment/group within the standard

St = Status  
 EDIFACT: M=Mandatory, C=Conditional  
 User specific: R=Required, O=Optional, D=Dependent,  
 A=Advised, N=Not used



Counter	No	Tag	St	MaxOcc	Level	Name
	2230	<b>SG56</b>	R	10	3	<b>QTY-DTM</b>
	2250	<b>DTM</b>	M	5	4	<b>Date/time/period</b>

Standard			Implementation	
Tag	Name	St Format	St Format	Usage / Remark
DTM				
C507	Date/time/period	M	M	
2005	Date or time or period function code qualifier	M an..3	M an..3	<b>2 Delivery date/time, requested</b> The requested delivery date/time.
2380	Date or time or period text	C an..35	C an..35	Date value
2379	Date or time or period format code	C an..3	C an..3	<b>102 CCYYMMDD</b>

**Remark:**

Used to provide the date for the requested quantity.

**Example:**

DTM+2:20181008:102'

No = Consecutive segment number  
 MaxOcc = Maximum occurrence of the segment/group  
 Counter = Counter of segment/group within the standard

St = Status  
 EDIFACT: M=Mandatory, C=Conditional  
 User specific: R=Required, O=Optional, D=Dependent,  
 A=Advised, N=Not used

Counter	No	Tag	St	MaxOcc	Level	Name
2490	38	<b>UNS</b>	M	1	0	Section control

Standard			Implementation	
Tag	Name	St Format	St Format	Usage / Remark
UNS				
0081	Section identification	M a1	M a1	<b>S Detail/summary section separation</b>

**Remark:**

This segment is used to separate the detail and summary sections of the message.

**Example:**

UNS+S'

No = Consecutive segment number  
 MaxOcc = Maximum occurrence of the segment/group  
 Counter = Counter of segment/group within the standard

St = Status  
 EDIFACT: M=Mandatory, C=Conditional  
 User specific: R=Required, O=Optional, D=Dependent,  
 A=Advised, N=Not used



Counter	No	Tag	St	MaxOcc	Level	Name
2500	39	<b>MOA</b>	C	99	1	<b>Monetary amount</b>

Standard			Implementation	
Tag	Name	St Format	St Format	Usage / Remark
MOA				
C516	Monetary amount	M	M	
5025	Monetary amount type code qualifier	M an..3	M an..3	<b>79 Total line items amount</b> The sum of all the line item amounts.
5004	Monetary amount	C n..35	R n..35	The total amount
6345	Currency identification code	C an..3	N	Not used
6343	Currency type code qualifier	C an..3	C an..3	<b>9 Order currency</b>
4405	Status description code	C an..3	N	Not used

**Remark:**

This segment is used to specify the total amounts for the whole order message.

**Example:**

MOA+79:1375.50::9'

No = Consecutive segment number  
 MaxOcc = Maximum occurrence of the segment/group  
 Counter = Counter of segment/group within the standard

St = Status  
 EDIFACT: M=Mandatory, C=Conditional  
 User specific: R=Required, O=Optional, D=Dependent,  
 A=Advised, N=Not used



Counter	No	Tag	St	MaxOcc	Level	Name
2560	40	<b>UNT</b>	M	1	0	<b>Message trailer</b>

Standard			Implementation	
Tag	Name	St Format	St Format	Usage / Remark
UNT				
0074	Number of segments in the message	M n..6	M n..6	The total number of segments in the message is detailed here.
0062	Message reference number	M an..14	M an..14	The message reference number detailed here should equal the one specified in the UNH segment.

**Remark:**

This segment is a mandatory UN/EDIFACT segment. It must always be the last segment in the message.

**Example:**

UNT+193+PO4711'

No = Consecutive segment number  
 MaxOcc = Maximum occurrence of the segment/group  
 Counter = Counter of segment/group within the standard

St = Status  
 EDIFACT: M=Mandatory, C=Conditional  
 User specific: R=Required, O=Optional, D=Dependent,  
 A=Advised, N=Not used



Counter	No	Tag	St	MaxOcc	Level	Name
0000	41	<b>UNZ</b>	M	1	0	Interchange trailer

Standard			Implementation	
Tag	Name	St Format	St Format	Usage / Remark
UNZ				
0036	Interchange control count	M n..6	M n..6	Number of messages or functional groups within an interchange.
0020	Interchange control reference	M an..14	M an..14	Identical to DE 0020 in UNB segment.

**Remark:**

This segment is used to provide the trailer of an interchange. It is the last segment of an EDIFACT interchange file.

**Example:**

UNZ+1+4 677 '

No = Consecutive segment number  
 MaxOcc = Maximum occurrence of the segment/group  
 Counter = Counter of segment/group within the standard

St = Status  
 EDIFACT: M=Mandatory, C=Conditional  
 User specific: R=Required, O=Optional, D=Dependent,  
 A=Advised, N=Not used