



High Technology Industries

Message Implementation Guideline

HTI-ORDRSP

based on

ORDRSP

Purchase order response message

UN D.07A S3

Version: D07A

Variant: 1.2

Issue date: 07.12.2018

Author: ecosio GmbH

1 Message Structure.....	3
2 Branching Diagram	5
3 Segments	12

Structure / Table of Contents

Counter	No	Tag	St	MaxOcc	Level	Content
0000	1	UNA	C	1	0	Service string advice
0000	2	UNB	M	1	0	Interchange header
0010	3	UNH	M	1	0	Message header
0020	4	BGM	M	1	0	Beginning of message
0030	5	DTM	M	35	1	Date/time/period
0090		SG1	C	9999	1	RFF-DTM
0100	6	RFF	M	1	1	Reference
0110	7	DTM	C	5	2	Date/time/period
0090		SG1	C	9999	1	RFF
0100	8	RFF	C	1	1	Reference
0090		SG1	C	9999	1	RFF
0100	9	RFF	C	1	1	Reference
0150		SG3	R	99	1	NAD-SG4-SG6
0160	10	NAD	M	1	1	Name and address
0190		SG4	C	99	2	RFF
0200	11	RFF	M	1	2	Reference
0250		SG6	C	5	2	CTA-COM
0260	12	CTA	M	1	2	Contact information
0270	13	COM	C	5	3	Communication contact
0150		SG3	R	99	1	NAD-SG4-SG6
0160	14	NAD	M	1	1	Name and address
0190		SG4	C	99	2	RFF
0200	15	RFF	M	1	2	Reference
0250		SG6	C	5	2	CTA-COM
0260	16	CTA	M	1	2	Contact information
0270	17	COM	C	5	3	Communication contact
0150		SG3	R	99	1	NAD
0160	18	NAD	M	1	1	Name and address
0320		SG8	R	5	1	CUX
0330	19	CUX	M	1	1	Currencies
0460		SG12	R	5	1	TOD
0470	20	TOD	M	1	1	Terms of delivery or transport
1040		SG27	M	200000	1	LIN-PIA-IMD-QTY-MOA-FTX-FTX-FTX-FTX-FTX-SG31-SG32-SG39-SG53
1050	21	LIN	M	1	1	Line item
1060	22	PIA	C	25	2	Additional product id
1070	23	IMD	R	99	2	Item description
1090	24	QTY	R	99	2	Quantity

Counter = Counter of segment/group within the standard
 No = Consecutive segment number
 MaxOcc = Maximum occurrence of the segment/group

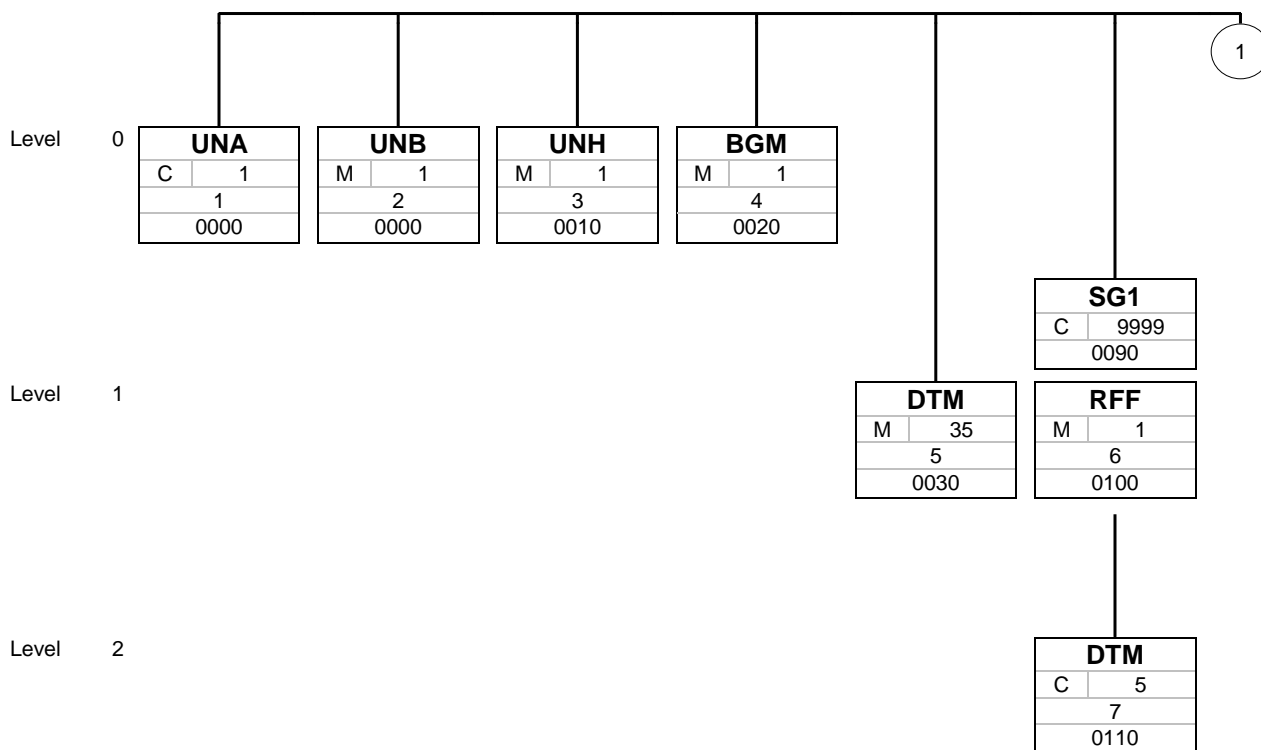
St = Status
 EDIFACT: M=Mandatory, C=Conditional
 User specific: R=Required, O=Optional, D=Dependent,
 A=Advised, N=Not used

Counter	No	Tag	St	MaxOcc	Level	Content
1130	25	MOA	C	10	2	Monetary amount
1210	26	FTX	C	99	2	Free text
1210	27	FTX	C	99	2	Free text
1210	28	FTX	C	99	2	Free text
1210	29	FTX	C	99	2	Free text
1210	30	FTX	C	99	2	Free text
1340		SG31	C	25	2	PRI
1350	31	PRI	M	1	2	Price details
1400		SG32	C	9999	2	RFF-DTM
1410	32	RFF	M	1	2	Reference
1420	33	DTM	C	5	3	Date/time/period
1670		SG39	C	999	2	NAD-LOC
1680	34	NAD	M	1	2	Name and address
1690	35	LOC	C	5	3	Place/location identification
2120		SG53	R	100	2	SCC-SG54
2130	36	SCC	M	1	2	Scheduling conditions
2160		SG54	R	10	3	QTY-DTM
2170	37	QTY	R	1	3	Quantity
2180	38	DTM	C	5	4	Date/time/period
2360	39	UNS	M	1	0	Section control
2370	40	MOA	C	12	1	Monetary amount
2430	41	UNT	M	1	0	Message trailer
0000	42	UNZ	M	1	0	Interchange trailer

Counter = Counter of segment/group within the standard
 No = Consecutive segment number
 MaxOcc = Maximum occurrence of the segment/group

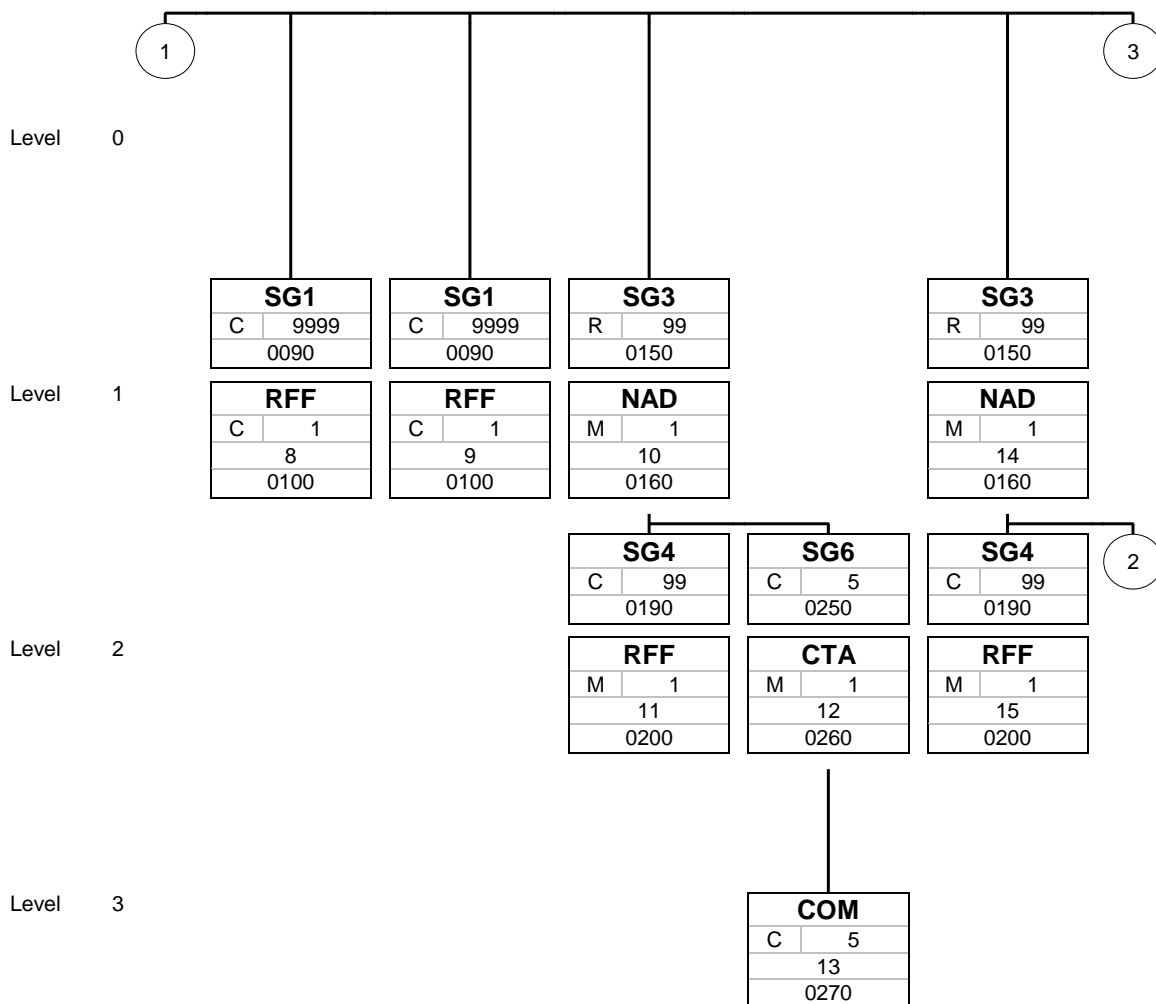
St = Status
 EDIFACT: M=Mandatory, C=Conditional
 User specific: R=Required, O=Optional, D=Dependent,
 A=Advised, N=Not used

Branching Diagram of Used Segments/Groups



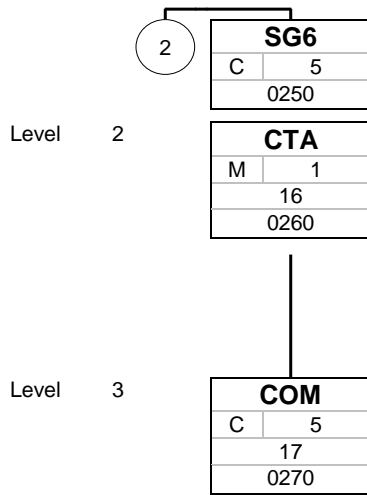
Tag
St MaxOcc
No
Counter

Tag = Segment/Group Tag
 St = Status (M=Mandatory, C=Conditional, R=Required, O=Optional, A=Advised, D=Dependent)
 MaxOcc = Maximum occurrence of the segment/group
 No = Consecutive segment number
 Counter = Counter of segment/group within the standard



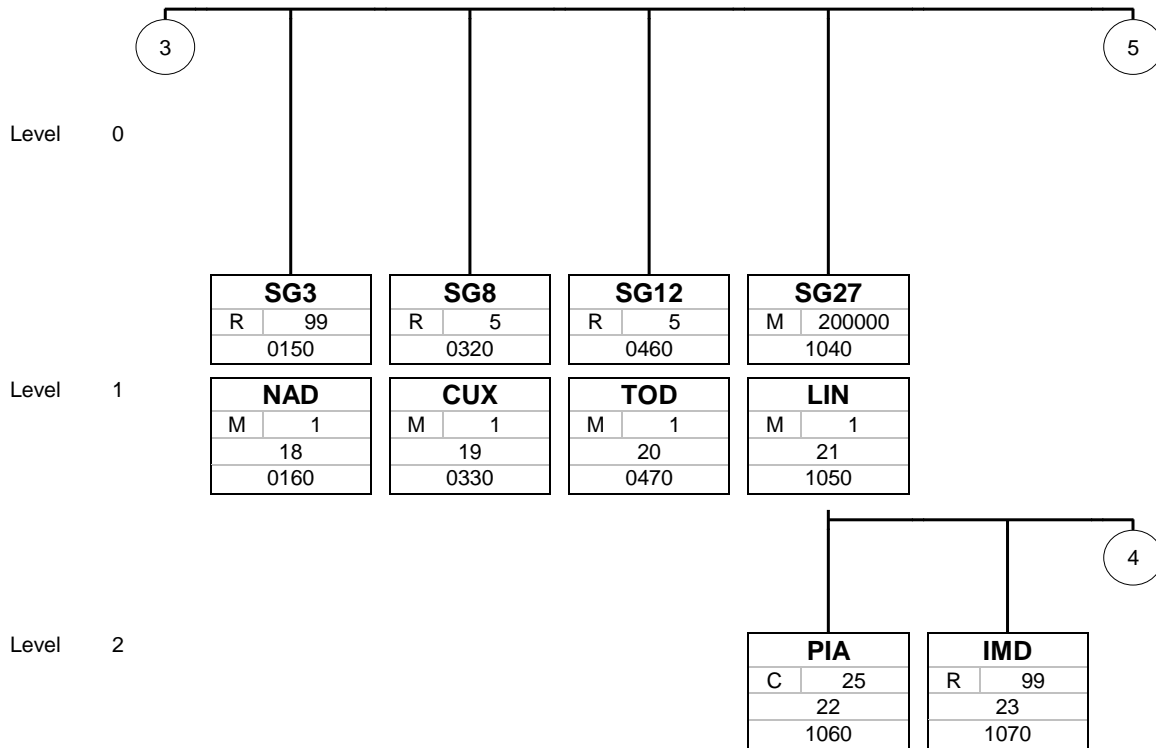
Tag
St MaxOcc
No
Counter

Tag = Segment/Group Tag
 St = Status (M=Mandatory, C=Conditional, R=Required, O=Optional, A=Advised, D=Dependent)
 MaxOcc = Maximum occurrence of the segment/group
 No = Consecutive segment number
 Counter = Counter of segment/group within the standard



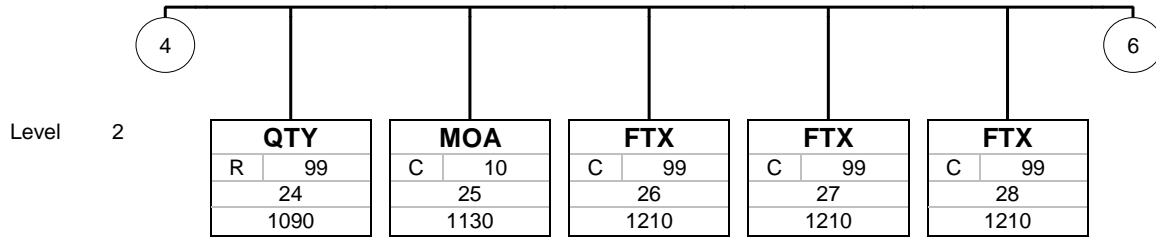
Tag
St MaxOcc
No
Counter

Tag = Segment/Group Tag
 St = Status (M=Mandatory, C=Conditional, R=Required, O=Optional, A=Advised, D=Dependent)
 MaxOcc = Maximum occurrence of the segment/group
 No = Consecutive segment number
 Counter = Counter of segment/group within the standard



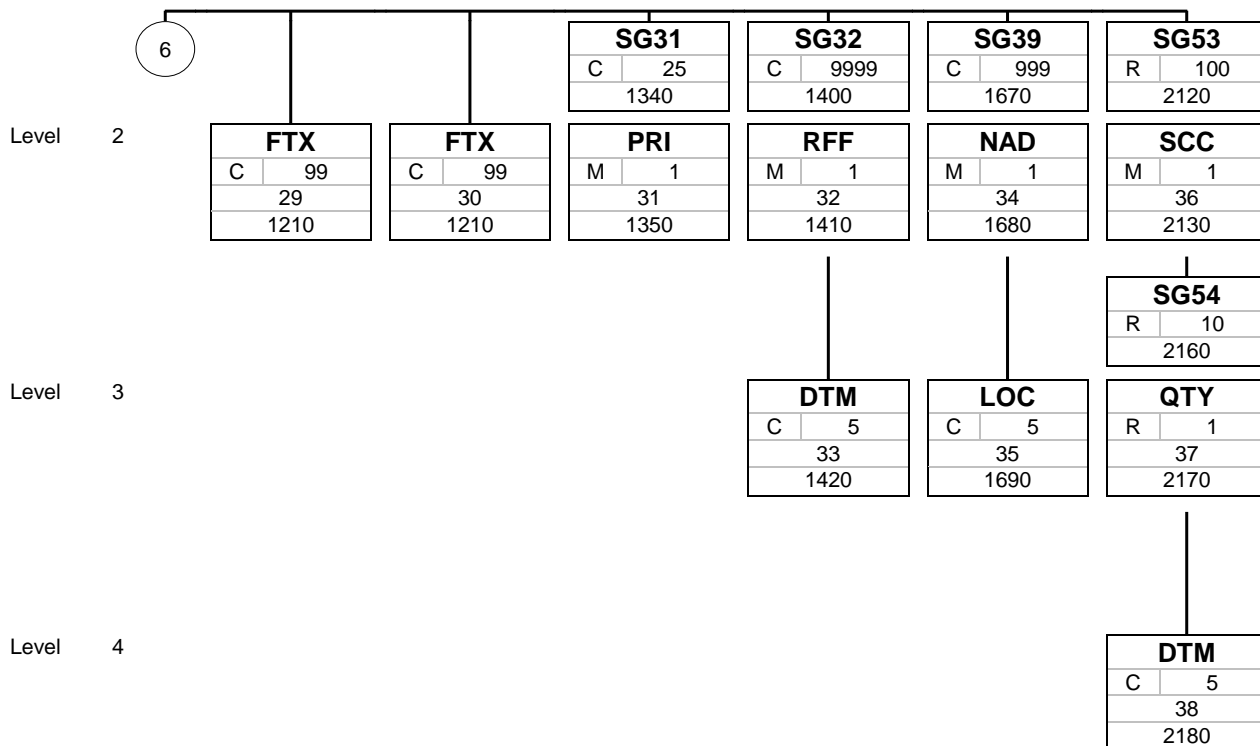
Tag
St MaxOcc
No
Counter

Tag = Segment/Group Tag
 St = Status (M=Mandatory, C=Conditional, R=Required, O=Optional, A=Advised, D=Dependent)
 MaxOcc = Maximum occurrence of the segment/group
 No = Consecutive segment number
 Counter = Counter of segment/group within the standard



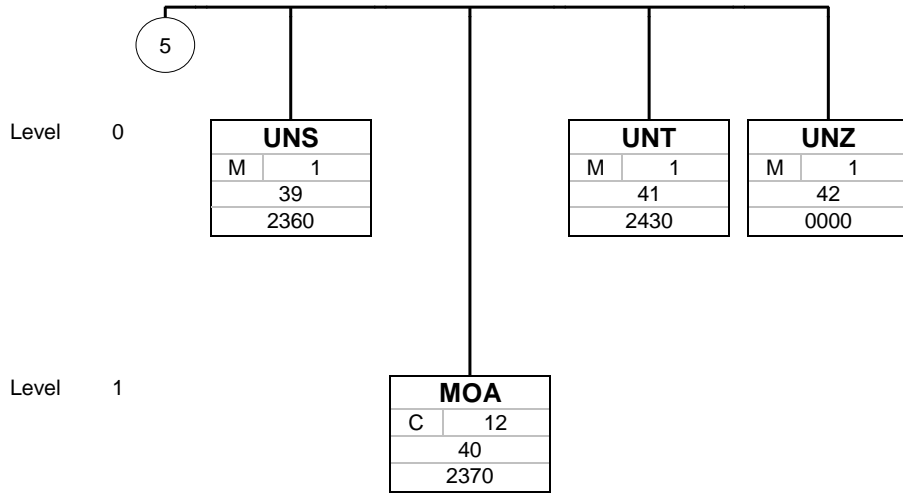
Tag
St MaxOcc
No
Counter

Tag = Segment/Group Tag
 St = Status (M=Mandatory, C=Conditional, R=Required, O=Optional, A=Advised, D=Dependent)
 MaxOcc = Maximum occurrence of the segment/group
 No = Consecutive segment number
 Counter = Counter of segment/group within the standard



Tag
St MaxOcc
No
Counter

Tag = Segment/Group Tag
 St = Status (M=Mandatory, C=Conditional, R=Required, O=Optional, A=Advised, D=Dependent)
 MaxOcc = Maximum occurrence of the segment/group
 No = Consecutive segment number
 Counter = Counter of segment/group within the standard



Tag
St MaxOcc
No
Counter

Tag = Segment/Group Tag
 St = Status (M=Mandatory, C=Conditional, R=Required, O=Optional, A=Advised, D=Dependent)
 MaxOcc = Maximum occurrence of the segment/group
 No = Consecutive segment number
 Counter = Counter of segment/group within the standard



Segments

Counter	No	Tag	St	MaxOcc	Level	Name
0000	1	UNA	C	1	0	Service string advice

		Standard	Implementation		
Tag	Name	St Format	St Format	Usage / Remark	
UNA					
UNA1	Component data element separator	M an1	M an1	Used as a separator between component data elements contained within a composite data element (default value: ":")	
UNA2	Data element separator	M an1	M an1	Used to separate two simple or composite data elements (default value: "+")	
UNA3	Decimal notation	M an1	M an1	Used to indicate the character used for decimal notation (default value: ".")	
UNA4	Release indicator	M an1	M an1	Used to restore any service character to its original specification (value: "?").	
UNA5	Reserved for future use	M an1	M an1	(default value: space)	
UNA6	Segment terminator	M an1	M an1	Used to indicate the end of segment data (default value: "'")	

Remark:

Provides details about the special characters used in the message.

Example:

UNA: + . ? ' '

No = Consecutive segment number
 MaxOcc = Maximum occurrence of the segment/group
 Counter = Counter of segment/group within the standard

St = Status
 EDIFACT: M=Mandatory, C=Conditional
 User specific: R=Required, O=Optional, D=Dependent,
 A=Advised, N=Not used

Counter	No	Tag	St	MaxOcc	Level	Name
0000	2	UNB	M	1	0	Interchange header

Standard			Implementation		
Tag	Name	St Format	St Format	Usage / Remark	
UNB					
S001	Syntax identifier	M	M		
0001	Syntax identifier	M a4	M a4	The encoding of the message. Always ISO-8859-1 UNOC UN/EDC level C	
0002	Syntax version number	M n1	M n1	3 Version 3	
S002	Interchange sender	M	M		
0004	Sender identification	M an..35	M an..35	Sender of the EDIFACT message. Identified using a Global Location Number (GLN), a Dun & Bradstreet Number (DUNS), or a mutually agreed identifier. HTI strongly encourages the use of GLN and DUNS numbers.	
0007	Partner identification code qualifier	C an..4	R an..4	01 DUNS (Data Universal Numbering System) 14 GS1 ZZ Mutually defined	
0008	Address for reverse routing	C an..14	N	Not used	
S003	Interchange recipient	M	M		
0010	Recipient identification	M an..35	M an..35	Recipient of the EDIFACT message. Identified using a Global Location Number (GLN), a Dun & Bradstreet Number (DUNS), or a mutually agreed identifier. HTI strongly encourages the use of GLN and DUNS numbers.	
0007	Partner identification code qualifier	C an..4	R an..4	01 DUNS (Data Universal Numbering System) 14 GS1 ZZ Mutually defined	
0014	Routing address	C an..14	N	Not used	
S004	Date/time of preparation	M	M		
0017	Date of preparation	M n6	M n6	YYMMDD	
0019	Time of preparation	M n4	M n4	HHMM	
0020	Interchange control reference	M an..14	M an..14	Unique reference identifying the interchange. Created by the sender's system. In order to allow for an easy lookup of interchange numbers in case of message disputes, it is encouraged that interchange reference numbers are unique per sender/receiver combination. Usually this means, that auto increment numbers shall be used.	
S005	Recipient's reference, password	C	N		
0022	Recipient's reference/password	M an..14	N	Not used	
0025	Recipient's reference/password qualifier	C an2	N	Not used	
0026	Application reference	C an..14	N	Not used	
0029	Processing priority code	C a1	N	Not used	
0031	Acknowledgement request	C n1	N	Not used	
0032	Communications agreement ID	C an..35	N	Not used	
0035	Test indicator	C n1	O n1	If set to 1, it indicates that the given message is a test message and shall not be processed in the production system of the message recipient. 1 Interchange is a test	

Remark:

This segment is used to envelope the interchange, as well as to identify both, the party to whom the interchange is sent and the party who has sent the interchange. The principle of the UNB segment is the same as a physical envelope which covers one or more letters or documents, and which details, both the address where delivery is to take place and the address from where the envelope

No = Consecutive segment number
MaxOcc = Maximum occurrence of the segment/group
Counter = Counter of segment/group within the standard

St = Status
EDIFACT: M=Mandatory, C=Conditional
User specific: R=Required, O=Optional, D=Dependent,
A=Advised, N=Not used

has come.

Example:

UNB+UNOC:3+12345678912345:14+8059173490004:14+181002:1644+4677+++++1'

No = Consecutive segment number
MaxOcc = Maximum occurrence of the segment/group
Counter = Counter of segment/group within the standard

St = Status
EDIFACT: M=Mandatory, C=Conditional
User specific: R=Required, O=Optional, D=Dependent,
A=Advised, N=Not used

Counter	No	Tag	St	MaxOcc	Level	Name
0010	3	UNH	M	1	0	Message header

Standard			Implementation	
Tag	Name	St Format	St Format	Usage / Remark
UNH				
0062	Message reference number	M an..14	M an..14	Sender's unique message reference. Sequence number of the messages in the interchange. DE 0062 in the UNT will be exactly the same. Sender generated.
S009	Message identifier	M	M	
0065	Message type	M an..6	M an..6	ORDRSP Purchase order response message
0052	Message version number	M an..3	M an..3	D Draft version/UN/EDIFACT Directory
0054	Message release number	M an..3	M an..3	07A Release 2007 - A
0051	Controlling agency	M an..2	M an..2	UN UN/CEFACT
0057	Association assigned code	C an..6	N	Not used
0068	Common access reference	C an..35	N	Not used
S010	Status of the transfer	C	N	
0070	Sequence of transfers	M n..2	N	Not used
0073	First and last transfer	C a1	N	Not used

Remark:

This segment is used to head, identify and specify a message.

Example:

UNH+471112345+ORDRSP:D:07A:UN'

No = Consecutive segment number
 MaxOcc = Maximum occurrence of the segment/group
 Counter = Counter of segment/group within the standard

St = Status
 EDIFACT: M=Mandatory, C=Conditional
 User specific: R=Required, O=Optional, D=Dependent,
 A=Advised, N=Not used



Counter	No	Tag	St	MaxOcc	Level	Name
0020	4	BGM	M	1	0	Beginning of message

Standard			Implementation	
Tag	Name	St Format	St Format	Usage / Remark
BGM				
C002	Document/message name	C	R	
1001	Document name code	C an..3	R an..3	231 Purchase order response
1131	Code list identification code	C an..17	N	Not used
3055	Code list responsible agency code	C an..3	N	Not used
1000	Document name	C an..35	N	Not used
C106	Document/message identification	C	R	
1004	Document identifier	C an..35	R an..35	Purchase order response number assigned by document sender.
1056	Version identifier	C an..9	N	Not used
1060	Revision identifier	C an..6	N	Not used
1225	Message function code	C an..3	R an..3	9 Original 4 Change The message function of a purchase order response. This function is used to indicate whether this is the first order response message (9) or whether this is a second, third, etc. purchase order response (4). A supplier may issue multiple purchase order response messages to HTI in order to indicate changes in the acknowledged purchase order items. What kind of change actually occurred is outlined using the action code in the LIN segment.
4343	Response type code	C an..3	N	Not used

Remark:

This segment is used to indicate the type and function of a message and to transmit the identifying number.

Example:

BGM+231+471112345+9'

No = Consecutive segment number
MaxOcc = Maximum occurrence of the segment/group
Counter = Counter of segment/group within the standard

St = Status
EDIFACT: M=Mandatory, C=Conditional
User specific: R=Required, O=Optional, D=Dependent,
A=Advised, N=Not used

Counter	No	Tag	St	MaxOcc	Level	Name
0030	5	DTM	M	35	1	Date/time/period

Standard			Implementation	
Tag	Name	St Format	St Format	Usage / Remark
DTM				
C507	Date/time/period	M	M	
2005	Date or time or period function code qualifier	M an..3	M an..3	137 Document issue date time
2380	Date or time or period text	C an..35	R an..35	The actual date value.
2379	Date or time or period format code	C an..3	R an..3	102 CCYYMMDD

Remark:

This segment specifies the date when the document was issued.

Example:

DTM+137:20181002:102'

No = Consecutive segment number
 MaxOcc = Maximum occurrence of the segment/group
 Counter = Counter of segment/group within the standard

St = Status
 EDIFACT: M=Mandatory, C=Conditional
 User specific: R=Required, O=Optional, D=Dependent,
 A=Advised, N=Not used



Counter	No	Tag	St	MaxOcc	Level	Name
0090		SG1	C	9999	1	RFF-DTM
0100	6	RFF	M	1	1	Reference

Standard			Implementation	
Tag	Name	St Format	St Format	Usage / Remark
RFF				
C506	Reference	M	M	
1153	Reference code qualifier	M an..3	M an..3	ON Order document identifier, buyer assigned
1154	Reference identifier	C an..70	C an..70	The number of the original purchase order, which is the basis for this purchase order response document.
1156	Document line identifier	C an..6	N	Not used
1056	Version identifier	C an..9	N	Not used
1060	Revision identifier	C an..6	N	Not used

Remark:

This segment is used to provide a reference to the original purchase order document, for which this purchase order response document is issued.

Example:

RFF+ON:PO4711'

No = Consecutive segment number
 MaxOcc = Maximum occurrence of the segment/group
 Counter = Counter of segment/group within the standard

St = Status
 EDIFACT: M=Mandatory, C=Conditional
 User specific: R=Required, O=Optional, D=Dependent,
 A=Advised, N=Not used

Counter	No	Tag	St	MaxOcc	Level	Name
0090		SG1	C	9999	1	RFF-DTM
0110	7	DTM	C	5	2	Date/time/period

Standard			Implementation	
Tag	Name	St Format	St Format	Usage / Remark
DTM				
C507	Date/time/period	M	M	
2005	Date or time or period function code qualifier	M an..3	M an..3	171 Reference date/time
2380	Date or time or period text	C an..35	C an..35	Date value
2379	Date or time or period format code	C an..3	C an..3	102 CCYYMMDD

Remark:
This segment provides the date of the original purchase order.

Example:
DTM+171:20181002:102'

No = Consecutive segment number
MaxOcc = Maximum occurrence of the segment/group
Counter = Counter of segment/group within the standard

St = Status
EDIFACT: M=Mandatory, C=Conditional
User specific: R=Required, O=Optional, D=Dependent,
A=Advised, N=Not used



Counter	No	Tag	St	MaxOcc	Level	Name
0090		SG1	C	9999	1	RFF
0100	8	RFF	C	1	1	Reference

Standard			Implementation	
Tag	Name	St Format	St Format	Usage / Remark
RFF				
C506	Reference	M	M	
1153	Reference code qualifier	M an..3	M an..3	AEP Project number The project specific CUP for this ORDERS message.
1154	Reference identifier	C an..70	R an..15	CUP. The code must have 15 alphanumeric characters.
1156	Document line identifier	C an..6	N	Not used
1056	Version identifier	C an..9	N	Not used
1060	Revision identifier	C an..6	N	Not used

Remark:

Codice Unico di Progetto (CUP, engl. unique project code) - for Italian public project announcements.

Example:

RFF+AEP:C11G0600000001'

No = Consecutive segment number
 MaxOcc = Maximum occurrence of the segment/group
 Counter = Counter of segment/group within the standard

St = Status
 EDIFACT: M=Mandatory, C=Conditional
 User specific: R=Required, O=Optional, D=Dependent,
 A=Advised, N=Not used

Counter	No	Tag	St	MaxOcc	Level	Name
0090		SG1	C	9999	1	RFF
0100	9	RFF	C	1	1	Reference

Standard			Implementation	
Tag	Name	St Format	St Format	Usage / Remark
RFF				
C506	Reference	M	M	
1153	Reference code qualifier	M an..3	M an..3	AGI Request number The project specific CIG for this ORDERS message.
1154	Reference identifier	C an..70	R an..10	CIG. The code must have 10 alphanumeric characters.
1156	Document line identifier	C an..6	N	Not used
1056	Version identifier	C an..9	N	Not used
1060	Revision identifier	C an..6	N	Not used

Remark:

Codice Identificativo Gara (CIG, engl. tender identification code) - for Italian public project announcements.

Example:

RFF+AGI:ABCDE12345'

No = Consecutive segment number
 MaxOcc = Maximum occurrence of the segment/group
 Counter = Counter of segment/group within the standard

St = Status
 EDIFACT: M=Mandatory, C=Conditional
 User specific: R=Required, O=Optional, D=Dependent,
 A=Advised, N=Not used

Counter	No	Tag	St	MaxOcc	Level	Name
	0150	SG3	R	99	1	NAD-SG4-SG6
	0160	10	NAD	M	1	Name and address

Standard			Implementation	
Tag	Name	St Format	St Format	Usage / Remark
NAD				
3035	Party function code qualifier	M an..3	M an..3	BY Buyer
C082	Party identification details	C	A	
3039	Party identifier	M an..35	M an..35	The involved business entities are identified using a Global Location Number (GLN), a Dun & Bradstreet Number (DUNS), or a mutually agreed identifier. HTI strongly encourages the use of GLN and DUNS numbers.
1131	Code list identification code	C an..17	N	Not used
3055	Code list responsible agency code	C an..3	R an..3	16 US, D&B (Dun & Bradstreet Corporation) 9 GS1 ZZZ Mutually defined
C058	Name and address	C	N	
3124	Name and address description	M an..35	N	Not used
3124	Name and address description	C an..35	N	Not used
3124	Name and address description	C an..35	N	Not used
3124	Name and address description	C an..35	N	Not used
3124	Name and address description	C an..35	N	Not used
C080	Party name	C	D	
3036	Party name	M an..35	M an..35	Name of the buying party
3036	Party name	C an..35	O an..35	Name of the buying party
3036	Party name	C an..35	N	Not used
3036	Party name	C an..35	N	Not used
3036	Party name	C an..35	N	Not used
3045	Party name format code	C an..3	N	Not used
C059	Street	C	D	Address details such as street or post office box of the buying party.
3042	Street and number or post office box identifier	M an..35	M an..35	Building name/number and street
3042	Street and number or post office box identifier	C an..35	O an..35	Building name/number and street
3042	Street and number or post office box identifier	C an..35	N	Not used
3042	Street and number or post office box identifier	C an..35	N	Not used
3164	City name	C an..35	D an..35	City name of the buying party
C819	Country subdivision details	C	N	
3229	Country subdivision identifier	C an..9	N	Not used
1131	Code list identification code	C an..17	N	Not used
3055	Code list responsible agency code	C an..3	N	Not used
3228	Country subdivision name	C an..70	N	Not used
3251	Postal identification code	C an..17	D an..17	Postal code of the buying party
3207	Country identifier	C an..3	D an..3	Used to provide the country of the business partner. ISO 3166 2-Alpha Codes shall be used.

Remark:

Used to provide details (especially ID, name, address) about the buyer party.

No = Consecutive segment number
MaxOcc = Maximum occurrence of the segment/group
Counter = Counter of segment/group within the standard

St = Status
EDIFACT: M=Mandatory, C=Conditional
User specific: R=Required, O=Optional, D=Dependent,
A=Advised, N=Not used

Delivery addresses are provided on line item level only.

Example:

NAD+BY+8059173491216::9++LEITNER SPA+Gabriel Leitner Straße 1+STERZING++39049+IT'

No = Consecutive segment number
MaxOcc = Maximum occurrence of the segment/group
Counter = Counter of segment/group within the standard

St = Status
EDIFACT: M=Mandatory, C=Conditional
User specific: R=Required, O=Optional, D=Dependent,
A=Advised, N=Not used

Counter	No	Tag	St	MaxOcc	Level	Name
0190		SG4	C	99	2	RFF
0200	11	RFF	M	1	2	Reference

Standard			Implementation	
Tag	Name	St Format	St Format	Usage / Remark
RFF				
C506	Reference	M	M	
1153	Reference code qualifier	M an..3	M an..3	AHL Creditor's reference number Creditor's reference number. This is the number, by which HTI is known at the supplier's side. Must occur with the NAD+BY segment.
1154	Reference identifier	C an..70	R an..70	The reference number.
1156	Document line identifier	C an..6	N	Not used
1056	Version identifier	C an..9	N	Not used
1060	Revision identifier	C an..6	N	Not used

Remark:

This segment is used to specify the creditor's reference number. This is the number, by which HTI is known at the supplier's side.

Example:

RFF+ AHL: 212223'

No = Consecutive segment number
 MaxOcc = Maximum occurrence of the segment/group
 Counter = Counter of segment/group within the standard

St = Status
 EDIFACT: M=Mandatory, C=Conditional
 User specific: R=Required, O=Optional, D=Dependent,
 A=Advised, N=Not used



Counter	No	Tag	St	MaxOcc	Level	Name
	0250	SG6	C	5	2	CTA-COM
	0260	12 CTA	M	1	2	Contact information

Standard			Implementation	
Tag	Name	St Format	St Format	Usage / Remark
CTA				
3139	Contact function code	C an..3	M an..3	IC Information contact The contact at the buyer's side.
C056	Contact details	C	C	
3413	Contact identifier	C an..17	N	Not used
3412	Contact name	C an..256	M an..256	The first name and last name of the contact person.

Remark:

This segment is used to provide details about the buyer's contact person.

Example:

CTA+IC+:Jane Doe'

No = Consecutive segment number
 MaxOcc = Maximum occurrence of the segment/group
 Counter = Counter of segment/group within the standard

St = Status
 EDIFACT: M=Mandatory, C=Conditional
 User specific: R=Required, O=Optional, D=Dependent,
 A=Advised, N=Not used

Counter	No	Tag	St	MaxOcc	Level	Name
	0250	SG6	C	5	2	CTA-COM
	0270	13 COM	C	5	3	Communication contact

Standard			Implementation	
Tag	Name	St Format	St Format	Usage / Remark
COM				
C076	Communication contact	M	M	
3148	Communication address identifier	M an..512	M an..512	Communication Details.
3155	Communication means type code	M an..3	M an..3	EM Electronic mail FX Telefax TE Telephone

Remark:

The communication details of the contact person.

Example:

COM+(0039) 4720 112234-5:TE'
 COM+(0039) 4720 112234-99:FX'
 COM+jane.doe@leitner.com:EM'

No = Consecutive segment number
 MaxOcc = Maximum occurrence of the segment/group
 Counter = Counter of segment/group within the standard

St = Status
 EDIFACT: M=Mandatory, C=Conditional
 User specific: R=Required, O=Optional, D=Dependent,
 A=Advised, N=Not used

Counter	No	Tag	St	MaxOcc	Level	Name
	0150	SG3	R	99	1	NAD-SG4-SG6
	0160	14	NAD	M	1	Name and address

Standard			Implementation	
Tag	Name	St Format	St Format	Usage / Remark
NAD				
3035	Party function code qualifier	M an..3	M an..3	SU Supplier
C082	Party identification details	C	A	
3039	Party identifier	M an..35	M an..35	The involved business entities are identified using a Global Location Number (GLN), a Dun & Bradstreet Number (DUNS), or a mutually agreed identifier. HTI strongly encourages the use of GLN and DUNS numbers.
1131	Code list identification code	C an..17	N	Not used
3055	Code list responsible agency code	C an..3	R an..3	16 US, D&B (Dun & Bradstreet Corporation) 9 GS1 ZZZ Mutually defined
C058	Name and address	C	N	
3124	Name and address description	M an..35	N	Not used
3124	Name and address description	C an..35	N	Not used
3124	Name and address description	C an..35	N	Not used
3124	Name and address description	C an..35	N	Not used
3124	Name and address description	C an..35	N	Not used
C080	Party name	C	D	
3036	Party name	M an..35	M an..35	Name of the supplying party
3036	Party name	C an..35	O an..35	Name of the supplying party
3036	Party name	C an..35	N	Not used
3036	Party name	C an..35	N	Not used
3036	Party name	C an..35	N	Not used
3045	Party name format code	C an..3	N	Not used
C059	Street	C	D	Address details such as street or post office box of the supplying party.
3042	Street and number or post office box identifier	M an..35	M an..35	Building name/number and street
3042	Street and number or post office box identifier	C an..35	O an..35	Building name/number and street
3042	Street and number or post office box identifier	C an..35	N	Not used
3042	Street and number or post office box identifier	C an..35	N	Not used
3164	City name	C an..35	D an..35	City name of the supplying party
C819	Country subdivision details	C	N	
3229	Country subdivision identifier	C an..9	N	Not used
1131	Code list identification code	C an..17	N	Not used
3055	Code list responsible agency code	C an..3	N	Not used
3228	Country subdivision name	C an..70	N	Not used
3251	Postal identification code	C an..17	D an..17	Postal code of the supplying party
3207	Country identifier	C an..3	D an..3	Used to provide the country of the business partner. ISO 3166 2-Alpha Codes shall be used.

Remark:
Used to provide details (especially ID, name, address) about the supplier party.

No = Consecutive segment number
MaxOcc = Maximum occurrence of the segment/group
Counter = Counter of segment/group within the standard

St = Status
EDIFACT: M=Mandatory, C=Conditional
User specific: R=Required, O=Optional, D=Dependent,
A=Advised, N=Not used

Delivery addresses are provided on line item level only.

Example:

NAD+SU+96385274198765::9++ABC Constructions+Sample Street 1+Vienna++1170+AT'

No = Consecutive segment number
MaxOcc = Maximum occurrence of the segment/group
Counter = Counter of segment/group within the standard

St = Status
EDIFACT: M=Mandatory, C=Conditional
User specific: R=Required, O=Optional, D=Dependent,
A=Advised, N=Not used



Counter	No	Tag	St	MaxOcc	Level	Name
0190		SG4	C	99	2	RFF
0200	15	RFF	M	1	2	Reference

Standard			Implementation	
Tag	Name	St Format	St Format	Usage / Remark
RFF				
C506	Reference	M	M	
1153	Reference code qualifier	M an..3	M an..3	AHM Debtor's reference number Debtor's reference number. This is the number, by which the supplier is known at HTI's side. Must occur with the NAD+SU segment.
1154	Reference identifier	C an..70	R an..70	The reference number.
1156	Document line identifier	C an..6	N	Not used
1056	Version identifier	C an..9	N	Not used
1060	Revision identifier	C an..6	N	Not used

Remark:

This segment is used to specify the debtor's reference number. This is the number, by which the supplier is known at HTI's side.

Example:

RFF+AHM:124455'

No = Consecutive segment number
 MaxOcc = Maximum occurrence of the segment/group
 Counter = Counter of segment/group within the standard

St = Status
 EDIFACT: M=Mandatory, C=Conditional
 User specific: R=Required, O=Optional, D=Dependent,
 A=Advised, N=Not used



Counter	No	Tag	St	MaxOcc	Level	Name
	0250	SG6	C	5	2	CTA-COM
	0260	16 CTA	M	1	2	Contact information

Standard			Implementation	
Tag	Name	St Format	St Format	Usage / Remark
CTA				
3139	Contact function code	C an..3	M an..3	IC Information contact The contact at the supplier's side.
C056	Contact details	C	C	
3413	Contact identifier	C an..17	N	Not used
3412	Contact name	C an..256	M an..256	The first name and last name of the contact person.

Remark:

This segment is used to provide details about the supplier's contact person.

Example:

CTA+IC+:Mike Ehrmann'

No = Consecutive segment number
 MaxOcc = Maximum occurrence of the segment/group
 Counter = Counter of segment/group within the standard

St = Status
 EDIFACT: M=Mandatory, C=Conditional
 User specific: R=Required, O=Optional, D=Dependent,
 A=Advised, N=Not used

Counter	No	Tag	St	MaxOcc	Level	Name	
	0250	SG6	C	5	2	CTA-COM	
	0270	17	COM	C	5	3	Communication contact

Standard			Implementation	
Tag	Name	St Format	St Format	Usage / Remark
COM				
C076	Communication contact	M	M	
3148	Communication address identifier	M an..512	M an..512	Communication Details.
3155	Communication means type code	M an..3	M an..3	EM Electronic mail FX Telefax TE Telephone

Remark:

The communication details of the contact person.

Example:

COM+(0043) 1 1234567-5:TE'
 COM+(0043) 1 1234567-99:FX'
 COM+mike.ehrmann@abc.com:EM'

No = Consecutive segment number
 MaxOcc = Maximum occurrence of the segment/group
 Counter = Counter of segment/group within the standard

St = Status
 EDIFACT: M=Mandatory, C=Conditional
 User specific: R=Required, O=Optional, D=Dependent,
 A=Advised, N=Not used

Counter	No	Tag	St	MaxOcc	Level	Name
	0150	SG3	R	99	1	NAD
	0160	18	NAD	M	1	1 Name and address

Standard			Implementation	
Tag	Name	St Format	St Format	Usage / Remark
NAD				
3035	Party function code qualifier	M an..3	M an..3	IV Invoicee
C082	Party identification details	C	A	
3039	Party identifier	M an..35	M an..35	The involved business entities are identified using a Global Location Number (GLN), a Dun & Bradstreet Number (DUNS), or a mutually agreed identifier. HTI strongly encourages the use of GLN and DUNS numbers.
1131	Code list identification code	C an..17	N	Not used
3055	Code list responsible agency code	C an..3	R an..3	16 US, D&B (Dun & Bradstreet Corporation) 9 GS1 ZZZ Mutually defined
C058	Name and address	C	N	
3124	Name and address description	M an..35	N	Not used
3124	Name and address description	C an..35	N	Not used
3124	Name and address description	C an..35	N	Not used
3124	Name and address description	C an..35	N	Not used
3124	Name and address description	C an..35	N	Not used
C080	Party name	C	D	
3036	Party name	M an..35	M an..35	Name of the invoice recipient
3036	Party name	C an..35	O an..35	Name of the invoice recipient
3036	Party name	C an..35	N	Not used
3036	Party name	C an..35	N	Not used
3036	Party name	C an..35	N	Not used
3045	Party name format code	C an..3	N	Not used
C059	Street	C	D	Address details such as street or post office box of the invoice recipient.
3042	Street and number or post office box identifier	M an..35	M an..35	Building name/number and street
3042	Street and number or post office box identifier	C an..35	O an..35	Building name/number and street
3042	Street and number or post office box identifier	C an..35	N	Not used
3042	Street and number or post office box identifier	C an..35	N	Not used
3164	City name	C an..35	D an..35	City name of the invoice recipient
C819	Country subdivision details	C	N	
3229	Country subdivision identifier	C an..9	N	Not used
1131	Code list identification code	C an..17	N	Not used
3055	Code list responsible agency code	C an..3	N	Not used
3228	Country subdivision name	C an..70	N	Not used
3251	Postal identification code	C an..17	D an..17	Postal code of the invoice recipient
3207	Country identifier	C an..3	D an..3	Used to provide the country of the business partner. ISO 3166 2-Alpha Codes shall be used.

Remark:

Used to provide details (especially ID, name, address) about the invoice recipient.

No = Consecutive segment number
 MaxOcc = Maximum occurrence of the segment/group
 Counter = Counter of segment/group within the standard

St = Status
 EDIFACT: M=Mandatory, C=Conditional
 User specific: R=Required, O=Optional, D=Dependent,
 A=Advised, N=Not used

Delivery addresses are provided on line item level only.

Example:

NAD+IV+8059173491216::9++LEITNER SPA+Gabriel Leitner Straße 1+Sterzing++39049+IT'

No = Consecutive segment number
MaxOcc = Maximum occurrence of the segment/group
Counter = Counter of segment/group within the standard

St = Status
EDIFACT: M=Mandatory, C=Conditional
User specific: R=Required, O=Optional, D=Dependent,
A=Advised, N=Not used

Counter	No	Tag	St	MaxOcc	Level	Name	
	0320	SG8	R	5	1	CUX	
	0330	19	CUX	M	1	1	Currencies

Standard			Implementation	
Tag	Name	St Format	St Format	Usage / Remark
CUX				
C504	Currency details	C	C	
6347	Currency usage code qualifier	M an..3	M an..3	2 Reference currency
6345	Currency identification code	C an..3	R an..3	The currency. ISO 4217 three alpha codes shall be used.
6343	Currency type code qualifier	C an..3	N	Not used
6348	Currency rate	C n..4	N	Not used
C504	Currency details	C	N	
6347	Currency usage code qualifier	M an..3	N	Not used
6345	Currency identification code	C an..3	N	Not used
6343	Currency type code qualifier	C an..3	N	Not used
6348	Currency rate	C n..4	N	Not used
5402	Currency exchange rate	C n..12	N	Not used
6341	Exchange rate currency market identifier	C an..3	N	Not used

Remark:

This segment is used to specify currency information for the complete order.

Example:

CUX+2:EUR'

No = Consecutive segment number
 MaxOcc = Maximum occurrence of the segment/group
 Counter = Counter of segment/group within the standard

St = Status
 EDIFACT: M=Mandatory, C=Conditional
 User specific: R=Required, O=Optional, D=Dependent,
 A=Advised, N=Not used

Counter	No	Tag	St	MaxOcc	Level	Name
0460		SG12	R	5	1	TOD
0470	20	TOD	M	1	1	Terms of delivery or transport

		Standard	Implementation		
Tag	Name	St Format	St Format	Usage / Remark	
TOD					
4055	Delivery or transport terms function code	C an..3	R an..3	6 Delivery condition	
4215	Transport charges payment method code	C an..3	N	Not used	
C100	Terms of delivery or transport	C	C		
4053	Delivery or transport terms description code	C an..3	M an..3	INCOTERMS	
1131	Code list identification code	C an..17	N	Not used	
3055	Code list responsible agency code	C an..3	R an..3	4 ICC (International Chamber of Commerce)	
4052	Delivery or transport terms description	C an..70	N	Not used	
4052	Delivery or transport terms description	C an..70	N	Not used	

Remark:

This segment is used to specify the terms of delivery for the complete order.

Example:

TOD+6++DDP:::4'

No = Consecutive segment number
 MaxOcc = Maximum occurrence of the segment/group
 Counter = Counter of segment/group within the standard

St = Status
 EDIFACT: M=Mandatory, C=Conditional
 User specific: R=Required, O=Optional, D=Dependent,
 A=Advised, N=Not used

Counter	No	Tag	St	MaxOcc	Level	Name
1040		SG27	M	200000	1	LIN-PIA-IMD-QTY-MOA-FTX-SG31-SG32-SG39-SG53
1050	21	LIN	M	1	1	Line item

Standard			Implementation	
Tag	Name	St Format	St Format	Usage / Remark
LIN				
1082	Line item identifier	C an..6	C an..6	The number of the acknowledged purchase order item. This number must be taken from the original purchase order/ purchase order change, which was sent by HTI. The number must be exactly the same as in the original document from HTI, otherwise no processing is possible at HTI's side. Thus, all leading zeros etc. must be preserved.
1229	Action code	C an..3	R an..3	Used to indicate the status of the purchase order line item, which shall be communicated using the purchase order response message. 5 Accepted without amendment 6 Accepted with amendment 7 Not accepted
C212	Item number identification	C	C	
7140	Item identifier	C an..35	O an..35	The buyer's article number.
7143	Item type identification code	C an..3	O an..3	IN Buyer's item number
1131	Code list identification code	C an..17	N	Not used
3055	Code list responsible agency code	C an..3	N	Not used
C829	Sub-line information	C	N	
5495	Sub-line indicator code	C an..3	N	Not used
1082	Line item identifier	C an..6	N	Not used
1222	Configuration level number	C n..2	N	Not used
7083	Configuration operation code	C an..3	N	Not used

Remark:

This segment is used to identify the item being ordered according to a position number. The detail section of the purchase order response is formed by a repeating group of segments, always starting with the LIN segment.

Example:

LIN+00010+5+20002417:IN'

No = Consecutive segment number
 MaxOcc = Maximum occurrence of the segment/group
 Counter = Counter of segment/group within the standard

St = Status
 EDIFACT: M=Mandatory, C=Conditional
 User specific: R=Required, O=Optional, D=Dependent,
 A=Advised, N=Not used

Counter	No	Tag	St	MaxOcc	Level	Name
1040		SG27	M	200000	1	LIN-PIA-IMD-QTY-MOA-FTX-SG31-SG32-SG39-SG53
1060	22	PIA	C	25	2	Additional product id

Standard			Implementation	
Tag	Name	St Format	St Format	Usage / Remark
PIA				
4347	Product identifier code qualifier	M an..3	M an..3	5 Product identification
C212	Item number identification	M	M	
7140	Item identifier	C an..35	R an..35	Product identifier.
7143	Item type identification code	C an..3	R an..3	SA Supplier's article number
1131	Code list identification code	C an..17	N	Not used
3055	Code list responsible agency code	C an..3	N	Not used
C212	Item number identification	C	N	
7140	Item identifier	C an..35	N	Not used
7143	Item type identification code	C an..3	N	Not used
1131	Code list identification code	C an..17	N	Not used
3055	Code list responsible agency code	C an..3	N	Not used
C212	Item number identification	C	N	
7140	Item identifier	C an..35	N	Not used
7143	Item type identification code	C an..3	N	Not used
1131	Code list identification code	C an..17	N	Not used
3055	Code list responsible agency code	C an..3	N	Not used
C212	Item number identification	C	N	
7140	Item identifier	C an..35	N	Not used
7143	Item type identification code	C an..3	N	Not used
1131	Code list identification code	C an..17	N	Not used
3055	Code list responsible agency code	C an..3	N	Not used

Remark:

This segment is used to specify the supplier's article number.

Example:

PIA+5+12345:SA'

No = Consecutive segment number
 MaxOcc = Maximum occurrence of the segment/group
 Counter = Counter of segment/group within the standard

St = Status
 EDIFACT: M=Mandatory, C=Conditional
 User specific: R=Required, O=Optional, D=Dependent,
 A=Advised, N=Not used



Counter	No	Tag	St	MaxOcc	Level	Name
1040		SG27	M	200000	1	LIN-PIA-IMD-QTY-MOA-FTX-SG31-SG32-SG39-SG53
1070	23	IMD	R	99	2	Item description

Standard			Implementation	
Tag	Name	St Format	St Format	Usage / Remark
IMD				
7077	Description format code	C an..3	C an..3	F Free-form
C272	Item characteristic	C	N	
7081	Item characteristic code	C an..3	N	Not used
1131	Code list identification code	C an..17	N	Not used
3055	Code list responsible agency code	C an..3	N	Not used
C273	Item description	C	C	
7009	Item description code	C an..17	N	Not used
1131	Code list identification code	C an..17	N	Not used
3055	Code list responsible agency code	C an..3	N	Not used
7008	Item description	C an..256	C an..256	Item description
7008	Item description	C an..256	C an..256	Item description
3453	Language name code	C an..3	N	Not used
7383	Surface or layer code	C an..3	N	Not used

Remark:

This segment is used to describe the current line item in free text form.

Example:

IMD+F++:::INTERR.MAG.TERM.63A 4P:10kA CARATTERISTI '

No = Consecutive segment number
 MaxOcc = Maximum occurrence of the segment/group
 Counter = Counter of segment/group within the standard

St = Status
 EDIFACT: M=Mandatory, C=Conditional
 User specific: R=Required, O=Optional, D=Dependent,
 A=Advised, N=Not used

Counter	No	Tag	St	MaxOcc	Level	Name
1040		SG27	M	200000	1	LIN-PIA-IMD-QTY-MOA-FTX-SG31-SG32-SG39-SG53
1090	24	QTY	R	99	2	Quantity

Standard			Implementation	
Tag	Name	St Format	St Format	Usage / Remark
QTY				
C186	Quantity details	M	M	
6063	Quantity type code qualifier	M an..3	M an..3	21 Ordered quantity
6060	Quantity	M an..35	M an..35	The ordered quantity.
6411	Measurement unit code	C an..8	R an..8	ACT activity BG bag BO bottle C62 one CAN canister CT carton EA each FOT foot FTK square foot GLL gallon (US) INH inch INK square inch KGM kilogram LBR pound LTR litre MLT millilitre MTK square metre MTQ cubic metre MTR metre ONZ ounce PCE pieces PR pair PK pack RO roll STN ton (US) or short ton (UK/US) TNE tonne (metric ton)

Remark:
 The overall ordered quantity of the given purchase order line item. The exact requested delivery date/ordered item quantity combinations are provided in SG53.

Example:
 QTY+21 : 325 : PCE '

No = Consecutive segment number
 MaxOcc = Maximum occurrence of the segment/group
 Counter = Counter of segment/group within the standard

St = Status
 EDIFACT: M=Mandatory, C=Conditional
 User specific: R=Required, O=Optional, D=Dependent,
 A=Advised, N=Not used

Counter	No	Tag	St	MaxOcc	Level	Name
1040		SG27	M	200000	1	LIN-PIA-IMD-QTY-MOA-FTX-SG31-SG32-SG39-SG53
1130	25	MOA	C	10	2	Monetary amount

Standard			Implementation	
Tag	Name	St Format	St Format	Usage / Remark
MOA				
C516	Monetary amount	M	M	
5025	Monetary amount type code qualifier	M an..3	M an..3	66 Goods item total The total amount (net price x quantity) for one line item.
5004	Monetary amount	C n..35	R n..35	Line item amount
6345	Currency identification code	C an..3	N	Not used
6343	Currency type code qualifier	C an..3	C an..3	9 Order currency
4405	Status description code	C an..3	N	Not used

Remark:
This segment specifies the total amount for one line item.

Example:
MOA+66:550.50::9'

No = Consecutive segment number
MaxOcc = Maximum occurrence of the segment/group
Counter = Counter of segment/group within the standard

St = Status
EDIFACT: M=Mandatory, C=Conditional
User specific: R=Required, O=Optional, D=Dependent,
A=Advised, N=Not used

Counter	No	Tag	St	MaxOcc	Level	Name
1040		SG27	M	200000	1	LIN-PIA-IMD-QTY-MOA-FTX-SG31-SG32-SG39-SG53
1210	26	FTX	C	99	2	Free text

Standard			Implementation	
Tag	Name	St Format	St Format	Usage / Remark
FTX				
4451	Text subject code qualifier	M an..3	M an..3	SAF Safety information 'Safety Level (LS)' for a line item.
4453	Free text function code	C an..3	C an..3	3 Text for immediate use
C107	Text reference	C	N	
4441	Free text description code	M an..17	N	Not used
1131	Code list identification code	C an..17	N	Not used
3055	Code list responsible agency code	C an..3	N	Not used
C108	Text literal	C	C	
4440	Free text	M an..512	M an..512	The safety level code can only be '1' or '2'
4440	Free text	C an..512	N	Not used
4440	Free text	C an..512	N	Not used
4440	Free text	C an..512	N	Not used
4440	Free text	C an..512	N	Not used
3453	Language name code	C an..3	N	Not used
4447	Free text format code	C an..3	N	Not used

Remark:

This segment specifies the 'Safety Level (LS)' for a line item.

Example:

FTX+SAF+3++1'

No = Consecutive segment number
 MaxOcc = Maximum occurrence of the segment/group
 Counter = Counter of segment/group within the standard

St = Status
 EDIFACT: M=Mandatory, C=Conditional
 User specific: R=Required, O=Optional, D=Dependent,
 A=Advised, N=Not used



Counter	No	Tag	St	MaxOcc	Level	Name
1040		SG27	M	200000	1	LIN-PIA-IMD-QTY-MOA-FTX-SG31-SG32-SG39-SG53
1210	27	FTX	C	99	2	Free text

		Standard	Implementation	
Tag	Name	St Format	St Format	Usage / Remark
FTX				
4451	Text subject code qualifier	M an..3	M an..3	BLR Transport contract document remark The 'Traceability (TR)' information for a line item.
4453	Free text function code	C an..3	C an..3	3 Text for immediate use
C107	Text reference	C	N	
4441	Free text description code	M an..17	N	Not used
1131	Code list identification code	C an..17	N	Not used
3055	Code list responsible agency code	C an..3	N	Not used
C108	Text literal	C	C	
4440	Free text	M an..512	M an..512	The traceability code can only be 'B', 'D' or 'S'
4440	Free text	C an..512	N	Not used
4440	Free text	C an..512	N	Not used
4440	Free text	C an..512	N	Not used
4440	Free text	C an..512	N	Not used
3453	Language name code	C an..3	N	Not used
4447	Free text format code	C an..3	N	Not used

Remark:

This segment specifies the 'Traceability (TR)' for a line item.

Example:

FTX+BLR+3++S'

No = Consecutive segment number
 MaxOcc = Maximum occurrence of the segment/group
 Counter = Counter of segment/group within the standard

St = Status
 EDIFACT: M=Mandatory, C=Conditional
 User specific: R=Required, O=Optional, D=Dependent,
 A=Advised, N=Not used



Counter	No	Tag	St	MaxOcc	Level	Name
1040		SG27	M	200000	1	LIN-PIA-IMD-QTY-MOA-FTX-SG31-SG32-SG39-SG53
1210	28	FTX	C	99	2	Free text

Standard			Implementation	
Tag	Name	St Format	St Format	Usage / Remark
FTX				
4451	Text subject code qualifier	M an..3	M an..3	ACB Additional information The 'Execution Class (EXC)' for a line item
4453	Free text function code	C an..3	C an..3	3 Text for immediate use
C107	Text reference	C	N	
4441	Free text description code	M an..17	N	Not used
1131	Code list identification code	C an..17	N	Not used
3055	Code list responsible agency code	C an..3	N	Not used
C108	Text literal	C	C	
4440	Free text	M an..512	M an..512	The 'execution class (EXC)' of a line item.
4440	Free text	C an..512	N	Not used
4440	Free text	C an..512	N	Not used
4440	Free text	C an..512	N	Not used
4440	Free text	C an..512	N	Not used
3453	Language name code	C an..3	N	Not used
4447	Free text format code	C an..3	N	Not used

Remark:

This segment specifies the 'Execution Class (EXC)' for a line item.

Example:

FTX+ACB+3++1'

No = Consecutive segment number
 MaxOcc = Maximum occurrence of the segment/group
 Counter = Counter of segment/group within the standard

St = Status
 EDIFACT: M=Mandatory, C=Conditional
 User specific: R=Required, O=Optional, D=Dependent,
 A=Advised, N=Not used

Counter	No	Tag	St	MaxOcc	Level	Name
1040		SG27	M	200000	1	LIN-PIA-IMD-QTY-MOA-FTX-SG31-SG32-SG39-SG53
1210	29	FTX	C	99	2	Free text

Standard			Implementation	
Tag	Name	St Format	St Format	Usage / Remark
FTX				
4451	Text subject code qualifier	M an..3	M an..3	PAC Packing/marking information The 'Marking' for a line item.
4453	Free text function code	C an..3	C an..3	3 Text for immediate use
C107	Text reference	C	N	
4441	Free text description code	M an..17	N	Not used
1131	Code list identification code	C an..17	N	Not used
3055	Code list responsible agency code	C an..3	N	Not used
C108	Text literal	C	C	
4440	Free text	M an..512	M an..512	The Marking code can only be 'M' or empty
4440	Free text	C an..512	N	Not used
4440	Free text	C an..512	N	Not used
4440	Free text	C an..512	N	Not used
4440	Free text	C an..512	N	Not used
3453	Language name code	C an..3	N	Not used
4447	Free text format code	C an..3	N	Not used

Remark:

This segment specifies the 'Marking' for a line item.

Example:

FTX+PAC+3++M'

No = Consecutive segment number
 MaxOcc = Maximum occurrence of the segment/group
 Counter = Counter of segment/group within the standard

St = Status
 EDIFACT: M=Mandatory, C=Conditional
 User specific: R=Required, O=Optional, D=Dependent,
 A=Advised, N=Not used



Counter	No	Tag	St	MaxOcc	Level	Name
1040		SG27	M	200000	1	LIN-PIA-IMD-QTY-MOA-FTX-SG31-SG32-SG39-SG53
1210	30	FTX	C	99	2	Free text

		Standard	Implementation	
Tag	Name	St Format	St Format	Usage / Remark
FTX				
4451	Text subject code qualifier	M an..3	M an..3	AAI General information
4453	Free text function code	C an..3	C an..3	3 Text for immediate use
C107	Text reference	C	N	
4441	Free text description code	M an..17	N	Not used
1131	Code list identification code	C an..17	N	Not used
3055	Code list responsible agency code	C an..3	N	Not used
C108	Text literal	C	C	
4440	Free text	M an..512	M an..512	
4440	Free text	C an..512	C an..512	
4440	Free text	C an..512	C an..512	
4440	Free text	C an..512	C an..512	
4440	Free text	C an..512	C an..512	
3453	Language name code	C an..3	N	Not used
4447	Free text format code	C an..3	N	Not used

Remark:

Used to provide additional free text information for the ordered item.

Example:

FTX+AAI+3++Free text 1 with maximum length 512:Free text 2 with maximum length 512:Free text 3 with maximum length 512:Free text 4 with maximum length 512:Free text 5 with maximum length 512'

No = Consecutive segment number
 MaxOcc = Maximum occurrence of the segment/group
 Counter = Counter of segment/group within the standard

St = Status
 EDIFACT: M=Mandatory, C=Conditional
 User specific: R=Required, O=Optional, D=Dependent,
 A=Advised, N=Not used

Counter	No	Tag	St	MaxOcc	Level	Name	
	1340	SG31	C	25	2	PRI	
	1350	31	PRI	M	1	2	Price details

Standard			Implementation	
Tag	Name	St Format	St Format	Usage / Remark
PRI				
C509	Price information	C	C	
5125	Price code qualifier	M an..3	M an..3	AAA Calculation net
5118	Price amount	C n..15	C n..15	
5375	Price type code	C an..3	N	Not used
5387	Price specification code	C an..3	N	Not used
5284	Unit price basis quantity	C n..9	R n..9	
6411	Measurement unit code	C an..8	M an..8	ACT activity BG bag BO bottle C62 one CAN canister CT carton EA each FOT foot FTK square foot GLL gallon (US) INH inch INK square inch KGM kilogram LBR pound LTR litre MLT millilitre MTK square metre MTQ cubic metre MTR metre ONZ ounce PCE pieces PR pair PK pack RO roll STN ton (US) or short ton (UK/US) TNE tonne (metric ton)
5213	Sub-line item price change operation code	C an..3	N	Not used

Remark:

This segment is used to detail the price for the current product identified in the LIN segment. The provided price is the calculation net price, which is the price with allowances/surcharges.

Example:

PRI+AAA:4385.90:::1:PCE'

No = Consecutive segment number
 MaxOcc = Maximum occurrence of the segment/group
 Counter = Counter of segment/group within the standard

St = Status
 EDIFACT: M=Mandatory, C=Conditional
 User specific: R=Required, O=Optional, D=Dependent,
 A=Advised, N=Not used



Counter	No	Tag	St	MaxOcc	Level	Name
1400		SG32	C	9999	2	RFF-DTM
1410	32	RFF	M	1	2	Reference

Standard			Implementation	
Tag	Name	St Format	St Format	Usage / Remark
RFF				
C506	Reference	M	M	
1153	Reference code qualifier	M an..3	M an..3	BC Buyer's contract number
1154	Reference identifier	C an..70	R an..70	The contract number.
1156	Document line identifier	C an..6	R an..6	The referenced line item number.
1056	Version identifier	C an..9	N	Not used
1060	Revision identifier	C an..6	N	Not used

Remark:

This segment is used to provide a reference to the underlying contract document and the line item number in the contract.

Example:

RFF+BC:200004711:00010'

No = Consecutive segment number
 MaxOcc = Maximum occurrence of the segment/group
 Counter = Counter of segment/group within the standard

St = Status
 EDIFACT: M=Mandatory, C=Conditional
 User specific: R=Required, O=Optional, D=Dependent,
 A=Advised, N=Not used

Counter	No	Tag	St	MaxOcc	Level	Name
1400		SG32	C	9999	2	RFF-DTM
1420	33	DTM	C	5	3	Date/time/period

Standard			Implementation	
Tag	Name	St Format	St Format	Usage / Remark
DTM				
C507	Date/time/period	M	M	
2005	Date or time or period function code qualifier	M an..3	M an..3	92 Contract effective date
2380	Date or time or period text	C an..35	M an..35	
2379	Date or time or period format code	C an..3	M an..3	102 CCYYMMDD

Remark:
This segment is used to provide the date, when the contract became effective.

Example:
DTM+92:20181012:102'

No = Consecutive segment number
MaxOcc = Maximum occurrence of the segment/group
Counter = Counter of segment/group within the standard

St = Status
EDIFACT: M=Mandatory, C=Conditional
User specific: R=Required, O=Optional, D=Dependent,
A=Advised, N=Not used

Counter	No	Tag	St	MaxOcc	Level	Name
1670		SG39	C	999	2	NAD-LOC
1680	34	NAD	M	1	2	Name and address

Standard			Implementation	
Tag	Name	St Format	St Format	Usage / Remark
NAD				
3035	Party function code qualifier	M an..3	M an..3	DP Delivery party
C082	Party identification details	C	C	
3039	Party identifier	M an..35	M an..35	The involved business entities are identified using a Global Location Number (GLN), a Dun & Bradstreet Number (DUNS), or a mutually agreed identifier. HTI strongly encourages the use of GLN and DUNS numbers.
1131	Code list identification code	C an..17	N	Not used
3055	Code list responsible agency code	C an..3	M an..3	16 US, D&B (Dun & Bradstreet Corporation) 9 GS1 ZZZ Mutually defined
C058	Name and address	C	N	
3124	Name and address description	M an..35	N	Not used
3124	Name and address description	C an..35	N	Not used
3124	Name and address description	C an..35	N	Not used
3124	Name and address description	C an..35	N	Not used
3124	Name and address description	C an..35	N	Not used
C080	Party name	C	D	
3036	Party name	M an..35	M an..35	Delivery party name
3036	Party name	C an..35	O an..35	Delivery party name
3036	Party name	C an..35	N	Not used
3036	Party name	C an..35	N	Not used
3036	Party name	C an..35	N	Not used
3045	Party name format code	C an..3	N	Not used
C059	Street	C	D	
3042	Street and number or post office box identifier	M an..35	M an..35	Building name/number and street
3042	Street and number or post office box identifier	C an..35	O an..35	Building name/number and street
3042	Street and number or post office box identifier	C an..35	N	Not used
3042	Street and number or post office box identifier	C an..35	N	Not used
3164	City name	C an..35	D an..35	City name of the delivery party
C819	Country subdivision details	C	N	
3229	Country subdivision identifier	C an..9	N	Not used
1131	Code list identification code	C an..17	N	Not used
3055	Code list responsible agency code	C an..3	N	Not used
3228	Country subdivision name	C an..70	N	Not used
3251	Postal identification code	C an..17	D an..17	Postal code of the delivery party
3207	Country identifier	C an..3	D an..3	Used to provide the country of the business partner. ISO3166 2-Alpha Codes shall be used.

Remark:

Used to provide the delivery address of the given purchase order item.

Example:

No = Consecutive segment number
 MaxOcc = Maximum occurrence of the segment/group
 Counter = Counter of segment/group within the standard

St = Status
 EDIFACT: M=Mandatory, C=Conditional
 User specific: R=Required, O=Optional, D=Dependent,
 A=Advised, N=Not used

NAD+DP+8059173491216::9++LEITNER SPA+Gabriel Leitner Straße 1+STERZING++39049+IT'

No = Consecutive segment number
MaxOcc = Maximum occurrence of the segment/group
Counter = Counter of segment/group within the standard

St = Status
EDIFACT: M=Mandatory, C=Conditional
User specific: R=Required, O=Optional, D=Dependent,
A=Advised, N=Not used

Counter	No	Tag	St	MaxOcc	Level	Name
1670		SG39	C	999	2	NAD-LOC
1690	35	LOC	C	5	3	Place/location identification

Standard			Implementation	
Tag	Name	St Format	St Format	Usage / Remark
LOC				
3227	Location function code qualifier	M an..3	M an..3	7 Place of delivery
C517	Location identification	C	C	
3225	Location identifier	C an..35	C an..35	Storage location identifier
1131	Code list identification code	C an..17	N	Not used
3055	Code list responsible agency code	C an..3	C an..3	92 Assigned by buyer or buyer's agent
3224	Location name	C an..256	N	Not used
C519	Related location one identification	C	N	
3223	First related location identifier	C an..35	N	Not used
1131	Code list identification code	C an..17	N	Not used
3055	Code list responsible agency code	C an..3	N	Not used
3222	First related location name	C an..70	N	Not used
C553	Related location two identification	C	N	
3233	Second related location identifier	C an..35	N	Not used
1131	Code list identification code	C an..17	N	Not used
3055	Code list responsible agency code	C an..3	N	Not used
3232	Second related location name	C an..70	N	Not used
5479	Relation code	C an..3	N	Not used

Remark:

Used to provide the HTI factory code (storage location), i.e. the plant where the goods shall be delivered.

Example:

LOC+7+0001::92'

No = Consecutive segment number
 MaxOcc = Maximum occurrence of the segment/group
 Counter = Counter of segment/group within the standard

St = Status
 EDIFACT: M=Mandatory, C=Conditional
 User specific: R=Required, O=Optional, D=Dependent,
 A=Advised, N=Not used

Counter	No	Tag	St	MaxOcc	Level	Name
	2120	SG53	R	100	2	SCC-SG54
	2130	36 SCC	M	1	2	Scheduling conditions

Standard			Implementation	
Tag	Name	St Format	St Format	Usage / Remark
SCC				
4017	Delivery plan commitment level code	M an..3	M an..3	1 Firm
4493	Delivery instruction code	C an..3	N	Not used
C329	Pattern description	C	N	
2013	Frequency code	C an..3	N	Not used
2015	Despatch pattern code	C an..3	N	Not used
2017	Despatch pattern timing code	C an..3	N	Not used

Remark:

Provides a list of QTY/DTM combinations, indicating the requested delivery amounts and delivery dates of the given order line item. (--- in case of a split of delivery dates for a specific line item in the purchase order)

Example:

```

SCC+1'
QTY+21:5698:PCE'
DTM+2:20181008:102'
SCC+1'
QTY+21:345:PCE'
DTM+2:20181010:102'

```

No = Consecutive segment number
MaxOcc = Maximum occurrence of the segment/group
Counter = Counter of segment/group within the standard

St = Status
EDIFACT: M=Mandatory, C=Conditional
User specific: R=Required, O=Optional, D=Dependent,
A=Advised, N=Not used



Counter	No	Tag	St	MaxOcc	Level	Name
	2160	SG54	R	10	3	QTY-DTM
	2170	37 QTY	R	1	3	Quantity

Standard			Implementation	
Tag	Name	St Format	St Format	Usage / Remark
QTY				
C186	Quantity details	M	M	
6063	Quantity type code qualifier	M an..3	M an..3	21 Ordered quantity
6060	Quantity	M an..35	M an..35	The ordered quantity
6411	Measurement unit code	C an..8	C an..8	ACT activity BG bag BO bottle C62 one CAN canister CT carton EA each FOT foot FTK square foot GLL gallon (US) INH inch INK square inch KGM kilogram LBR pound LTR litre MLT millilitre MTK square metre MTQ cubic metre MTR metre ONZ ounce PCE pieces PR pair PK pack RO roll STN ton (US) or short ton (UK/US) TNE tonne (metric ton)

Remark:

Used to provide the quantity, which is to be delivered at a certain date.

Example:

QTY+21:5698:PCE'

No = Consecutive segment number
 MaxOcc = Maximum occurrence of the segment/group
 Counter = Counter of segment/group within the standard

St = Status
 EDIFACT: M=Mandatory, C=Conditional
 User specific: R=Required, O=Optional, D=Dependent,
 A=Advised, N=Not used



Counter	No	Tag	St	MaxOcc	Level	Name
2160		SG54	R	10	3	QTY-DTM
2180	38	DTM	C	5	4	Date/time/period

Standard			Implementation	
Tag	Name	St Format	St Format	Usage / Remark
DTM				
C507	Date/time/period	M	M	
2005	Date or time or period function code qualifier	M an..3	M an..3	17 Delivery date/time, estimated The estimated delivery date.
2380	Date or time or period text	C an..35	C an..35	Date value
2379	Date or time or period format code	C an..3	C an..3	102 CCYYMMDD

Remark:

Used to provide the estimated delivery date for the requested quantity.

Example:

DTM+2:20181008:102'

No = Consecutive segment number
 MaxOcc = Maximum occurrence of the segment/group
 Counter = Counter of segment/group within the standard

St = Status
 EDIFACT: M=Mandatory, C=Conditional
 User specific: R=Required, O=Optional, D=Dependent,
 A=Advised, N=Not used

Counter	No	Tag	St	MaxOcc	Level	Name
2360	39	UNS	M	1	0	Section control

Standard			Implementation	
Tag	Name	St Format	St Format	Usage / Remark
UNS				
0081	Section identification	M a1	M a1	S Detail/summary section separation

Remark:

This segment is used to separate the detail and summary sections of the message.

Example:

UNS+S'

No = Consecutive segment number
 MaxOcc = Maximum occurrence of the segment/group
 Counter = Counter of segment/group within the standard

St = Status
 EDIFACT: M=Mandatory, C=Conditional
 User specific: R=Required, O=Optional, D=Dependent,
 A=Advised, N=Not used

Counter	No	Tag	St	MaxOcc	Level	Name
2370	40	MOA	C	12	1	Monetary amount

Standard			Implementation	
Tag	Name	St Format	St Format	Usage / Remark
MOA				
C516	Monetary amount	M	M	
5025	Monetary amount type code qualifier	M an..3	M an..3	79 Total line items amount The sum of all the line item amounts.
5004	Monetary amount	C n..35	R n..35	The total amount
6345	Currency identification code	C an..3	N	Not used
6343	Currency type code qualifier	C an..3	C an..3	9 Order currency
4405	Status description code	C an..3	N	Not used

Remark:

This segment is used to specify the total amounts for the whole order response message.

Example:

MOA+79:1375.50::9'

No = Consecutive segment number
 MaxOcc = Maximum occurrence of the segment/group
 Counter = Counter of segment/group within the standard

St = Status
 EDIFACT: M=Mandatory, C=Conditional
 User specific: R=Required, O=Optional, D=Dependent,
 A=Advised, N=Not used



Counter	No	Tag	St	MaxOcc	Level	Name
2430	41	UNT	M	1	0	Message trailer

Standard			Implementation	
Tag	Name	St Format	St Format	Usage / Remark
UNT				
0074	Number of segments in the message	M n..6	M n..6	The total number of segments in the message is detailed here.
0062	Message reference number	M an..14	M an..14	The message reference number detailed here should equal the one specified in the UNH segment.

Remark:

This segment is a mandatory UN/EDIFACT segment. It must always be the last segment in the message.

Example:

UNT+193+PO4711'

No = Consecutive segment number
 MaxOcc = Maximum occurrence of the segment/group
 Counter = Counter of segment/group within the standard

St = Status
 EDIFACT: M=Mandatory, C=Conditional
 User specific: R=Required, O=Optional, D=Dependent,
 A=Advised, N=Not used



Counter	No	Tag	St	MaxOcc	Level	Name
0000	42	UNZ	M	1	0	Interchange trailer

Standard			Implementation	
Tag	Name	St Format	St Format	Usage / Remark
UNZ				
0036	Interchange control count	M n..6	M n..6	Number of messages or functional groups within an interchange.
0020	Interchange control reference	M an..14	M an..14	Identical to DE 0020 in UNB segment.

Remark:

This segment is used to provide the trailer of an interchange. It is the last segment of an EDIFACT interchange file.

Example:

UNZ+1+4 677 '

No = Consecutive segment number
 MaxOcc = Maximum occurrence of the segment/group
 Counter = Counter of segment/group within the standard

St = Status
 EDIFACT: M=Mandatory, C=Conditional
 User specific: R=Required, O=Optional, D=Dependent,
 A=Advised, N=Not used