

Message Implementation Guideline

NEUTRIK-ORDERS

based on

ORDERS

Purchase order message

UN D.01B S3

Version: D01B
Variant: 1.0
Issue date: 28.02.2019
Author: ecosio GmbH

1 Message Structure.....	2
2 Branching Diagram	4
3 Segments	9

Structure / Table of Contents

Counter	No	Tag	St	MaxOcc	Level	Content
0000	1	UNA	C	1	0	Service string advice
0000	2	UNB	M	1	0	Interchange header
0010	3	UNH	M	1	0	Message header
0020	4	BGM	M	1	0	Beginning of message
0030	5	DTM	M	35	1	Date/time/period
0030	6	DTM	M	35	1	Date/time/period
0120		SG2	C	99	1	NAD-SG3-SG5
0130	7	NAD	M	1	1	Name and address
0160		SG3	C	99	2	RFF
0170	8	RFF	M	1	2	Reference
0220		SG5	C	5	2	CTA-COM
0230	9	CTA	M	1	2	Contact information
0240	10	COM	C	5	3	Communication contact
0120		SG2	C	99	1	NAD-SG3-SG5
0130	11	NAD	M	1	1	Name and address
0160		SG3	C	99	2	RFF
0170	12	RFF	M	1	2	Reference
0220		SG5	C	5	2	CTA-COM
0230	13	CTA	M	1	2	Contact information
0240	14	COM	C	5	3	Communication contact
0120		SG2	C	99	1	NAD-LOC
0130	15	NAD	M	1	1	Name and address
0140	16	LOC	C	99	2	Place/location identification
0120		SG2	C	99	1	NAD
0130	17	NAD	M	1	1	Name and address
0290		SG7	R	5	1	CUX
0300	18	CUX	M	1	1	Currencies
0460		SG12	R	5	1	TOD
0470	19	TOD	M	1	1	Terms of delivery or transport
1030		SG28	M	200000	1	LIN-PIA-IMD-IMD-QTY-FTX-SG32-SG33-SG53
1040	20	LIN	M	1	1	Line item
1050	21	PIA	C	25	2	Additional product id
1060	22	IMD	R	99	2	Item description
1060	23	IMD	R	99	2	Item description
1080	24	QTY	R	99	2	Quantity
1200	25	FTX	C	99	2	Free text
1320		SG32	C	25	2	PRI
1330	26	PRI	M	1	2	Price details
1380		SG33	C	9999	2	RFF-DTM

Counter = Counter of segment/group within the standard
 No = Consecutive segment number
 MaxOcc = Maximum occurrence of the segment/group

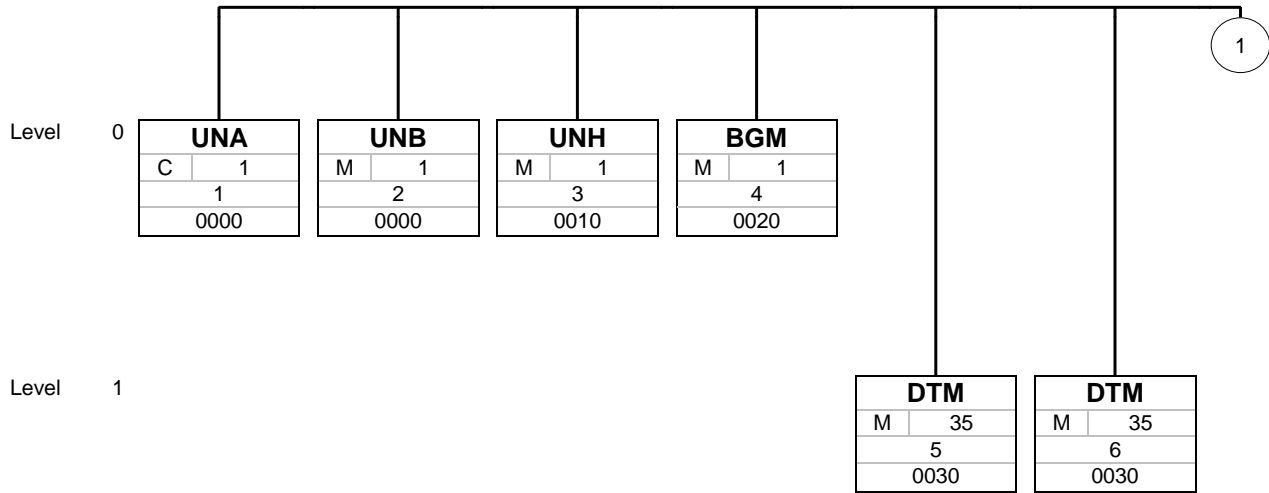
St = Status
 EDIFACT: M=Mandatory, C=Conditional
 User specific: R=Required, O=Optional, D=Dependent,
 A=Advised, N=Not used

Counter	No	Tag	St	MaxOcc	Level	Content
1390	27	RFF	M	1	2	Reference
1400	28	DTM	C	5	3	Date/time/period
2100		SG53	R	100	2	SCC-SG54
2110	29	SCC	M	1	2	Scheduling conditions
2140		SG54	C	10	3	QTY-DTM
2150	30	QTY	R	1	3	Quantity
2160	31	DTM	R	5	4	Date/time/period
2330	32	UNS	M	1	0	Section control
2400	33	UNT	M	1	0	Message trailer
0000	34	UNZ	M	1	0	Interchange trailer

Counter = Counter of segment/group within the standard
 No = Consecutive segment number
 MaxOcc = Maximum occurrence of the segment/group

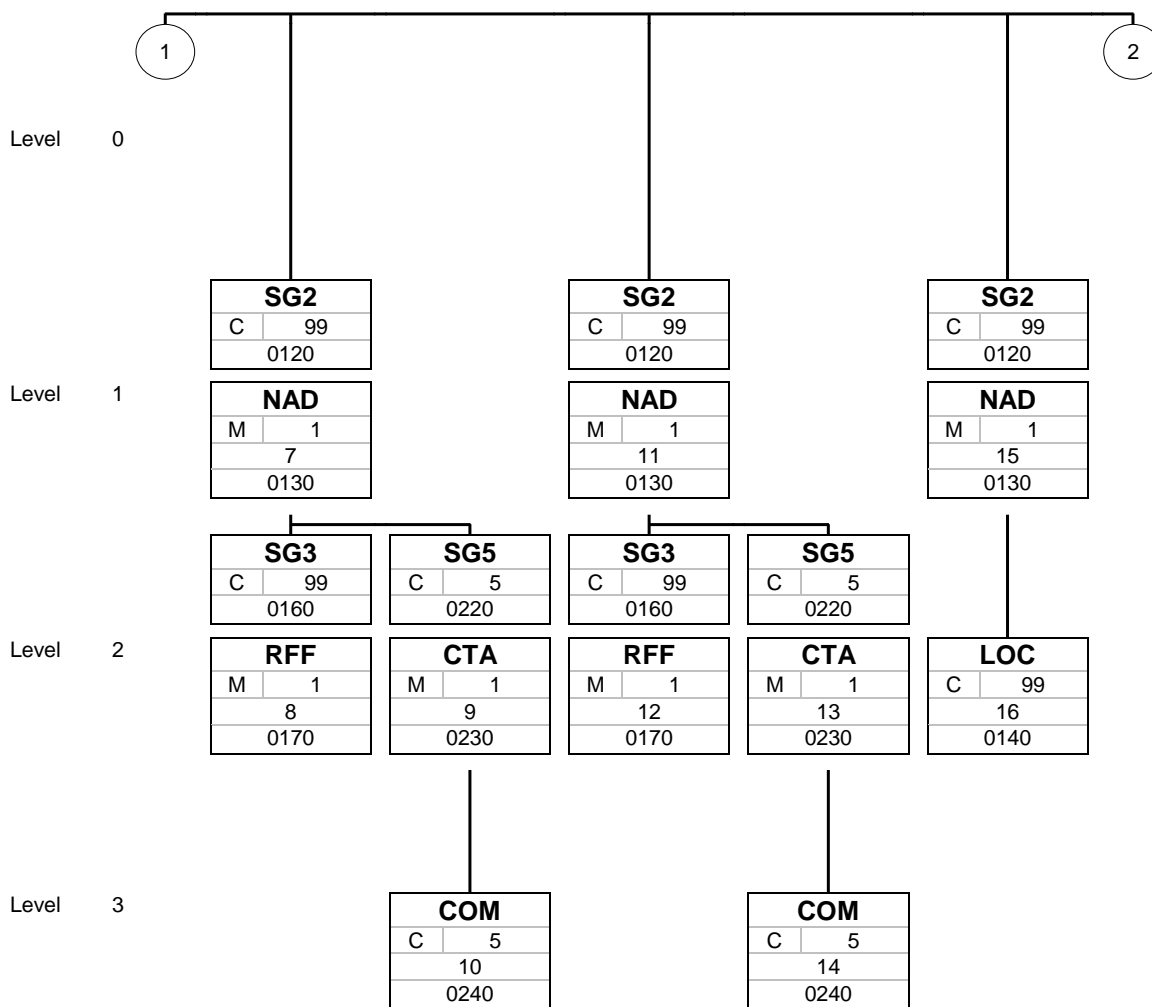
St = Status
 EDIFACT: M=Mandatory, C=Conditional
 User specific: R=Required, O=Optional, D=Dependent,
 A=Advised, N=Not used

Branching Diagram of Used Segments/Groups



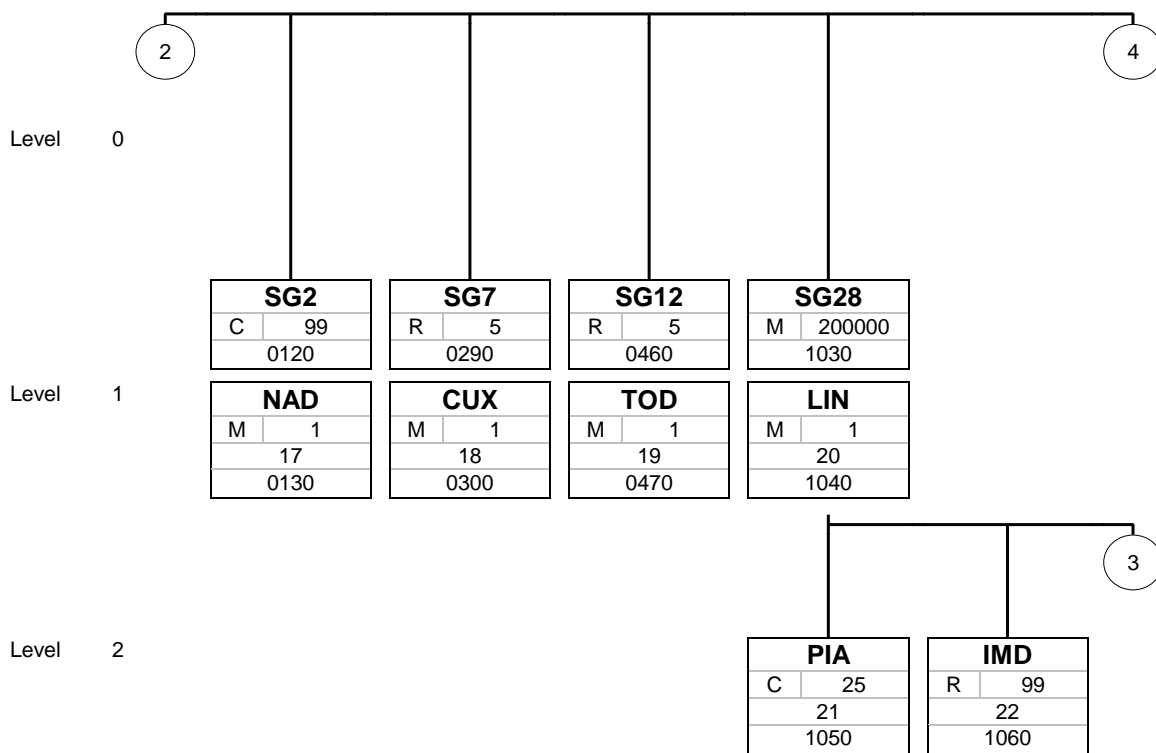
Tag
St MaxOcc
No
Counter

Tag = Segment/Group Tag
 St = Status (M=Mandatory, C=Conditional, R=Required, O=Optional, A=Advised, D=Dependent)
 MaxOcc = Maximum occurrence of the segment/group
 No = Consecutive segment number
 Counter = Counter of segment/group within the standard



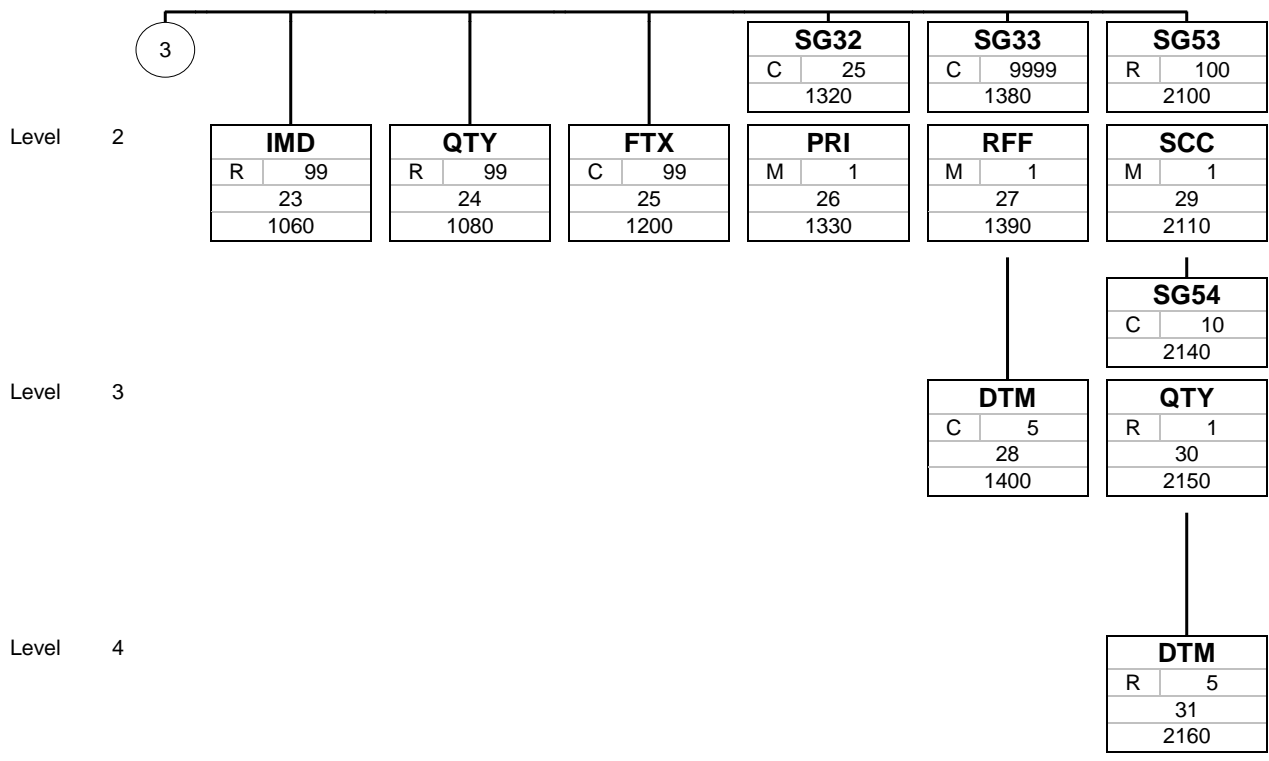
Tag
St MaxOcc
No
Counter

Tag = Segment/Group Tag
 St = Status (M=Mandatory, C=Conditional, R=Required, O=Optional, A=Advised, D=Dependent)
 MaxOcc = Maximum occurrence of the segment/group
 No = Consecutive segment number
 Counter = Counter of segment/group within the standard



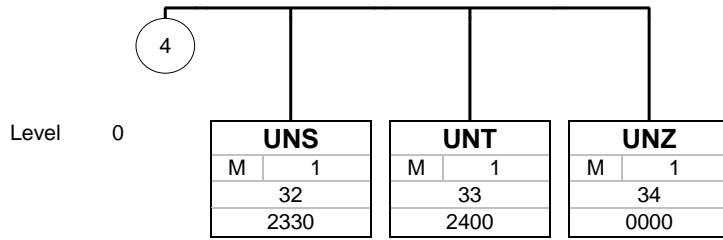
Tag
St MaxOcc
No
Counter

Tag = Segment/Group Tag
 St = Status (M=Mandatory, C=Conditional, R=Required, O=Optional, A=Advised, D=Dependent)
 MaxOcc = Maximum occurrence of the segment/group
 No = Consecutive segment number
 Counter = Counter of segment/group within the standard



Tag
St MaxOcc
No
Counter

Tag = Segment/Group Tag
 St = Status (M=Mandatory, C=Conditional, R=Required, O=Optional, A=Advised, D=Dependent)
 MaxOcc = Maximum occurrence of the segment/group
 No = Consecutive segment number
 Counter = Counter of segment/group within the standard



Tag
St MaxOcc
No
Counter

Tag = Segment/Group Tag
 St = Status (M=Mandatory, C=Conditional, R=Required, O=Optional, A=Advised, D=Dependent)
 MaxOcc = Maximum occurrence of the segment/group
 No = Consecutive segment number
 Counter = Counter of segment/group within the standard

Segments

Counter	No	Tag	St	MaxOcc	Level	Name
0000	1	UNA	C	1	0	Service string advice

		Standard	Implementation	
Tag	Name	St Format	St Format	Usage / Remark
UNA				
UNA1	Component data element separator	M an1	M an1	Used as a separator between component data elements contained within a composite data element (default value: ":")
UNA2	Data element separator	M an1	M an1	Used to separate two simple or composite data elements (default value: "+")
UNA3	Decimal notation	M an1	M an1	Used to indicate the character used for decimal notation (default value: ".")
UNA4	Release indicator	M an1	M an1	Used to restore any service character to its original specification (value: "?").
UNA5	Reserved for future use	M an1	M an1	(default value: space)
UNA6	Segment terminator	M an1	M an1	Used to indicate the end of segment data (default value: "'")

Remark:
Provides details about the special characters used in the message.

Example:
UNA: + . ? ' '

No = Consecutive segment number
MaxOcc = Maximum occurrence of the segment/group
Counter = Counter of segment/group within the standard

St = Status
EDIFACT: M=Mandatory, C=Conditional
User specific: R=Required, O=Optional, D=Dependent,
A=Advised, N=Not used

Counter	No	Tag	St	MaxOcc	Level	Name
---------	----	-----	----	--------	-------	------

0000 2 **UNB** M 1 0 Interchange header

Standard			Implementation	
Tag	Name	St Format	St Format	Usage / Remark
UNB				
S001	Syntax identifier	M	M	
0001	Syntax identifier	M a4	M a4	The encoding of the message. Always ISO-8859-1 UNOC UN/EDC level C
0002	Syntax version number	M n1	M n1	3 Version 3
S002	Interchange sender	M	M	
0004	Sender identification	M an..35	M an..35	Sender of the EDIFACT message. Identified using a Global Location Number (GLN), a Dun & Bradstreet Number (DUNS), or a mutually agreed identifier. NEUTRIK strongly encourages the use of GLN and DUNS numbers.
0007	Partner identification code qualifier	C an..4	R an..4	01 DUNS (Data Universal Numbering System) 14 EAN (European Article Numbering Association) ZZ Mutually defined
0008	Address for reverse routing	C an..14	N	Not used
S003	Interchange recipient	M	M	
0010	Recipient identification	M an..35	M an..35	Recipient of the EDIFACT message. Identified using a Global Location Number (GLN), a Dun & Bradstreet Number (DUNS), or a mutually agreed identifier. NEUTRIK strongly encourages the use of GLN and DUNS numbers.
0007	Partner identification code qualifier	C an..4	R an..4	01 DUNS (Data Universal Numbering System) 14 EAN (European Article Numbering Association) ZZ Mutually defined
0014	Routing address	C an..14	N	Not used
S004	Date/time of preparation	M	M	
0017	Date of preparation	M n6	M n6	Document date using format YYMMDD
0019	Time of preparation	M n4	M n4	Document time using format HHMM
0020	Interchange control reference	M an..14	M an..14	Unique reference identifying the interchange. Created by the sender's system. In order to allow for an easy lookup of interchange numbers in case of message disputes, it is encouraged that interchange reference numbers are unique per sender/receiver combination. Usually this means, that auto increment numbers shall be used.
S005	Recipient's reference, password	C	N	
0022	Recipient's reference/password	M an..14	N	Not used
0025	Recipient's reference/password qualifier	C an2	N	Not used
0026	Application reference	C an..14	N	Not used
0029	Processing priority code	C a1	N	Not used
0031	Acknowledgement request	C n1	N	Not used
0032	Communications agreement ID	C an..35	N	Not used
0035	Test indicator	C n1	C n1	If set to 1, it indicates that the given message is a test message and shall not be processed in the production system of the message recipient. 1 Interchange is a test

Remark:

This segment is used to envelope the interchange, as well as to identify both, the party to whom the interchange is sent and the party who has sent the interchange. The principle of the UNB segment is the same as a physical envelope which covers one or more letters or documents, and which details, both the address where delivery is to take place and the address from where the envelope

No = Consecutive segment number
MaxOcc = Maximum occurrence of the segment/group
Counter = Counter of segment/group within the standard

St = Status
EDIFACT: M=Mandatory, C=Conditional
User specific: R=Required, O=Optional, D=Dependent,
A=Advised, N=Not used

has come.

Example:

UNB+UNOC:3+448026955:01+9999999999992:14+181122:1600+1234+++++1'

No = Consecutive segment number
MaxOcc = Maximum occurrence of the segment/group
Counter = Counter of segment/group within the standard

St = Status
EDIFACT: M=Mandatory, C=Conditional
User specific: R=Required, O=Optional, D=Dependent,
A=Advised, N=Not used

Counter	No	Tag	St	MaxOcc	Level	Name
0010	3	UNH	M	1	0	Message header

Standard			Implementation	
Tag	Name	St Format	St Format	Usage / Remark
UNH				
0062	Message reference number	M an..14	M an..14	Sender's unique message reference. Sequence number of the messages in the interchange. DE 0062 in the UNT will be exactly the same. Sender generated.
S009	Message identifier	M	M	
0065	Message type	M an..6	M an..6	ORDERS Purchase order message
0052	Message version number	M an..3	M an..3	D Draft version/UN/EDIFACT Directory
0054	Message release number	M an..3	M an..3	01B Release 2001 - B
0051	Controlling agency	M an..2	M an..2	UN UN/CEFACT
0057	Association assigned code	C an..6	N	Not used
0068	Common access reference	C an..35	N	Not used
S010	Status of the transfer	C	N	
0070	Sequence of transfers	M n..2	N	Not used
0073	First and last transfer	C a1	N	Not used

Remark:

This segment is used to head, identify and specify a message.

Example:

UNH+112233+ORDERS:D:01B:UN'

No = Consecutive segment number
 MaxOcc = Maximum occurrence of the segment/group
 Counter = Counter of segment/group within the standard

St = Status
 EDIFACT: M=Mandatory, C=Conditional
 User specific: R=Required, O=Optional, D=Dependent,
 A=Advised, N=Not used

Counter	No	Tag	St	MaxOcc	Level	Name
---------	----	-----	----	--------	-------	------

0020 4 **BGM** M 1 0 **Beginning of message**

Standard			Implementation	
Tag	Name	St Format	St Format	Usage / Remark
BGM				
C002	Document/message name	C	C	
1001	Document name code	C an..3	R an..3	220 Order
1131	Code list identification code	C an..17	N	Not used
3055	Code list responsible agency code	C an..3	N	Not used
1000	Document name	C an..35	N	Not used
C106	Document/message identification	C	R	
1004	Document identifier	C an..35	R an..35	Number of the Purchase Order issued by the buyer party.
1056	Version identifier	C an..9	N	Not used
1060	Revision identifier	C an..6	N	Not used
1225	Message function code	C an..3	C an..3	The message function of the given purchase order. In case of NEUTRIK only '9' is supported, which is an original order. 9 Original
4343	Response type code	C an..3	N	Not used

Remark:

This segment is used to indicate the type and function of a message and to transmit the identifying number.

Example:

BGM+220+45130831+9'

No = Consecutive segment number
MaxOcc = Maximum occurrence of the segment/group
Counter = Counter of segment/group within the standard

St = Status
EDIFACT: M=Mandatory, C=Conditional
User specific: R=Required, O=Optional, D=Dependent,
A=Advised, N=Not used

Counter	No	Tag	St	MaxOcc	Level	Name
---------	----	-----	----	--------	-------	------

0030 5 **DTM** M 35 1 Date/time/period

Standard			Implementation	
Tag	Name	St Format	St Format	Usage / Remark
DTM				
C507	Date/time/period	M	M	
2005	Date or time or period function code qualifier	M an..3	M an..3	Type of date. 137 Document/message date/time
2380	Date or time or period value	C an..35	R an..35	The date value.
2379	Date or time or period format code	C an..3	R an..3	102 CCYYMMDD

Remark:
This segment is used to specify the document issue date.

Example:
DTM+137:20190118:102'

No = Consecutive segment number
MaxOcc = Maximum occurrence of the segment/group
Counter = Counter of segment/group within the standard

St = Status
EDIFACT: M=Mandatory, C=Conditional
User specific: R=Required, O=Optional, D=Dependent,
A=Advised, N=Not used

Counter	No	Tag	St	MaxOcc	Level	Name
---------	----	-----	----	--------	-------	------

0030	6	DTM	M	35	1	Date/time/period
------	---	------------	---	----	---	------------------

Standard			Implementation	
Tag	Name	St Format	St Format	Usage / Remark
DTM				
C507	Date/time/period	M	M	
2005	Date or time or period function code qualifier	M an..3	M an..3	Type of date. 4 Order date/time
2380	Date or time or period value	C an..35	R an..35	The date value.
2379	Date or time or period format code	C an..3	R an..3	102 CCYYMMDD

Remark:

This segment is used to specify the date of the purchase order.

Example:

DTM+4:20190119:102'

No = Consecutive segment number
 MaxOcc = Maximum occurrence of the segment/group
 Counter = Counter of segment/group within the standard

St = Status
 EDIFACT: M=Mandatory, C=Conditional
 User specific: R=Required, O=Optional, D=Dependent,
 A=Advised, N=Not used

Counter	No	Tag	St	MaxOcc	Level	Name
	0120	SG2	C	99	1	NAD-SG3-SG5
	0130	NAD	M	1	1	Name and address

Standard			Implementation	
Tag	Name	St Format	St Format	Usage / Remark
NAD				
3035	Party function code qualifier	M an..3	M an..3	BY Buyer
C082	Party identification details	C	R	
3039	Party identifier	M an..35	M an..35	The involved business entities are identified using a Global Location Number (GLN), a Dun & Bradstreet Number (DUNS), or a mutually agreed identifier. NEUTRIK strongly encourages the use of GLN and DUNS numbers.
1131	Code list identification code	C an..17	N	Not used
3055	Code list responsible agency code	C an..3	R an..3	9 EAN (International Article Numbering association) 16 US, D&B (Dun & Bradstreet Corporation) ZZZ Mutually defined
C058	Name and address	C	N	
3124	Name and address description	M an..35	N	Not used
3124	Name and address description	C an..35	N	Not used
3124	Name and address description	C an..35	N	Not used
3124	Name and address description	C an..35	N	Not used
3124	Name and address description	C an..35	N	Not used
C080	Party name	C	C	
3036	Party name	M an..35	M an..35	Name of the business partner.
3036	Party name	C an..35	O an..35	Name of the business partner.
3036	Party name	C an..35	N	Not used
3036	Party name	C an..35	N	Not used
3036	Party name	C an..35	N	Not used
3045	Party name format code	C an..3	N	Not used
C059	Street	C	C	Address details such as street or post office box of the business partner.
3042	Street and number or post office box identifier	M an..35	M an..35	
3042	Street and number or post office box identifier	C an..35	D an..35	
3042	Street and number or post office box identifier	C an..35	N	Not used
3042	Street and number or post office box identifier	C an..35	N	Not used
3164	City name	C an..35	D an..35	City name of the business partner
C819	Country sub-entity details	C	N	
3229	Country sub-entity name code	C an..9	N	Not used
1131	Code list identification code	C an..17	N	Not used
3055	Code list responsible agency code	C an..3	N	Not used
3228	Country sub-entity name	C an..70	N	Not used
3251	Postal identification code	C an..17	D an..17	Postal code of the business partner.
3207	Country name code	C an..3	D an..3	Used to provide the country of the business partner. ISO 3166 2-Alpha Codes shall be used.

Remark:

This segment is used to identify the buying party.

No = Consecutive segment number
MaxOcc = Maximum occurrence of the segment/group
Counter = Counter of segment/group within the standard

St = Status
EDIFACT: M=Mandatory, C=Conditional
User specific: R=Required, O=Optional, D=Dependent,
A=Advised, N=Not used

Example:

NAD+BY+448026955::16++NEUTRIK AG+Im alten Riet 143+Schaan++9494+LI'

No = Consecutive segment number
MaxOcc = Maximum occurrence of the segment/group
Counter = Counter of segment/group within the standard

St = Status
EDIFACT: M=Mandatory, C=Conditional
User specific: R=Required, O=Optional, D=Dependent,
A=Advised, N=Not used

Counter	No	Tag	St	MaxOcc	Level	Name
0160		SG3	C	99	2	RFF
0170	8	RFF	M	1	2	Reference

Standard			Implementation	
Tag	Name	St Format	St Format	Usage / Remark
RFF				
C506	Reference	M	M	
1153	Reference code qualifier	M an..3	M an..3	Creditor's reference number. This is the number, by which NEUTRIK is known at the supplier's side. Must occur with the NAD+BY segment. AHL Creditor's reference number
1154	Reference identifier	C an..70	R an..70	The reference number.
1156	Document line identifier	C an..6	N	Not used
4000	Reference version identifier	C an..35	N	Not used
1060	Revision identifier	C an..6	N	Not used

Remark:

This segment is used to specify the creditor's reference number. This is the number, by which NEUTRIK is known at the supplier's side.

Example:

RFF+ AHL: 506022'

No = Consecutive segment number
MaxOcc = Maximum occurrence of the segment/group
Counter = Counter of segment/group within the standard

St = Status
EDIFACT: M=Mandatory, C=Conditional
User specific: R=Required, O=Optional, D=Dependent,
A=Advised, N=Not used

Counter	No	Tag	St	MaxOcc	Level	Name
	0220	SG5	C	5	2	CTA-COM
	0230	CTA	M	1	2	Contact information

Standard			Implementation	
Tag	Name	St Format	St Format	Usage / Remark
CTA				
3139	Contact function code	C an..3	M an..3	The contact at the buyer's side. IC Information contact
C056	Department or employee details	C	C	
3413	Department or employee name code	C an..17	N	Not used
3412	Department or employee name	C an..35	M an..35	Name of the contact person.

Remark:

This segment is used to provide details about the business party's contact person.

Example:

CTA+IC+:Jane Doe'

No = Consecutive segment number
MaxOcc = Maximum occurrence of the segment/group
Counter = Counter of segment/group within the standard

St = Status
EDIFACT: M=Mandatory, C=Conditional
User specific: R=Required, O=Optional, D=Dependent,
A=Advised, N=Not used

Counter	No	Tag	St	MaxOcc	Level	Name
	0220	SG5	C	5	2	CTA-COM
	0240	10 COM	C	5	3	Communication contact

Standard			Implementation	
Tag	Name	St Format	St Format	Usage / Remark
COM				
C076	Communication contact	M	M	
3148	Communication address identifier	M an..512	M an..512	Communication details
3155	Communication address code qualifier	M an..3	M an..3	EM Electronic mail FX Telefax TE Telephone

Remark:

This segment identifies the communications number, and type of communications, for the person or department identified in the preceding CTA segment.

Example:

```
COM+jane.doe@neutrik.com:EM'
COM+(00423) 6175 4009-0:TE'
COM+(00423) 6175 4020-10:FX'
```

No = Consecutive segment number
 MaxOcc = Maximum occurrence of the segment/group
 Counter = Counter of segment/group within the standard

St = Status
 EDIFACT: M=Mandatory, C=Conditional
 User specific: R=Required, O=Optional, D=Dependent,
 A=Advised, N=Not used

Counter	No	Tag	St	MaxOcc	Level	Name
	0120	SG2	C	99	1	NAD-SG3-SG5
	0130	NAD	M	1	1	Name and address

Standard			Implementation	
Tag	Name	St Format	St Format	Usage / Remark
NAD				
3035	Party function code qualifier	M an..3	M an..3	SU Supplier
C082	Party identification details	C	R	
3039	Party identifier	M an..35	M an..35	The involved business entities are identified using a Global Location Number (GLN), a Dun & Bradstreet Number (DUNS), or a mutually agreed identifier. NEUTRIK strongly encourages the use of GLN and DUNS numbers.
1131	Code list identification code	C an..17	N	Not used
3055	Code list responsible agency code	C an..3	R an..3	9 EAN (International Article Numbering association) 16 US, D&B (Dun & Bradstreet Corporation) ZZZ Mutually defined
C058	Name and address	C	N	
3124	Name and address description	M an..35	N	Not used
3124	Name and address description	C an..35	N	Not used
3124	Name and address description	C an..35	N	Not used
3124	Name and address description	C an..35	N	Not used
3124	Name and address description	C an..35	N	Not used
C080	Party name	C	C	
3036	Party name	M an..35	M an..35	Name of the business partner.
3036	Party name	C an..35	O an..35	Name of the business partner.
3036	Party name	C an..35	N	Not used
3036	Party name	C an..35	N	Not used
3036	Party name	C an..35	N	Not used
3045	Party name format code	C an..3	N	Not used
C059	Street	C	C	Address details such as street or post office box of the business partner.
3042	Street and number or post office box identifier	M an..35	M an..35	
3042	Street and number or post office box identifier	C an..35	D an..35	
3042	Street and number or post office box identifier	C an..35	N	Not used
3042	Street and number or post office box identifier	C an..35	N	Not used
3164	City name	C an..35	D an..35	City name of the business partner
C819	Country sub-entity details	C	N	
3229	Country sub-entity name code	C an..9	N	Not used
1131	Code list identification code	C an..17	N	Not used
3055	Code list responsible agency code	C an..3	N	Not used
3228	Country sub-entity name	C an..70	N	Not used
3251	Postal identification code	C an..17	D an..17	Postal code of the business partner.
3207	Country name code	C an..3	D an..3	Used to provide the country of the business partner. ISO 3166 2-Alpha Codes shall be used.

Remark:

This segment is used to identify the supplying party.

No = Consecutive segment number
MaxOcc = Maximum occurrence of the segment/group
Counter = Counter of segment/group within the standard

St = Status
EDIFACT: M=Mandatory, C=Conditional
User specific: R=Required, O=Optional, D=Dependent,
A=Advised, N=Not used

Example:

NAD+SU+8888888888881::9++ABC Technics+Sample Street 145+Vienna++1080+AT'

No = Consecutive segment number
MaxOcc = Maximum occurrence of the segment/group
Counter = Counter of segment/group within the standard

St = Status
EDIFACT: M=Mandatory, C=Conditional
User specific: R=Required, O=Optional, D=Dependent,
A=Advised, N=Not used

Counter	No	Tag	St	MaxOcc	Level	Name
0160		SG3	C	99	2	RFF
0170	12	RFF	M	1	2	Reference

Standard			Implementation	
Tag	Name	St Format	St Format	Usage / Remark
RFF				
C506	Reference	M	M	
1153	Reference code qualifier	M an..3	M an..3	Debtor's reference number. This is the number, by which the supplier is known at NEUTRIK's side. Must occur with the NAD+SU segment. AHM Debtor's reference number
1154	Reference identifier	C an..70	R an..70	The reference number.
1156	Document line identifier	C an..6	N	Not used
4000	Reference version identifier	C an..35	N	Not used
1060	Revision identifier	C an..6	N	Not used

Remark:

This segment is used to specify the debtor's reference number. This is the number, by which the supplier is known at NEUTRIK's side.

Example:

RFF+AHM:448623'

No = Consecutive segment number
MaxOcc = Maximum occurrence of the segment/group
Counter = Counter of segment/group within the standard

St = Status
EDIFACT: M=Mandatory, C=Conditional
User specific: R=Required, O=Optional, D=Dependent,
A=Advised, N=Not used

Counter	No	Tag	St	MaxOcc	Level	Name
	0220	SG5	C	5	2	CTA-COM
	0230	13 CTA	M	1	2	Contact information

Standard			Implementation	
Tag	Name	St Format	St Format	Usage / Remark
CTA				
3139	Contact function code	C an..3	M an..3	The contact at the supplier's side. IC Information contact
C056	Department or employee details	C	C	
3413	Department or employee name code	C an..17	N	Not used
3412	Department or employee name	C an..35	M an..35	Name of the contact person.

Remark:

This segment is used to provide details about the business party's contact person.

Example:

CTA+IC+:Markus Mueller'

No = Consecutive segment number
MaxOcc = Maximum occurrence of the segment/group
Counter = Counter of segment/group within the standard

St = Status
EDIFACT: M=Mandatory, C=Conditional
User specific: R=Required, O=Optional, D=Dependent,
A=Advised, N=Not used

Counter	No	Tag	St	MaxOcc	Level	Name
0220		SG5	C	5	2	CTA-COM
0240	14	COM	C	5	3	Communication contact

Standard			Implementation	
Tag	Name	St Format	St Format	Usage / Remark
COM				
C076	Communication contact	M	M	
3148	Communication address identifier	M an..512	M an..512	Communication details
3155	Communication address code qualifier	M an..3	M an..3	EM Electronic mail FX Telefax TE Telephone

Remark:

This segment identifies the communications number, and type of communications, for the person or department identified in the preceding CTA segment.

Example:

COM+markus.mueller@abc.com:EM'
COM+(43) 1 2255 3015-0:TE'
COM+(43) 1 2255 3015-10:FX'

No = Consecutive segment number
MaxOcc = Maximum occurrence of the segment/group
Counter = Counter of segment/group within the standard

St = Status
EDIFACT: M=Mandatory, C=Conditional
User specific: R=Required, O=Optional, D=Dependent,
A=Advised, N=Not used

Counter	No	Tag	St	MaxOcc	Level	Name
	0120	SG2	C	99	1	NAD-LOC
	0130	15 NAD	M	1	1	Name and address

Standard			Implementation	
Tag	Name	St Format	St Format	Usage / Remark
NAD				
3035	Party function code qualifier	M an..3	M an..3	DP Delivery party
C082	Party identification details	C	R	
3039	Party identifier	M an..35	M an..35	The involved business entities are identified using a Global Location Number (GLN), a Dun & Bradstreet Number (DUNS), or a mutually agreed identifier. NEUTRIK strongly encourages the use of GLN and DUNS numbers.
1131	Code list identification code	C an..17	N	Not used
3055	Code list responsible agency code	C an..3	R an..3	9 EAN (International Article Numbering association) 16 US, D&B (Dun & Bradstreet Corporation) ZZZ Mutually defined
C058	Name and address	C	N	
3124	Name and address description	M an..35	N	Not used
3124	Name and address description	C an..35	N	Not used
3124	Name and address description	C an..35	N	Not used
3124	Name and address description	C an..35	N	Not used
3124	Name and address description	C an..35	N	Not used
C080	Party name	C	C	
3036	Party name	M an..35	M an..35	Name of the business partner.
3036	Party name	C an..35	O an..35	Name of the business partner.
3036	Party name	C an..35	N	Not used
3036	Party name	C an..35	N	Not used
3036	Party name	C an..35	N	Not used
3045	Party name format code	C an..3	N	Not used
C059	Street	C	C	Address details such as street or post office box of the business partner.
3042	Street and number or post office box identifier	M an..35	M an..35	
3042	Street and number or post office box identifier	C an..35	D an..35	
3042	Street and number or post office box identifier	C an..35	N	Not used
3042	Street and number or post office box identifier	C an..35	N	Not used
3164	City name	C an..35	D an..35	City name of the business partner
C819	Country sub-entity details	C	N	
3229	Country sub-entity name code	C an..9	N	Not used
1131	Code list identification code	C an..17	N	Not used
3055	Code list responsible agency code	C an..3	N	Not used
3228	Country sub-entity name	C an..70	N	Not used
3251	Postal identification code	C an..17	D an..17	Postal code of the business partner.
3207	Country name code	C an..3	D an..3	Used to provide the country of the business partner. ISO 3166 2-Alpha Codes shall be used.

Remark:

This segment is used to identify the delivery party.

No = Consecutive segment number
MaxOcc = Maximum occurrence of the segment/group
Counter = Counter of segment/group within the standard

St = Status
EDIFACT: M=Mandatory, C=Conditional
User specific: R=Required, O=Optional, D=Dependent,
A=Advised, N=Not used

Example:

NAD+DP+448026955::16++NEUTRIK AG+Im alten Riet 143+Schaan++9494+LI'

No = Consecutive segment number
MaxOcc = Maximum occurrence of the segment/group
Counter = Counter of segment/group within the standard

St = Status
EDIFACT: M=Mandatory, C=Conditional
User specific: R=Required, O=Optional, D=Dependent,
A=Advised, N=Not used

Counter	No	Tag	St	MaxOcc	Level	Name
	0120	SG2	C	99	1	NAD-LOC
	0140	16 LOC	C	99	2	Place/location identification

Standard			Implementation	
Tag	Name	St Format	St Format	Usage / Remark
LOC				
3227	Location function code qualifier	M an..3	M an..3	7 Place of delivery
C517	Location identification	C	C	
3225	Location name code	C an..25	C an..25	Storage location identifier
1131	Code list identification code	C an..17	N	Not used
3055	Code list responsible agency code	C an..3	C an..3	92 Assigned by buyer or buyer's agent
3224	Location name	C an..256	N	Not used
C519	Related location one identification	C	N	
3223	First related location name code	C an..25	N	Not used
1131	Code list identification code	C an..17	N	Not used
3055	Code list responsible agency code	C an..3	N	Not used
3222	First related location name	C an..70	N	Not used
C553	Related location two identification	C	N	
3233	Second related location name code	C an..25	N	Not used
1131	Code list identification code	C an..17	N	Not used
3055	Code list responsible agency code	C an..3	N	Not used
3232	Second related location name	C an..70	N	Not used
5479	Relation code	C an..3	N	Not used

Remark:

Used to provide the NEUTRIK factory code (storage location), i.e. the plant where the goods shall be delivered.

Example:

LOC+7+1000:::92'

No = Consecutive segment number
 MaxOcc = Maximum occurrence of the segment/group
 Counter = Counter of segment/group within the standard

St = Status
 EDIFACT: M=Mandatory, C=Conditional
 User specific: R=Required, O=Optional, D=Dependent,
 A=Advised, N=Not used

Counter	No	Tag	St	MaxOcc	Level	Name
	0120	SG2	C	99	1	NAD
	0130	17	NAD	M	1	1 Name and address

Standard			Implementation	
Tag	Name	St Format	St Format	Usage / Remark
NAD				
3035	Party function code qualifier	M an..3	M an..3	IV Invoicee
C082	Party identification details	C	R	
3039	Party identifier	M an..35	M an..35	The involved business entities are identified using a Global Location Number (GLN), a Dun & Bradstreet Number (DUNS), or a mutually agreed identifier. NEUTRIK strongly encourages the use of GLN and DUNS numbers.
1131	Code list identification code	C an..17	N	Not used
3055	Code list responsible agency code	C an..3	R an..3	9 EAN (International Article Numbering association) 16 US, D&B (Dun & Bradstreet Corporation) ZZZ Mutually defined
C058	Name and address	C	N	
3124	Name and address description	M an..35	N	Not used
3124	Name and address description	C an..35	N	Not used
3124	Name and address description	C an..35	N	Not used
3124	Name and address description	C an..35	N	Not used
3124	Name and address description	C an..35	N	Not used
C080	Party name	C	C	
3036	Party name	M an..35	M an..35	Name of the business partner.
3036	Party name	C an..35	O an..35	Name of the business partner.
3036	Party name	C an..35	N	Not used
3036	Party name	C an..35	N	Not used
3036	Party name	C an..35	N	Not used
3045	Party name format code	C an..3	N	Not used
C059	Street	C	C	Address details such as street or post office box of the business partner.
3042	Street and number or post office box identifier	M an..35	M an..35	
3042	Street and number or post office box identifier	C an..35	D an..35	
3042	Street and number or post office box identifier	C an..35	N	Not used
3042	Street and number or post office box identifier	C an..35	N	Not used
3164	City name	C an..35	D an..35	City name of the business partner
C819	Country sub-entity details	C	N	
3229	Country sub-entity name code	C an..9	N	Not used
1131	Code list identification code	C an..17	N	Not used
3055	Code list responsible agency code	C an..3	N	Not used
3228	Country sub-entity name	C an..70	N	Not used
3251	Postal identification code	C an..17	D an..17	Postal code of the business partner.
3207	Country name code	C an..3	D an..3	Used to provide the country of the business partner. ISO 3166 2-Alpha Codes shall be used.

Remark:

This segment is used to identify the invoice party.

No = Consecutive segment number
MaxOcc = Maximum occurrence of the segment/group
Counter = Counter of segment/group within the standard

St = Status
EDIFACT: M=Mandatory, C=Conditional
User specific: R=Required, O=Optional, D=Dependent,
A=Advised, N=Not used

Example:

NAD+IV+448026955::16++NEUTRIK AG+Im alten Riet 143+Schaan++9494+LI'

No = Consecutive segment number
MaxOcc = Maximum occurrence of the segment/group
Counter = Counter of segment/group within the standard

St = Status
EDIFACT: M=Mandatory, C=Conditional
User specific: R=Required, O=Optional, D=Dependent,
A=Advised, N=Not used

Counter	No	Tag	St	MaxOcc	Level	Name
0290		SG7	R	5	1	CUX
0300	18	CUX	M	1	1	Currencies

Standard			Implementation	
Tag	Name	St Format	St Format	Usage / Remark
CUX				
C504	Currency details	C	C	
6347	Currency usage code qualifier	M an..3	M an..3	2 Reference currency
6345	Currency identification code	C an..3	R an..3	The currency. ISO 4217 three alpha codes shall be used.
6343	Currency type code qualifier	C an..3	N	Not used
6348	Currency rate value	C n..4	N	Not used
C504	Currency details	C	N	
6347	Currency usage code qualifier	M an..3	N	Not used
6345	Currency identification code	C an..3	N	Not used
6343	Currency type code qualifier	C an..3	N	Not used
6348	Currency rate value	C n..4	N	Not used
5402	Currency exchange rate	C n..12	N	Not used
6341	Exchange rate currency market identifier	C an..3	N	Not used

Remark:

This segment is used to specify currency information for the complete order.

Example:

CUX+2:EUR'

No = Consecutive segment number
MaxOcc = Maximum occurrence of the segment/group
Counter = Counter of segment/group within the standard

St = Status
EDIFACT: M=Mandatory, C=Conditional
User specific: R=Required, O=Optional, D=Dependent,
A=Advised, N=Not used

Counter	No	Tag	St	MaxOcc	Level	Name
0460		SG12	R	5	1	TOD
0470	19	TOD	M	1	1	Terms of delivery or transport

Standard			Implementation	
Tag	Name	St Format	St Format	Usage / Remark
TOD				
4055	Delivery or transport terms function code	C an..3	R an..3	6 Delivery condition
4215	Transport charges payment method code	C an..3	N	Not used
C100	Terms of delivery or transport	C	C	
4053	Delivery or transport terms description code	C an..3	R an..3	INCOTERMS
1131	Code list identification code	C an..17	N	Not used
3055	Code list responsible agency code	C an..3	R an..3	4 ICC (International Chamber of Commerce)
4052	Delivery or transport terms description	C an..70	N	Not used
4052	Delivery or transport terms description	C an..70	N	Not used

Remark:

This segment is used to specify the terms of delivery for the complete order.

Example:

TOD+6++DDP: : 4 '

No = Consecutive segment number
 MaxOcc = Maximum occurrence of the segment/group
 Counter = Counter of segment/group within the standard

St = Status
 EDIFACT: M=Mandatory, C=Conditional
 User specific: R=Required, O=Optional, D=Dependent,
 A=Advised, N=Not used

Counter	No	Tag	St	MaxOcc	Level	Name
	1030	SG28	M	200000	1	LIN-PIA-IMD-QTY-FTX-SG32-SG33-SG53
	1040	LIN	M	1	1	Line item

Standard			Implementation	
Tag	Name	St Format	St Format	Usage / Remark
LIN				
1082	Line item identifier	C an..6	C an..6	Application generated number of the count of the order lines. For the receiving systems it is important to correctly process this number including all leading zeros, as this number will later be required for consecutive documents such as ORDRSP, DESADV and INVOIC.
1229	Action request/notification description code	C an..3	N	Not used
C212	Item number identification	C	C	
7140	Item identifier	C an..35	O an..35	If a GTIN is available for the ordered good, it is provided in this element. If no GTIN is available, this field remains empty and the supplier's and buyer's article numbers in the respective PIA elements are used instead.
7143	Item type identification code	C an..3	O an..3	SRV EAN.UCC Global Trade Item Number
1131	Code list identification code	C an..17	N	Not used
3055	Code list responsible agency code	C an..3	N	Not used
C829	Sub-line information	C	N	
5495	Sub-line indicator code	C an..3	N	Not used
1082	Line item identifier	C an..6	N	Not used
1222	Configuration level number	C n..2	N	Not used
7083	Configuration operation code	C an..3	N	Not used

Remark:

This segment is used to identify the item being ordered. The detail section of the purchase order is formed by a repeating group of segments, always starting with the LIN segment.

Example:

LIN+00010++30614300103494:SRV'

No = Consecutive segment number
MaxOcc = Maximum occurrence of the segment/group
Counter = Counter of segment/group within the standard

St = Status
EDIFACT: M=Mandatory, C=Conditional
User specific: R=Required, O=Optional, D=Dependent,
A=Advised, N=Not used

Counter	No	Tag	St	MaxOcc	Level	Name
1030		SG28	M	200000	1	LIN-PIA-IMD-QTY-FTX-SG32-SG33-SG53
1050	21	PIA	C	25	2	Additional product id

Standard			Implementation	
Tag	Name	St Format	St Format	Usage / Remark
PIA				
4347	Product identifier code qualifier	M an..3	M an..3	5 Product identification
C212	Item number identification	M	M	
7140	Item identifier	C an..35	R an..35	Product identifier.
7143	Item type identification code	C an..3	R an..3	BP Buyer's part number SA Supplier's article number
1131	Code list identification code	C an..17	N	Not used
3055	Code list responsible agency code	C an..3	N	Not used
C212	Item number identification	C	N	
7140	Item identifier	C an..35	N	Not used
7143	Item type identification code	C an..3	N	Not used
1131	Code list identification code	C an..17	N	Not used
3055	Code list responsible agency code	C an..3	N	Not used
C212	Item number identification	C	N	
7140	Item identifier	C an..35	N	Not used
7143	Item type identification code	C an..3	N	Not used
1131	Code list identification code	C an..17	N	Not used
3055	Code list responsible agency code	C an..3	N	Not used
C212	Item number identification	C	N	
7140	Item identifier	C an..35	N	Not used
7143	Item type identification code	C an..3	N	Not used
1131	Code list identification code	C an..17	N	Not used
3055	Code list responsible agency code	C an..3	N	Not used
C212	Item number identification	C	N	
7140	Item identifier	C an..35	N	Not used
7143	Item type identification code	C an..3	N	Not used
1131	Code list identification code	C an..17	N	Not used
3055	Code list responsible agency code	C an..3	N	Not used

Remark:

This segment is used to specify additional item identification codes such as the buyer's and the supplier's article number.

Example:

PIA+5+101173:SA'
PIA+5+91201521:BP'

No = Consecutive segment number
MaxOcc = Maximum occurrence of the segment/group
Counter = Counter of segment/group within the standard

St = Status
EDIFACT: M=Mandatory, C=Conditional
User specific: R=Required, O=Optional, D=Dependent,
A=Advised, N=Not used

Counter	No	Tag	St	MaxOcc	Level	Name
1030		SG28	M	200000	1	LIN-PIA-IMD-QTY-FTX-SG32-SG33-SG53
1060	22	IMD	R	99	2	Item description

Standard			Implementation	
Tag	Name	St Format	St Format	Usage / Remark
IMD				
7077	Description format code	C an..3	C an..3	F Free-form
C272	Item characteristic	C	N	
7081	Item characteristic code	C an..3	N	Not used
1131	Code list identification code	C an..17	N	Not used
3055	Code list responsible agency code	C an..3	N	Not used
C273	Item description	C	C	
7009	Item description code	C an..17	N	Not used
1131	Code list identification code	C an..17	N	Not used
3055	Code list responsible agency code	C an..3	N	Not used
7008	Item description	C an..256	C an..256	Item description
7008	Item description	C an..256	C an..256	Item description
3453	Language name code	C an..3	N	Not used
7383	Surface or layer code	C an..3	N	Not used

Remark:

This segment is used to describe the current line item in free text form.

Example:

IMD+F+++:::EINSATZ F. NL4FC / 129-1A'

No = Consecutive segment number
MaxOcc = Maximum occurrence of the segment/group
Counter = Counter of segment/group within the standard

St = Status
EDIFACT: M=Mandatory, C=Conditional
User specific: R=Required, O=Optional, D=Dependent,
A=Advised, N=Not used

Counter	No	Tag	St	MaxOcc	Level	Name
1030		SG28	M	200000	1	LIN-PIA-IMD-QTY-FTX-SG32-SG33-SG53
1060	23	IMD	R	99	2	Item description

Standard			Implementation	
Tag	Name	St Format	St Format	Usage / Remark
IMD				
7077	Description format code	C an..3	C an..3	B Code and text
C272	Item characteristic	C	N	
7081	Item characteristic code	C an..3	N	Not used
1131	Code list identification code	C an..17	N	Not used
3055	Code list responsible agency code	C an..3	N	Not used
C273	Item description	C	C	
7009	Item description code	C an..17	N	Not used
1131	Code list identification code	C an..17	N	Not used
3055	Code list responsible agency code	C an..3	N	Not used
7008	Item description	C an..256	C an..256	The drawing revision number.
7008	Item description	C an..256	C an..256	The drawing revision number.
3453	Language name code	C an..3	N	Not used
7383	Surface or layer code	C an..3	N	Not used

Remark:

This segment is used to provide the drawing revision number for this specific line item.

Example:

IMD+B+:::Revisionsstand?: V'

No = Consecutive segment number
 MaxOcc = Maximum occurrence of the segment/group
 Counter = Counter of segment/group within the standard

St = Status
 EDIFACT: M=Mandatory, C=Conditional
 User specific: R=Required, O=Optional, D=Dependent,
 A=Advised, N=Not used

Counter	No	Tag	St	MaxOcc	Level	Name
	1030	SG28	M	200000	1	LIN-PIA-IMD-QTY-FTX-SG32-SG33-SG53
	1080	24 QTY	R	99	2	Quantity

Standard			Implementation	
Tag	Name	St Format	St Format	Usage / Remark
QTY				
C186	Quantity details	M	M	
6063	Quantity type code qualifier	M an..3	M an..3	21 Ordered quantity
6060	Quantity	M an..35	M an..35	The ordered quantity.
6411	Measurement unit code	C an..3	C an..3	C62 one KGM kilogram KTM kilometre LTR litre MTK square metre MTQ cubic metre MTR metre PCE piece SET set TNE tonne (metric ton)

Remark:
The overall ordered quantity of the given purchase order line item.

Example:
QTY+21:30000:PCE'

No = Consecutive segment number
 MaxOcc = Maximum occurrence of the segment/group
 Counter = Counter of segment/group within the standard

St = Status
 EDIFACT: M=Mandatory, C=Conditional
 User specific: R=Required, O=Optional, D=Dependent,
 A=Advised, N=Not used

Counter	No	Tag	St	MaxOcc	Level	Name
1030		SG28	M	200000	1	LIN-PIA-IMD-QTY-FTX-SG32-SG33-SG53
1200	25	FTX	C	99	2	Free text

Standard			Implementation	
Tag	Name	St Format	St Format	Usage / Remark
FTX				
4451	Text subject code qualifier	M an..3	M an..3	AAI General information
4453	Free text function code	C an..3	C an..3	3 Text for immediate use
C107	Text reference	C	N	
4441	Free text value code	M an..17	N	Not used
1131	Code list identification code	C an..17	N	Not used
3055	Code list responsible agency code	C an..3	N	Not used
C108	Text literal	C	C	
4440	Free text value	M an..512	M an..512	
4440	Free text value	C an..512	C an..512	
4440	Free text value	C an..512	C an..512	
4440	Free text value	C an..512	C an..512	
4440	Free text value	C an..512	C an..512	
3453	Language name code	C an..3	N	Not used
4447	Free text format code	C an..3	N	Not used

Remark:

Used to provide additional free text information for the ordered item.

Example:

FTX+AAI+3++Free text 1 with maximum length 512:Free text 2 with maximum length 512:Free text 3 with maximum length 512:Free text 4 with maximum length 512:Free text 5 with maximum length 512'

No = Consecutive segment number
MaxOcc = Maximum occurrence of the segment/group
Counter = Counter of segment/group within the standard

St = Status
EDIFACT: M=Mandatory, C=Conditional
User specific: R=Required, O=Optional, D=Dependent,
A=Advised, N=Not used

Counter	No	Tag	St	MaxOcc	Level	Name	
	1320	SG32	C	25	2	PRI	
	1330	26	PRI	M	1	2	Price details

Standard			Implementation	
Tag	Name	St Format	St Format	Usage / Remark
PRI				
C509	Price information	C	C	
5125	Price code qualifier	M an..3	M an..3	AAA Calculation net
5118	Price amount	C n..15	R n..15	The amount of the price.
5375	Price type code	C an..3	N	Not used
5387	Price specification code	C an..3	N	Not used
5284	Unit price basis value	C n..9	R n..9	The basis unit for the price.
6411	Measurement unit code	C an..3	M an..3	C62 one KGM kilogram KTM kilometre LTR litre MTK square metre MTQ cubic metre MTR metre PCE piece SET set TNE tonne (metric ton)
5213	Sub-line item price change operation code	C an..3	N	Not used

Remark:

This segment is used to detail the price for the current product identified in the LIN segment. The provided price is the calculation net price, which is the price with allowances/surcharges.

Example:

PRI+AAA:115.50:::1000:PCE'

No = Consecutive segment number
 MaxOcc = Maximum occurrence of the segment/group
 Counter = Counter of segment/group within the standard

St = Status
 EDIFACT: M=Mandatory, C=Conditional
 User specific: R=Required, O=Optional, D=Dependent,
 A=Advised, N=Not used

Counter	No	Tag	St	MaxOcc	Level	Name
1380		SG33	C	9999	2	RFF-DTM
1390	27	RFF	M	1	2	Reference

Standard			Implementation	
Tag	Name	St Format	St Format	Usage / Remark
RFF				
C506	Reference	M	M	
1153	Reference code qualifier	M an..3	M an..3	BC Buyer's contract number
1154	Reference identifier	C an..70	R an..70	The contract number.
1156	Document line identifier	C an..6	R an..6	The referenced line item number.
4000	Reference version identifier	C an..35	N	Not used
1060	Revision identifier	C an..6	N	Not used

Remark:

This segment is used to provide a reference to the underlying contract document and the line item number in the contract.

Example:

RFF+BC:0046001951:00010'

No = Consecutive segment number
 MaxOcc = Maximum occurrence of the segment/group
 Counter = Counter of segment/group within the standard

St = Status
 EDIFACT: M=Mandatory, C=Conditional
 User specific: R=Required, O=Optional, D=Dependent,
 A=Advised, N=Not used

Counter	No	Tag	St	MaxOcc	Level	Name
1380		SG33	C	9999	2	RFF-DTM
1400	28	DTM	C	5	3	Date/time/period

Standard			Implementation	
Tag	Name	St Format	St Format	Usage / Remark
DTM				
C507	Date/time/period	M	M	
2005	Date or time or period function code qualifier	M an..3	M an..3	92 Contract effective date
2380	Date or time or period value	C an..35	C an..35	
2379	Date or time or period format code	C an..3	M an..3	102 CCYYMMDD

Remark:

This segment is used to provide the date, when the contract became effective.

Example:

DTM+92:20181012:102'

No = Consecutive segment number
 MaxOcc = Maximum occurrence of the segment/group
 Counter = Counter of segment/group within the standard

St = Status
 EDIFACT: M=Mandatory, C=Conditional
 User specific: R=Required, O=Optional, D=Dependent,
 A=Advised, N=Not used

Counter	No	Tag	St	MaxOcc	Level	Name
	2100	SG53	R	100	2	SCC-SG54
	2110	29 SCC	M	1	2	Scheduling conditions

Standard			Implementation	
Tag	Name	St Format	St Format	Usage / Remark
SCC				
4017	Delivery plan commitment level code	M an..3	M an..3	1 Firm
4493	Delivery instruction code	C an..3	N	Not used
C329	Pattern description	C	N	
2013	Frequency code	C an..3	N	Not used
2015	Despatch pattern code	C an..3	N	Not used
2017	Despatch pattern timing code	C an..3	N	Not used

Remark:

Provides a list of QTY/DTM combinations, indicating the requested delivery amounts and delivery dates of the given order line item.

Example:

```
SCC+1'
QTY+21:20000:PCE'
DTM+2:20190205:102'
SCC+1'
QTY+21:10000:PCE'
DTM+2:20190210:102'
```

No = Consecutive segment number
 MaxOcc = Maximum occurrence of the segment/group
 Counter = Counter of segment/group within the standard

St = Status
 EDIFACT: M=Mandatory, C=Conditional
 User specific: R=Required, O=Optional, D=Dependent,
 A=Advised, N=Not used

Counter	No	Tag	St	MaxOcc	Level	Name
	2140	SG54	C	10	3	QTY-DTM
	2150	30 QTY	R	1	3	Quantity

Standard			Implementation	
Tag	Name	St Format	St Format	Usage / Remark
QTY				
C186	Quantity details	M	M	
6063	Quantity type code qualifier	M an..3	M an..3	21 Ordered quantity
6060	Quantity	M an..35	M an..35	The ordered quantity.
6411	Measurement unit code	C an..3	C an..3	C62 one KGM kilogram KTM kilometre LTR litre MTK square metre MTQ cubic metre MTR metre PCE piece SET set TNE tonne (metric ton)

Remark:

Used to provide the quantity, which has to be delivered at a certain date. If the delivery of the current line item will not be split, this field should have the same value as QTY+21 of SG28.

Example:

QTY+21:20000:PCE'

No = Consecutive segment number
 MaxOcc = Maximum occurrence of the segment/group
 Counter = Counter of segment/group within the standard

St = Status
 EDIFACT: M=Mandatory, C=Conditional
 User specific: R=Required, O=Optional, D=Dependent,
 A=Advised, N=Not used

Counter	No	Tag	St	MaxOcc	Level	Name
2140		SG54	C	10	3	QTY-DTM
2160	31	DTM	R	5	4	Date/time/period

Standard			Implementation	
Tag	Name	St Format	St Format	Usage / Remark
DTM				
C507	Date/time/period	M	M	
2005	Date or time or period function code qualifier	M an..3	M an..3	2 Delivery date/time, requested
2380	Date or time or period value	C an..35	R an..35	Date value.
2379	Date or time or period format code	C an..3	R an..3	102 CCYYMMDD

Remark:

Used to provide the date for the requested quantity.

Example:

DTM+2:20190205:102'

No = Consecutive segment number
 MaxOcc = Maximum occurrence of the segment/group
 Counter = Counter of segment/group within the standard

St = Status
 EDIFACT: M=Mandatory, C=Conditional
 User specific: R=Required, O=Optional, D=Dependent,
 A=Advised, N=Not used

Counter	No	Tag	St	MaxOcc	Level	Name
2330	32	UNS	M	1	0	Section control

Standard			Implementation	
Tag	Name	St Format	St Format	Usage / Remark
UNS				
0081	Section identification	M a1	M a1	S Detail/summary section separation

Remark:
This segment is used to separate the detail and summary sections of the message.

Example:
UNS+S'

No = Consecutive segment number
MaxOcc = Maximum occurrence of the segment/group
Counter = Counter of segment/group within the standard

St = Status
EDIFACT: M=Mandatory, C=Conditional
User specific: R=Required, O=Optional, D=Dependent,
A=Advised, N=Not used

Counter	No	Tag	St	MaxOcc	Level	Name
2400	33	UNT	M	1	0	Message trailer

Standard			Implementation	
Tag	Name	St Format	St Format	Usage / Remark
UNT				
0074	Number of segments in the message	M n..6	M n..6	The total number of segments in the message is detailed here.
0062	Message reference number	M an..14	M an..14	The message reference number detailed here should equal the one specified in the UNH segment.\r

Remark:

This segment is a mandatory UN/EDIFACT segment. It must always be the last segment in the message.

Example:

UNT+25+112233'

No = Consecutive segment number
 MaxOcc = Maximum occurrence of the segment/group
 Counter = Counter of segment/group within the standard

St = Status
 EDIFACT: M=Mandatory, C=Conditional
 User specific: R=Required, O=Optional, D=Dependent,
 A=Advised, N=Not used

Counter	No	Tag	St	MaxOcc	Level	Name
---------	----	-----	----	--------	-------	------

0000	34	UNZ	M	1	0	Interchange trailer
------	----	------------	---	---	---	---------------------

Standard			Implementation	
Tag	Name	St Format	St Format	Usage / Remark
UNZ				
0036	Interchange control count	M n..6	M n..6	Number of messages or functional groups within an interchange.
0020	Interchange control reference	M an..14	M an..14	Identical to DE 0020 in UNB segment.

Remark:

This segment is used to provide the trailer of an interchange. It is the last segment of an EDIFACT interchange file.

Example:

UNZ+1+1234'

No = Consecutive segment number
 MaxOcc = Maximum occurrence of the segment/group
 Counter = Counter of segment/group within the standard

St = Status
 EDIFACT: M=Mandatory, C=Conditional
 User specific: R=Required, O=Optional, D=Dependent,
 A=Advised, N=Not used