



Message Implementation Guideline

NEUTRIK-ORDRSP

based on

ORDRSP

Purchase order response message

UN D.01B S3

Version: D01B
Variant: 1.0
Issue date: 11.03.2019
Author: ecosio GmbH

| | |
|---------------------------|---|
| 1 Message Structure..... | 2 |
| 2 Branching Diagram | 4 |
| 3 Segments | 9 |

Structure / Table of Contents

| Counter | No | Tag | St | MaxOcc | Level | Content |
|---------|----|-------------|----|--------|-------|----------------------------------------|
| 0000 | 1 | UNA | C | 1 | 0 | Service string advice |
| 0000 | 2 | UNB | M | 1 | 0 | Interchange header |
| 0010 | 3 | UNH | M | 1 | 0 | Message header |
| 0020 | 4 | BGM | M | 1 | 0 | Beginning of message |
| 0030 | 5 | DTM | M | 35 | 1 | Date/time/period |
| 0090 | | SG1 | C | 9999 | 1 | RFF-DTM |
| 0100 | 6 | RFF | M | 1 | 1 | Reference |
| 0110 | 7 | DTM | C | 5 | 2 | Date/time/period |
| 0150 | | SG3 | R | 99 | 1 | NAD-SG4-SG6 |
| 0160 | 8 | NAD | M | 1 | 1 | Name and address |
| 0190 | | SG4 | C | 99 | 2 | RFF |
| 0200 | 9 | RFF | M | 1 | 2 | Reference |
| 0250 | | SG6 | C | 5 | 2 | CTA-COM |
| 0260 | 10 | CTA | M | 1 | 2 | Contact information |
| 0270 | 11 | COM | C | 5 | 3 | Communication contact |
| 0150 | | SG3 | R | 99 | 1 | NAD-SG4-SG6 |
| 0160 | 12 | NAD | M | 1 | 1 | Name and address |
| 0190 | | SG4 | C | 99 | 2 | RFF |
| 0200 | 13 | RFF | M | 1 | 2 | Reference |
| 0250 | | SG6 | C | 5 | 2 | CTA-COM |
| 0260 | 14 | CTA | M | 1 | 2 | Contact information |
| 0270 | 15 | COM | C | 5 | 3 | Communication contact |
| 0150 | | SG3 | R | 99 | 1 | NAD-LOC |
| 0160 | 16 | NAD | M | 1 | 1 | Name and address |
| 0170 | 17 | LOC | C | 25 | 2 | Place/location identification |
| 0150 | | SG3 | R | 99 | 1 | NAD |
| 0160 | 18 | NAD | M | 1 | 1 | Name and address |
| 0320 | | SG8 | R | 5 | 1 | CUX |
| 0330 | 19 | CUX | M | 1 | 1 | Currencies |
| 0460 | | SG12 | R | 5 | 1 | TOD |
| 0470 | 20 | TOD | M | 1 | 1 | Terms of delivery or transport |
| 0970 | | SG26 | M | 200000 | 1 | LIN-PIA-IMD-IMD-QTY-FTX-SG30-SG31-SG51 |
| 0980 | 21 | LIN | M | 1 | 1 | Line item |
| 0990 | 22 | PIA | C | 25 | 2 | Additional product id |
| 1000 | 23 | IMD | C | 99 | 2 | Item description |
| 1000 | 24 | IMD | C | 99 | 2 | Item description |
| 1020 | 25 | QTY | R | 99 | 2 | Quantity |
| 1140 | 26 | FTX | C | 99 | 2 | Free text |
| 1270 | | SG30 | C | 25 | 2 | PRI |

Counter = Counter of segment/group within the standard
 No = Consecutive segment number
 MaxOcc = Maximum occurrence of the segment/group

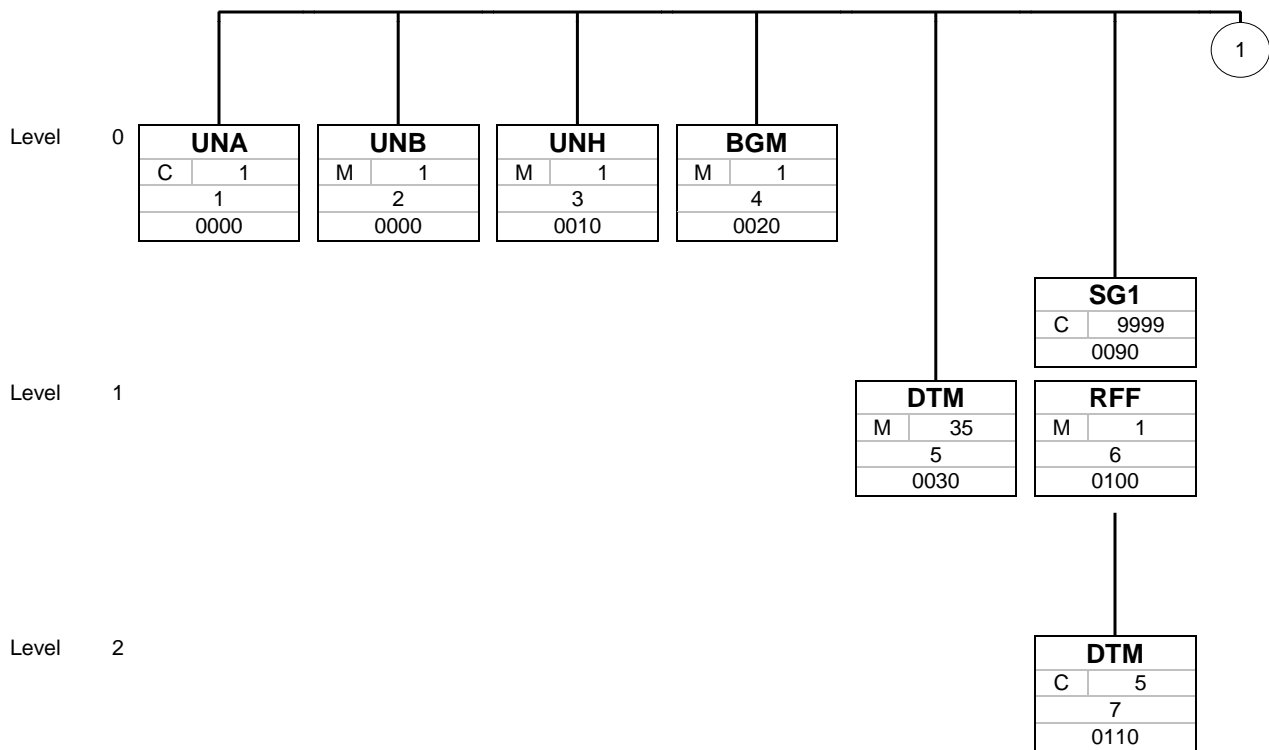
St = Status
 EDIFACT: M=Mandatory, C=Conditional
 User specific: R=Required, O=Optional, D=Dependent,
 A=Advised, N=Not used

| Counter | No | Tag | St | MaxOcc | Level | Content |
|---------|----|-------------|----|--------|-------|-----------------------|
| 1280 | 27 | PRI | M | 1 | 2 | Price details |
| 1330 | | SG31 | C | 9999 | 2 | RFF-DTM |
| 1340 | 28 | RFF | M | 1 | 2 | Reference |
| 1350 | 29 | DTM | C | 5 | 3 | Date/time/period |
| 2030 | | SG51 | R | 100 | 2 | SCC-SG52 |
| 2040 | 30 | SCC | M | 1 | 2 | Scheduling conditions |
| 2070 | | SG52 | R | 10 | 3 | QTY-DTM |
| 2080 | 31 | QTY | R | 1 | 3 | Quantity |
| 2090 | 32 | DTM | R | 5 | 4 | Date/time/period |
| 2200 | 33 | UNS | M | 1 | 0 | Section control |
| 2270 | 34 | UNT | M | 1 | 0 | Message trailer |
| 0000 | 35 | UNZ | M | 1 | 0 | Interchange trailer |

Counter = Counter of segment/group within the standard
 No = Consecutive segment number
 MaxOcc = Maximum occurrence of the segment/group

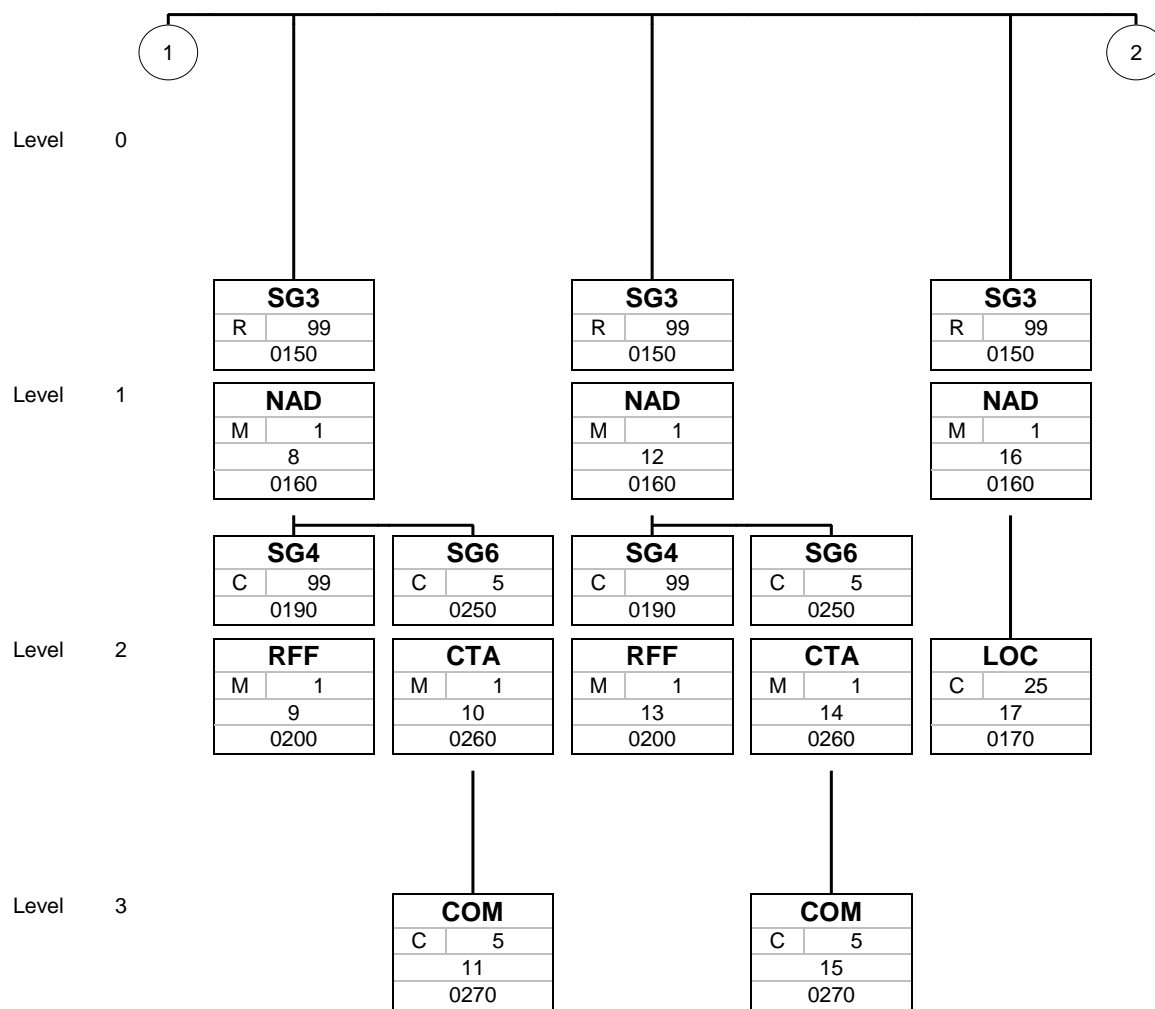
St = Status
 EDIFACT: M=Mandatory, C=Conditional
 User specific: R=Required, O=Optional, D=Dependent,
 A=Advised, N=Not used

Branching Diagram of Used Segments/Groups



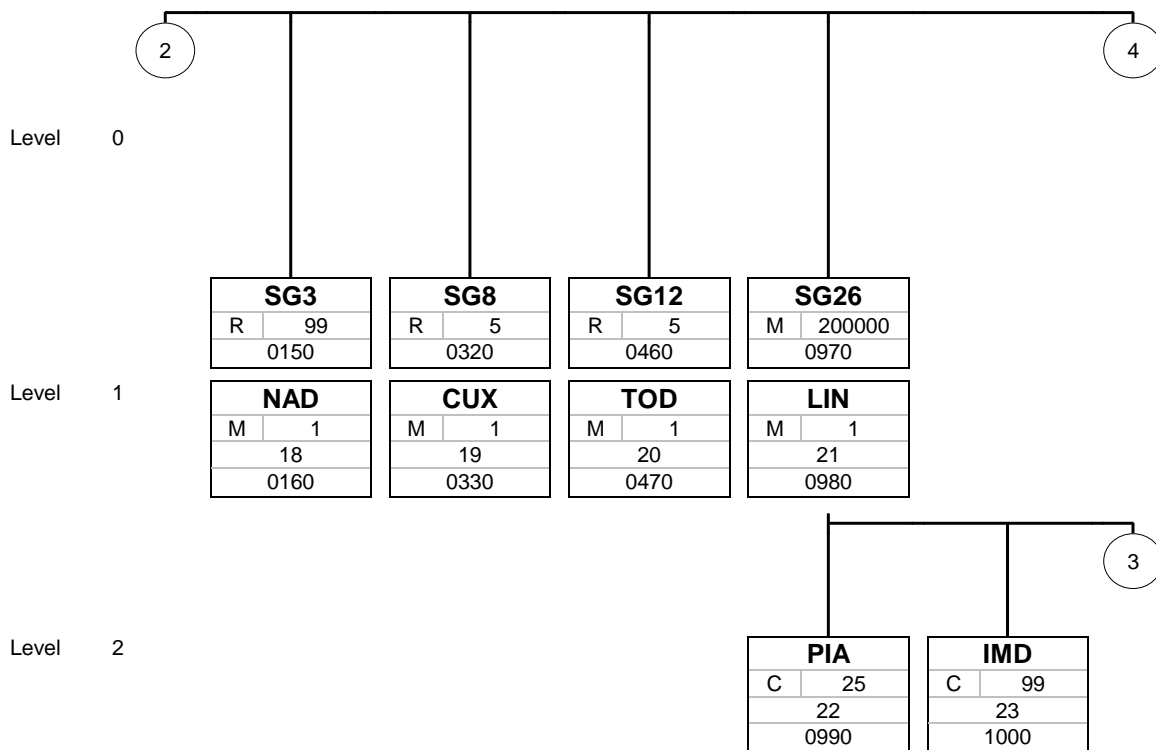
| |
|-----------|
| Tag |
| St MaxOcc |
| No |
| Counter |

Tag = Segment/Group Tag
 St = Status (M=Mandatory, C=Conditional, R=Required, O=Optional, A=Advised, D=Dependent)
 MaxOcc = Maximum occurrence of the segment/group
 No = Consecutive segment number
 Counter = Counter of segment/group within the standard



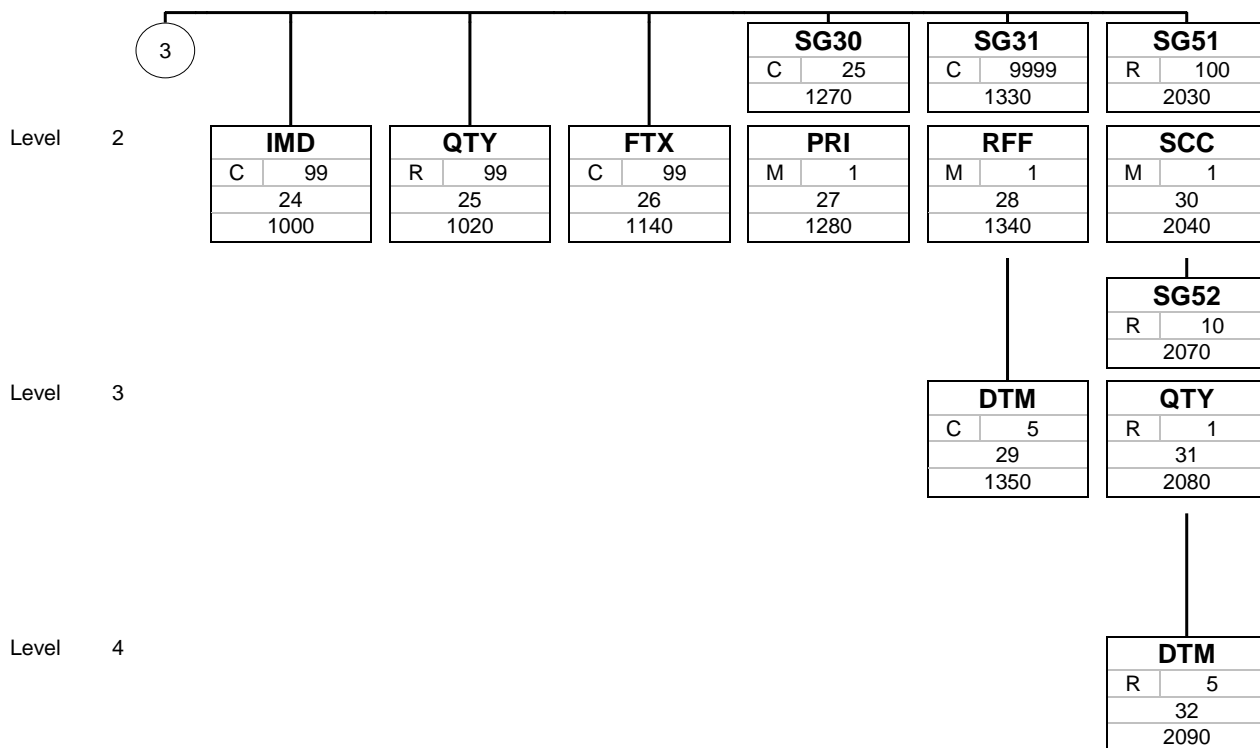
| |
|-----------|
| Tag |
| St MaxOcc |
| No |
| Counter |

Tag = Segment/Group Tag
 St = Status (M=Mandatory, C=Conditional, R=Required, O=Optional, A=Advised, D=Dependent)
 MaxOcc = Maximum occurrence of the segment/group
 No = Consecutive segment number
 Counter = Counter of segment/group within the standard



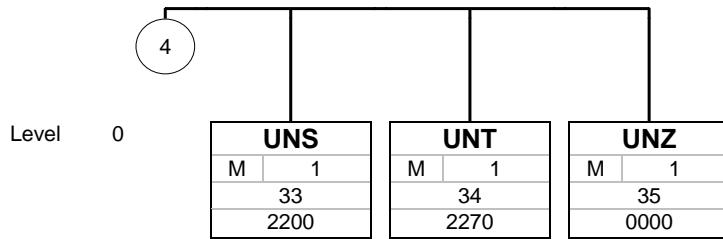
| | |
|---------|--------|
| Tag | |
| St | MaxOcc |
| No | |
| Counter | |

Tag = Segment/Group Tag
 St = Status (M=Mandatory, C=Conditional, R=Required, O=Optional, A=Advised, D=Dependent)
 MaxOcc = Maximum occurrence of the segment/group
 No = Consecutive segment number
 Counter = Counter of segment/group within the standard



| |
|-----------|
| Tag |
| St MaxOcc |
| No |
| Counter |

Tag = Segment/Group Tag
 St = Status (M=Mandatory, C=Conditional, R=Required, O=Optional, A=Advised, D=Dependent)
 MaxOcc = Maximum occurrence of the segment/group
 No = Consecutive segment number
 Counter = Counter of segment/group within the standard



| |
|-----------|
| Tag |
| St MaxOcc |
| No |
| Counter |

Tag = Segment/Group Tag
 St = Status (M=Mandatory, C=Conditional, R=Required, O=Optional, A=Advised, D=Dependent)
 MaxOcc = Maximum occurrence of the segment/group
 No = Consecutive segment number
 Counter = Counter of segment/group within the standard

Segments

| Counter | No | Tag | St | MaxOcc | Level | Name |
|---------|----|-----|----|--------|-------|------|
|---------|----|-----|----|--------|-------|------|

| | | | | | | |
|------|---|------------|---|---|---|-----------------------|
| 0000 | 1 | UNA | C | 1 | 0 | Service string advice |
|------|---|------------|---|---|---|-----------------------|

| Standard | | | Implementation | |
|----------|----------------------------------|-----------|----------------|--------------------------------------------------------------------------------------------------------------------|
| Tag | Name | St Format | St Format | Usage / Remark |
| UNA | | | | |
| UNA1 | Component data element separator | M an1 | M an1 | Used as a separator between component data elements contained within a composite data element (default value: ":") |
| UNA2 | Data element separator | M an1 | M an1 | Used to separate two simple or composite data elements (default value: "+") |
| UNA3 | Decimal notation | M an1 | M an1 | Used to indicate the character used for decimal notation (default value: ".") |
| UNA4 | Release indicator | M an1 | M an1 | Used to restore any service character to its original specification (value: "?"). |
| UNA5 | Reserved for future use | M an1 | M an1 | (default value: space) |
| UNA6 | Segment terminator | M an1 | M an1 | Used to indicate the end of segment data (default value: "'") |

Remark:

Provides details about the special characters used in the message.

Example:

UNA:+. ? ' '

No = Consecutive segment number
 MaxOcc = Maximum occurrence of the segment/group
 Counter = Counter of segment/group within the standard

St = Status
 EDIFACT: M=Mandatory, C=Conditional
 User specific: R=Required, O=Optional, D=Dependent,
 A=Advised, N=Not used

| Counter | No | Tag | St | MaxOcc | Level | Name |
|---------|----|-----|----|--------|-------|------|
|---------|----|-----|----|--------|-------|------|

0000 2 **UNB** M 1 0 Interchange header

| Standard | | | Implementation | |
|----------|------------------------------------------|-----------|----------------|---------------------------------------------------------------------------------------------------------------------------------------------------------------------------------------------------------------------------------------------------------------------------------------------------------------------------------------|
| Tag | Name | St Format | St Format | Usage / Remark |
| UNB | | | | |
| S001 | Syntax identifier | M | M | |
| 0001 | Syntax identifier | M a4 | M a4 | The encoding of the message. Always ISO-8859-1 UNOC UN/EDC level C |
| 0002 | Syntax version number | M n1 | M n1 | 3 Version 3 |
| S002 | Interchange sender | M | M | |
| 0004 | Sender identification | M an..35 | M an..35 | Sender of the EDIFACT message. Identified using a Global Location Number (GLN), a Dun & Bradstreet Number (DUNS), or a mutually agreed identifier. NEUTRIK strongly encourages the use of GLN and DUNS numbers. |
| 0007 | Partner identification code qualifier | C an..4 | R an..4 | 01 DUNS (Data Universal Numbering System) 14 EAN (European Article Numbering Association) ZZ Mutually defined |
| 0008 | Address for reverse routing | C an..14 | N | Not used |
| S003 | Interchange recipient | M | M | |
| 0010 | Recipient identification | M an..35 | M an..35 | Recipient of the EDIFACT message. Identified using a Global Location Number (GLN), a Dun & Bradstreet Number (DUNS), or a mutually agreed identifier. NEUTRIK strongly encourages the use of GLN and DUNS numbers. |
| 0007 | Partner identification code qualifier | C an..4 | R an..4 | 01 DUNS (Data Universal Numbering System) 14 EAN (European Article Numbering Association) ZZ Mutually defined |
| 0014 | Routing address | C an..14 | N | Not used |
| S004 | Date/time of preparation | M | M | |
| 0017 | Date of preparation | M n6 | M n6 | Document date using format YYMMDD |
| 0019 | Time of preparation | M n4 | M n4 | Document time using format HHMM |
| 0020 | Interchange control reference | M an..14 | M an..14 | Unique reference identifying the interchange. Created by the sender's system. In order to allow for an easy lookup of interchange numbers in case of message disputes, it is encouraged that interchange reference numbers are unique per sender/receiver combination. Usually this means, that auto increment numbers shall be used. |
| S005 | Recipient's reference, password | C | N | |
| 0022 | Recipient's reference/password | M an..14 | N | Not used |
| 0025 | Recipient's reference/password qualifier | C an2 | N | Not used |
| 0026 | Application reference | C an..14 | N | Not used |
| 0029 | Processing priority code | C a1 | N | Not used |
| 0031 | Acknowledgement request | C n1 | N | Not used |
| 0032 | Communications agreement ID | C an..35 | N | Not used |
| 0035 | Test indicator | C n1 | C n1 | If set to 1, it indicates that the given message is a test message and shall not be processed in the production system of the message recipient. 1 Interchange is a test |

Remark:

This segment is used to envelope the interchange, as well as to identify both, the party to whom the interchange is sent and the party who has sent the interchange. The principle of the UNB segment is the same as a physical envelope which covers one or more letters or documents, and which details, both the address where delivery is to take place and the address from where the envelope

No = Consecutive segment number
MaxOcc = Maximum occurrence of the segment/group
Counter = Counter of segment/group within the standard

St = Status
EDIFACT: M=Mandatory, C=Conditional
User specific: R=Required, O=Optional, D=Dependent,
A=Advised, N=Not used

has come.

Example:

UNB+UNOC:3+9999999999992:14+448026955:01+190306:1600+1234+++++1'

No = Consecutive segment number
MaxOcc = Maximum occurrence of the segment/group
Counter = Counter of segment/group within the standard

St = Status
EDIFACT: M=Mandatory, C=Conditional
User specific: R=Required, O=Optional, D=Dependent,
A=Advised, N=Not used

| Counter | No | Tag | St | MaxOcc | Level | Name |
|---------|----|------------|----|--------|-------|----------------|
| 0010 | 3 | UNH | M | 1 | 0 | Message header |

| Standard | | | Implementation | |
|----------|---------------------------|-----------|----------------|-------------------------------------------------------------------------------------------------------------------------------------------------------|
| Tag | Name | St Format | St Format | Usage / Remark |
| UNH | | | | |
| 0062 | Message reference number | M an..14 | M an..14 | Sender's unique message reference. Sequence number of the messages in the interchange. DE 0062 in the UNT will be exactly the same. Sender generated. |
| S009 | Message identifier | M | M | |
| 0065 | Message type | M an..6 | M an..6 | ORDRSP Purchase order response message |
| 0052 | Message version number | M an..3 | M an..3 | D Draft version/UN/EDIFACT Directory |
| 0054 | Message release number | M an..3 | M an..3 | 01B Release 2001 - B |
| 0051 | Controlling agency | M an..2 | M an..2 | UN UN/CEFACT |
| 0057 | Association assigned code | C an..6 | N | Not used |
| 0068 | Common access reference | C an..35 | N | Not used |
| S010 | Status of the transfer | C | N | |
| 0070 | Sequence of transfers | M n..2 | N | Not used |
| 0073 | First and last transfer | C a1 | N | Not used |

Remark:

This segment is used to head, identify and specify a message.

Example:

UNH+112233+ORDRSP:D:01B:UN'

No = Consecutive segment number
 MaxOcc = Maximum occurrence of the segment/group
 Counter = Counter of segment/group within the standard

St = Status
 EDIFACT: M=Mandatory, C=Conditional
 User specific: R=Required, O=Optional, D=Dependent,
 A=Advised, N=Not used

| Counter | No | Tag | St | MaxOcc | Level | Name |
|---------|----|------------|----|--------|-------|----------------------|
| 0020 | 4 | BGM | M | 1 | 0 | Beginning of message |

| Standard | | | Implementation | |
|----------|-----------------------------------|-----------|----------------|------------------------------------------------------------------------------------------------------------------------------------------------------------------------------------------------------------------------------------------------------------------------------------------------------------------------------|
| Tag | Name | St Format | St Format | Usage / Remark |
| BGM | | | | |
| C002 | Document/message name | C | C | |
| 1001 | Document name code | C an..3 | R an..3 | 231 Purchase order response |
| 1131 | Code list identification code | C an..17 | N | Not used |
| 3055 | Code list responsible agency code | C an..3 | N | Not used |
| 1000 | Document name | C an..35 | N | Not used |
| C106 | Document/message identification | C | R | |
| 1004 | Document identifier | C an..35 | R an..35 | Purchase order response number assigned by document sender. |
| 1056 | Version identifier | C an..9 | N | Not used |
| 1060 | Revision identifier | C an..6 | N | Not used |
| 1225 | Message function code | C an..3 | R an..3 | The message function of a purchase order response indicates if the message contains items to be changed (4) or if the items stay unchanged (9) in regard to the original purchase order. What kind of change actually occurred is outlined using the action code in the LIN segment. 9 Original 4 Change |
| 4343 | Response type code | C an..3 | N | Not used |

Remark:

This segment is used to indicate the type and function of a message and to transmit the identifying number.

Example:

BGM+231+45130831+9'

No = Consecutive segment number
MaxOcc = Maximum occurrence of the segment/group
Counter = Counter of segment/group within the standard

St = Status
EDIFACT: M=Mandatory, C=Conditional
User specific: R=Required, O=Optional, D=Dependent,
A=Advised, N=Not used

| Counter | No | Tag | St | MaxOcc | Level | Name |
|---------|----|------------|----|--------|-------|------------------|
| 0030 | 5 | DTM | M | 35 | 1 | Date/time/period |

| Standard | | | Implementation | |
|----------|------------------------------------------------|-----------|----------------|--------------------------------------------------------|
| Tag | Name | St Format | St Format | Usage / Remark |
| DTM | | | | |
| C507 | Date/time/period | M | M | |
| 2005 | Date or time or period function code qualifier | M an..3 | M an..3 | Type of date. 137 Document/message date/time |
| 2380 | Date or time or period value | C an..35 | R an..35 | The date value. |
| 2379 | Date or time or period format code | C an..3 | R an..3 | 102 CCYYMMDD |

Remark:

This segment is used to specify the document issue date.

Example:

DTM+137:20190118:102'

No = Consecutive segment number
MaxOcc = Maximum occurrence of the segment/group
Counter = Counter of segment/group within the standard

St = Status
EDIFACT: M=Mandatory, C=Conditional
User specific: R=Required, O=Optional, D=Dependent,
A=Advised, N=Not used

| Counter | No | Tag | St | MaxOcc | Level | Name |
|---------|----|------------|----|--------|-------|------------------|
| 0090 | | SG1 | C | 9999 | 1 | RFF-DTM |
| 0100 | 6 | RFF | M | 1 | 1 | Reference |

| Standard | | | Implementation | |
|----------|------------------------------|-----------|----------------|----------------------------------------------------------------------------------------------------------|
| Tag | Name | St Format | St Format | Usage / Remark |
| RFF | | | | |
| C506 | Reference | M | M | |
| 1153 | Reference code qualifier | M an..3 | M an..3 | ON Order number (purchase) |
| 1154 | Reference identifier | C an..70 | C an..70 | The number of the original purchase order, which is the basis for this purchase order response document. |
| 1156 | Document line identifier | C an..6 | N | Not used |
| 4000 | Reference version identifier | C an..35 | N | Not used |
| 1060 | Revision identifier | C an..6 | N | Not used |

Remark:

This segment is used to provide a reference to the original purchase order document, for which this purchase order response document is issued.

Example:

RFF+ON: 45130831'

No = Consecutive segment number
 MaxOcc = Maximum occurrence of the segment/group
 Counter = Counter of segment/group within the standard

St = Status
 EDIFACT: M=Mandatory, C=Conditional
 User specific: R=Required, O=Optional, D=Dependent,
 A=Advised, N=Not used

| Counter | No | Tag | St | MaxOcc | Level | Name |
|---------|----|------------|----|--------|-------|------------------|
| 0090 | | SG1 | C | 9999 | 1 | RFF-DTM |
| 0110 | 7 | DTM | C | 5 | 2 | Date/time/period |

| Standard | | | Implementation | |
|----------|------------------------------------------------|-----------|----------------|--------------------------------|
| Tag | Name | St Format | St Format | Usage / Remark |
| DTM | | | | |
| C507 | Date/time/period | M | M | |
| 2005 | Date or time or period function code qualifier | M an..3 | M an..3 | 171 Reference date/time |
| 2380 | Date or time or period value | C an..35 | C an..35 | Date value |
| 2379 | Date or time or period format code | C an..3 | C an..3 | 102 CCYYMMDD |

Remark:

This segment provides the date of the original purchase order.

Example:

DTM+171:20190119:102'

No = Consecutive segment number
 MaxOcc = Maximum occurrence of the segment/group
 Counter = Counter of segment/group within the standard

St = Status
 EDIFACT: M=Mandatory, C=Conditional
 User specific: R=Required, O=Optional, D=Dependent,
 A=Advised, N=Not used

| Counter | No | Tag | St | MaxOcc | Level | Name |
|---------|------|------------|----|--------|-------|-------------------------|
| | 0150 | SG3 | R | 99 | 1 | NAD-SG4-SG6 |
| | 0160 | NAD | M | 1 | 1 | Name and address |

| Standard | | | Implementation | |
|----------|-------------------------------------------------|-----------|----------------|---------------------------------------------------------------------------------------------------------------------------------------------------------------------------------------------------------------------|
| Tag | Name | St Format | St Format | Usage / Remark |
| NAD | | | | |
| 3035 | Party function code qualifier | M an..3 | M an..3 | BY Buyer |
| C082 | Party identification details | C | R | |
| 3039 | Party identifier | M an..35 | M an..35 | The involved business entities are identified using a Global Location Number (GLN), a Dun & Bradstreet Number (DUNS), or a mutually agreed identifier. NEUTRIK strongly encourages the use of GLN and DUNS numbers. |
| 1131 | Code list identification code | C an..17 | N | Not used |
| 3055 | Code list responsible agency code | C an..3 | R an..3 | 9 EAN (International Article Numbering association) 16 US, D&B (Dun & Bradstreet Corporation) ZZZ Mutually defined |
| C058 | Name and address | C | N | |
| 3124 | Name and address description | M an..35 | N | Not used |
| 3124 | Name and address description | C an..35 | N | Not used |
| 3124 | Name and address description | C an..35 | N | Not used |
| 3124 | Name and address description | C an..35 | N | Not used |
| 3124 | Name and address description | C an..35 | N | Not used |
| C080 | Party name | C | C | |
| 3036 | Party name | M an..35 | M an..35 | Name of the business partner. |
| 3036 | Party name | C an..35 | O an..35 | Name of the business partner. |
| 3036 | Party name | C an..35 | N | Not used |
| 3036 | Party name | C an..35 | N | Not used |
| 3036 | Party name | C an..35 | N | Not used |
| 3045 | Party name format code | C an..3 | N | Not used |
| C059 | Street | C | C | Address details such as street or post office box of the business partner. |
| 3042 | Street and number or post office box identifier | M an..35 | M an..35 | |
| 3042 | Street and number or post office box identifier | C an..35 | D an..35 | |
| 3042 | Street and number or post office box identifier | C an..35 | N | Not used |
| 3042 | Street and number or post office box identifier | C an..35 | N | Not used |
| 3164 | City name | C an..35 | D an..35 | City name of the business partner |
| C819 | Country sub-entity details | C | N | |
| 3229 | Country sub-entity name code | C an..9 | N | Not used |
| 1131 | Code list identification code | C an..17 | N | Not used |
| 3055 | Code list responsible agency code | C an..3 | N | Not used |
| 3228 | Country sub-entity name | C an..70 | N | Not used |
| 3251 | Postal identification code | C an..17 | D an..17 | Postal code of the business partner. |
| 3207 | Country name code | C an..3 | D an..3 | Used to provide the country of the business partner. ISO 3166 2-Alpha Codes shall be used. |

Remark:

This segment is used to identify the buying party.

No = Consecutive segment number
MaxOcc = Maximum occurrence of the segment/group
Counter = Counter of segment/group within the standard

St = Status
EDIFACT: M=Mandatory, C=Conditional
User specific: R=Required, O=Optional, D=Dependent,
A=Advised, N=Not used

Example:

NAD+BY+448026955::16++NEUTRIK AG+Im alten Riet 143+Schaan++9494+LI'

No = Consecutive segment number
MaxOcc = Maximum occurrence of the segment/group
Counter = Counter of segment/group within the standard

St = Status
EDIFACT: M=Mandatory, C=Conditional
User specific: R=Required, O=Optional, D=Dependent,
A=Advised, N=Not used

| Counter | No | Tag | St | MaxOcc | Level | Name |
|---------|----|------------|----|--------|-------|-----------|
| 0190 | | SG4 | C | 99 | 2 | RFF |
| 0200 | 9 | RFF | M | 1 | 2 | Reference |

| Standard | | | Implementation | |
|----------|------------------------------|-----------|----------------|----------------------------------------------------------------------------------------------------------------------------------------------------------------------------------|
| Tag | Name | St Format | St Format | Usage / Remark |
| RFF | | | | |
| C506 | Reference | M | M | |
| 1153 | Reference code qualifier | M an..3 | M an..3 | Creditor's reference number. This is the number, by which NEUTRIK is known at the supplier's side. Must occur with the NAD+BY segment. AHL Creditor's reference number |
| 1154 | Reference identifier | C an..70 | R an..70 | The reference number. |
| 1156 | Document line identifier | C an..6 | N | Not used |
| 4000 | Reference version identifier | C an..35 | N | Not used |
| 1060 | Revision identifier | C an..6 | N | Not used |

Remark:

This segment is used to specify the creditor's reference number. This is the number, by which NEUTRIK is known at the supplier's side.

Example:

RFF+ AHL: 506022'

No = Consecutive segment number
MaxOcc = Maximum occurrence of the segment/group
Counter = Counter of segment/group within the standard

St = Status
EDIFACT: M=Mandatory, C=Conditional
User specific: R=Required, O=Optional, D=Dependent,
A=Advised, N=Not used

| Counter | No | Tag | St | MaxOcc | Level | Name |
|---------|------|---------------|----|--------|-------|----------------------------|
| | 0250 | SG6 | C | 5 | 2 | CTA-COM |
| | 0260 | 10 CTA | M | 1 | 2 | Contact information |

| Standard | | | Implementation | |
|----------|----------------------------------|-----------|----------------|-------------------------------------------------------------------|
| Tag | Name | St Format | St Format | Usage / Remark |
| CTA | | | | |
| 3139 | Contact function code | C an..3 | M an..3 | The contact at the buyer's side. IC Information contact |
| C056 | Department or employee details | C | C | |
| 3413 | Department or employee name code | C an..17 | N | Not used |
| 3412 | Department or employee name | C an..35 | M an..35 | Name of the contact person. |

Remark:

This segment is used to provide details about the business party's contact person.

Example:

CTA+IC+:Jane Doe'

No = Consecutive segment number
 MaxOcc = Maximum occurrence of the segment/group
 Counter = Counter of segment/group within the standard

St = Status
 EDIFACT: M=Mandatory, C=Conditional
 User specific: R=Required, O=Optional, D=Dependent,
 A=Advised, N=Not used

| Counter | No | Tag | St | MaxOcc | Level | Name |
|---------|------|---------------|----|--------|-------|------------------------------|
| | 0250 | SG6 | C | 5 | 2 | CTA-COM |
| | 0270 | 11 COM | C | 5 | 3 | Communication contact |

| Standard | | | Implementation | |
|----------|--------------------------------------|-----------|----------------|-----------------------------------------------------------------------|
| Tag | Name | St Format | St Format | Usage / Remark |
| COM | | | | |
| C076 | Communication contact | M | M | |
| 3148 | Communication address identifier | M an..512 | M an..512 | Communication details |
| 3155 | Communication address code qualifier | M an..3 | M an..3 | EM Electronic mail FX Telefax TE Telephone |

Remark:

This segment identifies the communications number, and type of communications, for the person or department identified in the preceding CTA segment.

Example:

COM+jane.doe@neutrik.com:EM'
COM+(00423) 6175 4009-0:TE'
COM+(00423) 6175 4020-10:FX'

No = Consecutive segment number
MaxOcc = Maximum occurrence of the segment/group
Counter = Counter of segment/group within the standard

St = Status
EDIFACT: M=Mandatory, C=Conditional
User specific: R=Required, O=Optional, D=Dependent,
A=Advised, N=Not used

| Counter | No | Tag | St | MaxOcc | Level | Name |
|---------|------|------------|----|--------|-------|-------------------------|
| | 0150 | SG3 | R | 99 | 1 | NAD-SG4-SG6 |
| | 0160 | NAD | M | 1 | 1 | Name and address |

| Standard | | | Implementation | |
|----------|-------------------------------------------------|-----------|----------------|---------------------------------------------------------------------------------------------------------------------------------------------------------------------------------------------------------------------|
| Tag | Name | St Format | St Format | Usage / Remark |
| NAD | | | | |
| 3035 | Party function code qualifier | M an..3 | M an..3 | SU Supplier |
| C082 | Party identification details | C | R | |
| 3039 | Party identifier | M an..35 | M an..35 | The involved business entities are identified using a Global Location Number (GLN), a Dun & Bradstreet Number (DUNS), or a mutually agreed identifier. NEUTRIK strongly encourages the use of GLN and DUNS numbers. |
| 1131 | Code list identification code | C an..17 | N | Not used |
| 3055 | Code list responsible agency code | C an..3 | R an..3 | 9 EAN (International Article Numbering association) 16 US, D&B (Dun & Bradstreet Corporation) ZZZ Mutually defined |
| C058 | Name and address | C | N | |
| 3124 | Name and address description | M an..35 | N | Not used |
| 3124 | Name and address description | C an..35 | N | Not used |
| 3124 | Name and address description | C an..35 | N | Not used |
| 3124 | Name and address description | C an..35 | N | Not used |
| 3124 | Name and address description | C an..35 | N | Not used |
| C080 | Party name | C | C | |
| 3036 | Party name | M an..35 | M an..35 | Name of the business partner. |
| 3036 | Party name | C an..35 | O an..35 | Name of the business partner. |
| 3036 | Party name | C an..35 | N | Not used |
| 3036 | Party name | C an..35 | N | Not used |
| 3036 | Party name | C an..35 | N | Not used |
| 3045 | Party name format code | C an..3 | N | Not used |
| C059 | Street | C | C | Address details such as street or post office box of the business partner. |
| 3042 | Street and number or post office box identifier | M an..35 | M an..35 | |
| 3042 | Street and number or post office box identifier | C an..35 | D an..35 | |
| 3042 | Street and number or post office box identifier | C an..35 | N | Not used |
| 3042 | Street and number or post office box identifier | C an..35 | N | Not used |
| 3164 | City name | C an..35 | D an..35 | City name of the business partner |
| C819 | Country sub-entity details | C | N | |
| 3229 | Country sub-entity name code | C an..9 | N | Not used |
| 1131 | Code list identification code | C an..17 | N | Not used |
| 3055 | Code list responsible agency code | C an..3 | N | Not used |
| 3228 | Country sub-entity name | C an..70 | N | Not used |
| 3251 | Postal identification code | C an..17 | D an..17 | Postal code of the business partner. |
| 3207 | Country name code | C an..3 | D an..3 | Used to provide the country of the business partner. ISO 3166 2-Alpha Codes shall be used. |

Remark:

This segment is used to identify the supplying party.

No = Consecutive segment number
MaxOcc = Maximum occurrence of the segment/group
Counter = Counter of segment/group within the standard

St = Status
EDIFACT: M=Mandatory, C=Conditional
User specific: R=Required, O=Optional, D=Dependent,
A=Advised, N=Not used

Example:

NAD+SU+8888888888881::9++ABC Technics+Sample Street 145+Vienna++1080+AT'

No = Consecutive segment number
MaxOcc = Maximum occurrence of the segment/group
Counter = Counter of segment/group within the standard

St = Status
EDIFACT: M=Mandatory, C=Conditional
User specific: R=Required, O=Optional, D=Dependent,
A=Advised, N=Not used

| Counter | No | Tag | St | MaxOcc | Level | Name |
|---------|----|------------|----|--------|-------|-----------|
| 0190 | | SG4 | C | 99 | 2 | RFF |
| 0200 | 13 | RFF | M | 1 | 2 | Reference |

| Standard | | | Implementation | |
|----------|------------------------------|-----------|----------------|------------------------------------------------------------------------------------------------------------------------------------------------------------------------------|
| Tag | Name | St Format | St Format | Usage / Remark |
| RFF | | | | |
| C506 | Reference | M | M | |
| 1153 | Reference code qualifier | M an..3 | M an..3 | Debtor's reference number. This is the number, by which the supplier is known at NEUTRIK's side. Must occur with the NAD+SU segment. AHM Debtor's reference number |
| 1154 | Reference identifier | C an..70 | R an..70 | The reference number. |
| 1156 | Document line identifier | C an..6 | N | Not used |
| 4000 | Reference version identifier | C an..35 | N | Not used |
| 1060 | Revision identifier | C an..6 | N | Not used |

Remark:

This segment is used to specify the debtor's reference number. This is the number, by which by which the supplier is known at NEUTRIK's side.

Example:

RFF+AHM:448623'

No = Consecutive segment number
MaxOcc = Maximum occurrence of the segment/group
Counter = Counter of segment/group within the standard

St = Status
EDIFACT: M=Mandatory, C=Conditional
User specific: R=Required, O=Optional, D=Dependent,
A=Advised, N=Not used

| Counter | No | Tag | St | MaxOcc | Level | Name | |
|---------|------|------------|------------|--------|-------|----------------|----------------------------|
| | 0250 | SG6 | C | 5 | 2 | CTA-COM | |
| | 0260 | 14 | CTA | M | 1 | 2 | Contact information |

| Standard | | | Implementation | |
|----------|----------------------------------|-----------|----------------|----------------------------------------------------------------------|
| Tag | Name | St Format | St Format | Usage / Remark |
| CTA | | | | |
| 3139 | Contact function code | C an..3 | M an..3 | The contact at the supplier's side. IC Information contact |
| C056 | Department or employee details | C | C | |
| 3413 | Department or employee name code | C an..17 | N | Not used |
| 3412 | Department or employee name | C an..35 | M an..35 | Name of the contact person. |

Remark:

This segment is used to provide details about the business party's contact person.

Example:

CTA+IC+:Markus Mueller'

No = Consecutive segment number
 MaxOcc = Maximum occurrence of the segment/group
 Counter = Counter of segment/group within the standard

St = Status
 EDIFACT: M=Mandatory, C=Conditional
 User specific: R=Required, O=Optional, D=Dependent,
 A=Advised, N=Not used

| Counter | No | Tag | St | MaxOcc | Level | Name |
|---------|------|---------------|----|--------|-------|------------------------------|
| | 0250 | SG6 | C | 5 | 2 | CTA-COM |
| | 0270 | 15 COM | C | 5 | 3 | Communication contact |

| Standard | | | Implementation | |
|----------|--------------------------------------|-----------|----------------|-----------------------------------------------------------------------|
| Tag | Name | St Format | St Format | Usage / Remark |
| COM | | | | |
| C076 | Communication contact | M | M | |
| 3148 | Communication address identifier | M an..512 | M an..512 | Communication details |
| 3155 | Communication address code qualifier | M an..3 | M an..3 | EM Electronic mail FX Telefax TE Telephone |

Remark:

This segment identifies the communications number, and type of communications, for the person or department identified in the preceding CTA segment.

Example:

```
COM+markus.mueller@abc.com:EM'
COM+(43) 1 2255 3015-0:TE'
COM+(43) 1 2255 3015-10:FX'
```

No = Consecutive segment number
MaxOcc = Maximum occurrence of the segment/group
Counter = Counter of segment/group within the standard

St = Status
EDIFACT: M=Mandatory, C=Conditional
User specific: R=Required, O=Optional, D=Dependent,
A=Advised, N=Not used

| Counter | No | Tag | St | MaxOcc | Level | Name |
|---------|------|------------|----|--------|-------|-------------------------|
| | 0150 | SG3 | R | 99 | 1 | NAD-LOC |
| | 0160 | NAD | M | 1 | 1 | Name and address |

| Standard | | | Implementation | |
|----------|-------------------------------------------------|-----------|----------------|---------------------------------------------------------------------------------------------------------------------------------------------------------------------------------------------------------------------|
| Tag | Name | St Format | St Format | Usage / Remark |
| NAD | | | | |
| 3035 | Party function code qualifier | M an..3 | M an..3 | DP Delivery party |
| C082 | Party identification details | C | R | |
| 3039 | Party identifier | M an..35 | M an..35 | The involved business entities are identified using a Global Location Number (GLN), a Dun & Bradstreet Number (DUNS), or a mutually agreed identifier. NEUTRIK strongly encourages the use of GLN and DUNS numbers. |
| 1131 | Code list identification code | C an..17 | N | Not used |
| 3055 | Code list responsible agency code | C an..3 | R an..3 | 9 EAN (International Article Numbering association) 16 US, D&B (Dun & Bradstreet Corporation) ZZZ Mutually defined |
| C058 | Name and address | C | N | |
| 3124 | Name and address description | M an..35 | N | Not used |
| 3124 | Name and address description | C an..35 | N | Not used |
| 3124 | Name and address description | C an..35 | N | Not used |
| 3124 | Name and address description | C an..35 | N | Not used |
| 3124 | Name and address description | C an..35 | N | Not used |
| C080 | Party name | C | C | |
| 3036 | Party name | M an..35 | M an..35 | Name of the business partner. |
| 3036 | Party name | C an..35 | O an..35 | Name of the business partner. |
| 3036 | Party name | C an..35 | N | Not used |
| 3036 | Party name | C an..35 | N | Not used |
| 3036 | Party name | C an..35 | N | Not used |
| 3045 | Party name format code | C an..3 | N | Not used |
| C059 | Street | C | C | Address details such as street or post office box of the business partner. |
| 3042 | Street and number or post office box identifier | M an..35 | M an..35 | |
| 3042 | Street and number or post office box identifier | C an..35 | D an..35 | |
| 3042 | Street and number or post office box identifier | C an..35 | N | Not used |
| 3042 | Street and number or post office box identifier | C an..35 | N | Not used |
| 3164 | City name | C an..35 | D an..35 | City name of the business partner |
| C819 | Country sub-entity details | C | N | |
| 3229 | Country sub-entity name code | C an..9 | N | Not used |
| 1131 | Code list identification code | C an..17 | N | Not used |
| 3055 | Code list responsible agency code | C an..3 | N | Not used |
| 3228 | Country sub-entity name | C an..70 | N | Not used |
| 3251 | Postal identification code | C an..17 | D an..17 | Postal code of the business partner. |
| 3207 | Country name code | C an..3 | D an..3 | Used to provide the country of the business partner. ISO 3166 2-Alpha Codes shall be used. |

Remark:

This segment is used to identify the delivery party.

No = Consecutive segment number
MaxOcc = Maximum occurrence of the segment/group
Counter = Counter of segment/group within the standard

St = Status
EDIFACT: M=Mandatory, C=Conditional
User specific: R=Required, O=Optional, D=Dependent,
A=Advised, N=Not used

Example:

NAD+DP+448026955::16++NEUTRIK AG+Im alten Riet 143+Schaan++9494+LI'

No = Consecutive segment number
MaxOcc = Maximum occurrence of the segment/group
Counter = Counter of segment/group within the standard

St = Status
EDIFACT: M=Mandatory, C=Conditional
User specific: R=Required, O=Optional, D=Dependent,
A=Advised, N=Not used

| Counter | No | Tag | St | MaxOcc | Level | Name |
|---------|------|------------|----|--------|-------|--------------------------------------|
| | 0150 | SG3 | R | 99 | 1 | NAD-LOC |
| | 0170 | LOC | C | 25 | 2 | Place/location identification |

| Standard | | | Implementation | |
|------------|-------------------------------------|-----------|----------------|----------------------------------------------|
| Tag | Name | St Format | St Format | Usage / Remark |
| LOC | | | | |
| 3227 | Location function code qualifier | M an..3 | M an..3 | 7 Place of delivery |
| C517 | Location identification | C | C | |
| 3225 | Location name code | C an..25 | C an..25 | Storage location identifier |
| 1131 | Code list identification code | C an..17 | N | Not used |
| 3055 | Code list responsible agency code | C an..3 | C an..3 | 92 Assigned by buyer or buyer's agent |
| 3224 | Location name | C an..256 | N | Not used |
| C519 | Related location one identification | C | N | |
| 3223 | First related location name code | C an..25 | N | Not used |
| 1131 | Code list identification code | C an..17 | N | Not used |
| 3055 | Code list responsible agency code | C an..3 | N | Not used |
| 3222 | First related location name | C an..70 | N | Not used |
| C553 | Related location two identification | C | N | |
| 3233 | Second related location name code | C an..25 | N | Not used |
| 1131 | Code list identification code | C an..17 | N | Not used |
| 3055 | Code list responsible agency code | C an..3 | N | Not used |
| 3232 | Second related location name | C an..70 | N | Not used |
| 5479 | Relation code | C an..3 | N | Not used |

Remark:

Used to provide the NEUTRIK factory code (storage location), i.e. the plant where the goods shall be delivered.

Example:

LOC+7+1000:::92'

No = Consecutive segment number
 MaxOcc = Maximum occurrence of the segment/group
 Counter = Counter of segment/group within the standard

St = Status
 EDIFACT: M=Mandatory, C=Conditional
 User specific: R=Required, O=Optional, D=Dependent,
 A=Advised, N=Not used

| Counter | No | Tag | St | MaxOcc | Level | Name |
|---------|------|------------|------------|--------|-------|---------------------------|
| | 0150 | SG3 | R | 99 | 1 | NAD |
| | 0160 | 18 | NAD | M | 1 | 1 Name and address |

| Standard | | | Implementation | |
|----------|-------------------------------------------------|-----------|----------------|---------------------------------------------------------------------------------------------------------------------------------------------------------------------------------------------------------------------|
| Tag | Name | St Format | St Format | Usage / Remark |
| NAD | | | | |
| 3035 | Party function code qualifier | M an..3 | M an..3 | IV Invoicee |
| C082 | Party identification details | C | R | |
| 3039 | Party identifier | M an..35 | M an..35 | The involved business entities are identified using a Global Location Number (GLN), a Dun & Bradstreet Number (DUNS), or a mutually agreed identifier. NEUTRIK strongly encourages the use of GLN and DUNS numbers. |
| 1131 | Code list identification code | C an..17 | N | Not used |
| 3055 | Code list responsible agency code | C an..3 | R an..3 | 9 EAN (International Article Numbering association) 16 US, D&B (Dun & Bradstreet Corporation) ZZZ Mutually defined |
| C058 | Name and address | C | N | |
| 3124 | Name and address description | M an..35 | N | Not used |
| 3124 | Name and address description | C an..35 | N | Not used |
| 3124 | Name and address description | C an..35 | N | Not used |
| 3124 | Name and address description | C an..35 | N | Not used |
| 3124 | Name and address description | C an..35 | N | Not used |
| C080 | Party name | C | C | |
| 3036 | Party name | M an..35 | M an..35 | Name of the business partner. |
| 3036 | Party name | C an..35 | O an..35 | Name of the business partner. |
| 3036 | Party name | C an..35 | N | Not used |
| 3036 | Party name | C an..35 | N | Not used |
| 3036 | Party name | C an..35 | N | Not used |
| 3045 | Party name format code | C an..3 | N | Not used |
| C059 | Street | C | C | Address details such as street or post office box of the business partner. |
| 3042 | Street and number or post office box identifier | M an..35 | M an..35 | |
| 3042 | Street and number or post office box identifier | C an..35 | D an..35 | |
| 3042 | Street and number or post office box identifier | C an..35 | N | Not used |
| 3042 | Street and number or post office box identifier | C an..35 | N | Not used |
| 3164 | City name | C an..35 | D an..35 | City name of the business partner |
| C819 | Country sub-entity details | C | N | |
| 3229 | Country sub-entity name code | C an..9 | N | Not used |
| 1131 | Code list identification code | C an..17 | N | Not used |
| 3055 | Code list responsible agency code | C an..3 | N | Not used |
| 3228 | Country sub-entity name | C an..70 | N | Not used |
| 3251 | Postal identification code | C an..17 | D an..17 | Postal code of the business partner. |
| 3207 | Country name code | C an..3 | D an..3 | Used to provide the country of the business partner. ISO 3166 2-Alpha Codes shall be used. |

Remark:

This segment is used to identify the invoice party.

No = Consecutive segment number
MaxOcc = Maximum occurrence of the segment/group
Counter = Counter of segment/group within the standard

St = Status
EDIFACT: M=Mandatory, C=Conditional
User specific: R=Required, O=Optional, D=Dependent,
A=Advised, N=Not used

Example:

NAD+IV+448026955::16++NEUTRIK AG+Im alten Riet 143+Schaan++9494+LI'

No = Consecutive segment number
MaxOcc = Maximum occurrence of the segment/group
Counter = Counter of segment/group within the standard

St = Status
EDIFACT: M=Mandatory, C=Conditional
User specific: R=Required, O=Optional, D=Dependent,
A=Advised, N=Not used

| Counter | No | Tag | St | MaxOcc | Level | Name |
|---------|------|------------|------------|--------|-------|-------------------|
| | 0320 | SG8 | R | 5 | 1 | CUX |
| | 0330 | 19 | CUX | M | 1 | Currencies |

| Standard | | | Implementation | |
|------------|------------------------------------------|-----------|----------------|---------------------------------------------------------|
| Tag | Name | St Format | St Format | Usage / Remark |
| CUX | | | | |
| C504 | Currency details | C | C | |
| 6347 | Currency usage code qualifier | M an..3 | M an..3 | 2 Reference currency |
| 6345 | Currency identification code | C an..3 | R an..3 | The currency, ISO 4217 three alpha codes shall be used. |
| 6343 | Currency type code qualifier | C an..3 | N | Not used |
| 6348 | Currency rate value | C n..4 | N | Not used |
| C504 | Currency details | C | N | |
| 6347 | Currency usage code qualifier | M an..3 | N | Not used |
| 6345 | Currency identification code | C an..3 | N | Not used |
| 6343 | Currency type code qualifier | C an..3 | N | Not used |
| 6348 | Currency rate value | C n..4 | N | Not used |
| 5402 | Currency exchange rate | C n..12 | N | Not used |
| 6341 | Exchange rate currency market identifier | C an..3 | N | Not used |

Remark:

This segment is used to specify currency information for the complete document.

Example:

CUX+2 : EUR '

No = Consecutive segment number
MaxOcc = Maximum occurrence of the segment/group
Counter = Counter of segment/group within the standard

St = Status
EDIFACT: M=Mandatory, C=Conditional
User specific: R=Required, O=Optional, D=Dependent,
A=Advised, N=Not used

| Counter | No | Tag | St | MaxOcc | Level | Name |
|---------|----|-------------|----|--------|-------|---------------------------------------|
| 0460 | | SG12 | R | 5 | 1 | TOD |
| 0470 | 20 | TOD | M | 1 | 1 | Terms of delivery or transport |

| Standard | | | Implementation | |
|----------|----------------------------------------------|-----------|----------------|--------------------------------------------------|
| Tag | Name | St Format | St Format | Usage / Remark |
| TOD | | | | |
| 4055 | Delivery or transport terms function code | C an..3 | R an..3 | 6 Delivery condition |
| 4215 | Transport charges payment method code | C an..3 | N | Not used |
| C100 | Terms of delivery or transport | C | C | |
| 4053 | Delivery or transport terms description code | C an..3 | R an..3 | INCOTERMS |
| 1131 | Code list identification code | C an..17 | N | Not used |
| 3055 | Code list responsible agency code | C an..3 | R an..3 | 4 ICC (International Chamber of Commerce) |
| 4052 | Delivery or transport terms description | C an..70 | N | Not used |
| 4052 | Delivery or transport terms description | C an..70 | N | Not used |

Remark:

This segment is used to specify the terms of delivery for the complete document.

Example:

TOD+6++DDP : : 4 '

No = Consecutive segment number
 MaxOcc = Maximum occurrence of the segment/group
 Counter = Counter of segment/group within the standard

St = Status
 EDIFACT: M=Mandatory, C=Conditional
 User specific: R=Required, O=Optional, D=Dependent,
 A=Advised, N=Not used

| Counter | No | Tag | St | MaxOcc | Level | Name |
|---------|------|-------------|----|--------|-------|-------------------------------------------|
| | 0970 | SG26 | M | 200000 | 1 | LIN-PIA-IMD-QTY-FTX-SG30-SG31-SG51 |
| | 0980 | LIN | M | 1 | 1 | Line item |

| Standard | | | Implementation | |
|----------|----------------------------------------------|-----------|----------------|---------------------------------------------------------------------------------------------------------------------------------------------------------------------------------------------------------------------------------------------------------------------------------------------------------------------------------|
| Tag | Name | St Format | St Format | Usage / Remark |
| LIN | | | | |
| 1082 | Line item identifier | C an..6 | C an..6 | The number of the acknowledged purchase order item. This number must be taken from the original purchase order, which was sent by Neutrik. The number must be exactly the same as in the original document from Neutrik, otherwise no processing is possible at Neutrik's side. Thus, all leading zeros etc. must be preserved. |
| 1229 | Action request/notification description code | C an..3 | R an..3 | Used to indicate the status of the line item, which shall be communicated using the purchase order response message. 5 Accepted without amendment 6 Accepted with amendment 7 Not accepted |
| C212 | Item number identification | C | C | |
| 7140 | Item identifier | C an..35 | O an..35 | If a GTIN is available for the ordered good, it is provided in this element. If no GTIN is available, this field remains empty and the supplier's and buyer's article numbers in the respective PIA elements are used instead. |
| 7143 | Item type identification code | C an..3 | O an..3 | SRV EAN.UCC Global Trade Item Number |
| 1131 | Code list identification code | C an..17 | N | Not used |
| 3055 | Code list responsible agency code | C an..3 | N | Not used |
| C829 | Sub-line information | C | N | |
| 5495 | Sub-line indicator code | C an..3 | N | Not used |
| 1082 | Line item identifier | C an..6 | N | Not used |
| 1222 | Configuration level number | C n..2 | N | Not used |
| 7083 | Configuration operation code | C an..3 | N | Not used |

Remark:

This segment is used to identify the item being ordered. The detail section of the purchase order response is formed by a repeating group of segments, always starting with the LIN segment.

Example:

LIN+00010+5+30614300103494:SRV'

No = Consecutive segment number
MaxOcc = Maximum occurrence of the segment/group
Counter = Counter of segment/group within the standard

St = Status
EDIFACT: M=Mandatory, C=Conditional
User specific: R=Required, O=Optional, D=Dependent,
A=Advised, N=Not used

| Counter | No | Tag | St | MaxOcc | Level | Name |
|---------|------|-------------|----|--------|-------|-------------------------------------------|
| | 0970 | SG26 | M | 200000 | 1 | LIN-PIA-IMD-QTY-FTX-SG30-SG31-SG51 |
| | 0990 | PIA | C | 25 | 2 | Additional product id |

| Standard | | | Implementation | | |
|----------|-----------------------------------|-----------|----------------|-------------------------------------|--|
| Tag | Name | St Format | St Format | Usage / Remark | |
| PIA | | | | | |
| 4347 | Product identifier code qualifier | M an..3 | M an..3 | 5 Product identification | |
| C212 | Item number identification | M | M | | |
| 7140 | Item identifier | C an..35 | R an..35 | Product identifier. | |
| 7143 | Item type identification code | C an..3 | R an..3 | BP Buyer's part number | |
| | | | | SA Supplier's article number | |
| 1131 | Code list identification code | C an..17 | N | Not used | |
| 3055 | Code list responsible agency code | C an..3 | N | Not used | |
| C212 | Item number identification | C | N | | |
| 7140 | Item identifier | C an..35 | N | Not used | |
| 7143 | Item type identification code | C an..3 | N | Not used | |
| 1131 | Code list identification code | C an..17 | N | Not used | |
| 3055 | Code list responsible agency code | C an..3 | N | Not used | |
| C212 | Item number identification | C | N | | |
| 7140 | Item identifier | C an..35 | N | Not used | |
| 7143 | Item type identification code | C an..3 | N | Not used | |
| 1131 | Code list identification code | C an..17 | N | Not used | |
| 3055 | Code list responsible agency code | C an..3 | N | Not used | |
| C212 | Item number identification | C | N | | |
| 7140 | Item identifier | C an..35 | N | Not used | |
| 7143 | Item type identification code | C an..3 | N | Not used | |
| 1131 | Code list identification code | C an..17 | N | Not used | |
| 3055 | Code list responsible agency code | C an..3 | N | Not used | |
| C212 | Item number identification | C | N | | |
| 7140 | Item identifier | C an..35 | N | Not used | |
| 7143 | Item type identification code | C an..3 | N | Not used | |
| 1131 | Code list identification code | C an..17 | N | Not used | |
| 3055 | Code list responsible agency code | C an..3 | N | Not used | |

Remark:

This segment is used to specify additional item identification codes such as the buyer's and the supplier's article number.

Example:

PIA+5+101173:SA'
PIA+5+91201521:BP'

No = Consecutive segment number
MaxOcc = Maximum occurrence of the segment/group
Counter = Counter of segment/group within the standard

St = Status
EDIFACT: M=Mandatory, C=Conditional
User specific: R=Required, O=Optional, D=Dependent,
A=Advised, N=Not used

| Counter | No | Tag | St | MaxOcc | Level | Name |
|---------|------|-------------|----|--------|-------|-------------------------------------------|
| | 0970 | SG26 | M | 200000 | 1 | LIN-PIA-IMD-QTY-FTX-SG30-SG31-SG51 |
| | 1000 | IMD | C | 99 | 2 | Item description |

| Standard | | | Implementation | |
|------------|-----------------------------------|-----------|----------------|--------------------|
| Tag | Name | St Format | St Format | Usage / Remark |
| IMD | | | | |
| 7077 | Description format code | C an..3 | C an..3 | F Free-form |
| C272 | Item characteristic | C | N | |
| 7081 | Item characteristic code | C an..3 | N | Not used |
| 1131 | Code list identification code | C an..17 | N | Not used |
| 3055 | Code list responsible agency code | C an..3 | N | Not used |
| C273 | Item description | C | C | |
| 7009 | Item description code | C an..17 | N | Not used |
| 1131 | Code list identification code | C an..17 | N | Not used |
| 3055 | Code list responsible agency code | C an..3 | N | Not used |
| 7008 | Item description | C an..256 | C an..256 | Item description |
| 7008 | Item description | C an..256 | C an..256 | Item description |
| 3453 | Language name code | C an..3 | N | Not used |
| 7383 | Surface or layer code | C an..3 | N | Not used |

Remark:

This segment is used to describe the current line item in free text form.

Example:

IMD+F++:::EINSATZ F. NL4FC / 129-1A'

No = Consecutive segment number
 MaxOcc = Maximum occurrence of the segment/group
 Counter = Counter of segment/group within the standard

St = Status
 EDIFACT: M=Mandatory, C=Conditional
 User specific: R=Required, O=Optional, D=Dependent,
 A=Advised, N=Not used

| Counter | No | Tag | St | MaxOcc | Level | Name |
|---------|------|---------------|----|--------|-------|-------------------------------------------|
| | 0970 | SG26 | M | 200000 | 1 | LIN-PIA-IMD-QTY-FTX-SG30-SG31-SG51 |
| | 1000 | 24 IMD | C | 99 | 2 | Item description |

| Standard | | | Implementation | |
|------------|-----------------------------------|-----------|----------------|------------------------------|
| Tag | Name | St Format | St Format | Usage / Remark |
| IMD | | | | |
| 7077 | Description format code | C an..3 | C an..3 | B Code and text |
| C272 | Item characteristic | C | N | |
| 7081 | Item characteristic code | C an..3 | N | Not used |
| 1131 | Code list identification code | C an..17 | N | Not used |
| 3055 | Code list responsible agency code | C an..3 | N | Not used |
| C273 | Item description | C | C | |
| 7009 | Item description code | C an..17 | N | Not used |
| 1131 | Code list identification code | C an..17 | N | Not used |
| 3055 | Code list responsible agency code | C an..3 | N | Not used |
| 7008 | Item description | C an..256 | C an..256 | The drawing revision number. |
| 7008 | Item description | C an..256 | C an..256 | The drawing revision number. |
| 3453 | Language name code | C an..3 | N | Not used |
| 7383 | Surface or layer code | C an..3 | N | Not used |

Remark:

This segment is used to provide the drawing revision number for this specific line item.

Example:

IMD+B+:::Revisionsstand?: V'

No = Consecutive segment number
MaxOcc = Maximum occurrence of the segment/group
Counter = Counter of segment/group within the standard

St = Status
EDIFACT: M=Mandatory, C=Conditional
User specific: R=Required, O=Optional, D=Dependent,
A=Advised, N=Not used

| Counter | No | Tag | St | MaxOcc | Level | Name |
|---------|------|-------------|----|--------|-------|-------------------------------------------|
| | 0970 | SG26 | M | 200000 | 1 | LIN-PIA-IMD-QTY-FTX-SG30-SG31-SG51 |
| | 1020 | QTY | R | 99 | 2 | Quantity |

| Standard | | | Implementation | |
|----------|------------------------------|-----------|----------------|-----------------------------------------------------------------------------------------------------------------------------------------------------------------------------------------------------------------------------------|
| Tag | Name | St Format | St Format | Usage / Remark |
| QTY | | | | |
| C186 | Quantity details | M | M | |
| 6063 | Quantity type code qualifier | M an..3 | M an..3 | 21 Ordered quantity |
| 6060 | Quantity | M an..35 | M an..35 | The ordered quantity. |
| 6411 | Measurement unit code | C an..3 | C an..3 | C62 one KGM kilogram KTM kilometre LTR litre MTK square metre MTQ cubic metre MTR metre PCE piece SET set TNE tonne (metric ton) |

Remark:

The overall ordered quantity of the given purchase order line item.

Example:

QTY+21:30000:PCE'

No = Consecutive segment number
 MaxOcc = Maximum occurrence of the segment/group
 Counter = Counter of segment/group within the standard

St = Status
 EDIFACT: M=Mandatory, C=Conditional
 User specific: R=Required, O=Optional, D=Dependent,
 A=Advised, N=Not used

| Counter | No | Tag | St | MaxOcc | Level | Name |
|---------|----|-------------|----|--------|-------|-------------------------------------------|
| 0970 | | SG26 | M | 200000 | 1 | LIN-PIA-IMD-QTY-FTX-SG30-SG31-SG51 |
| 1140 | 26 | FTX | C | 99 | 2 | Free text |

| Standard | | | Implementation | |
|----------|-----------------------------------|-----------|----------------|---------------------------------|
| Tag | Name | St Format | St Format | Usage / Remark |
| FTX | | | | |
| 4451 | Text subject code qualifier | M an..3 | M an..3 | AAI General information |
| 4453 | Free text function code | C an..3 | C an..3 | 3 Text for immediate use |
| C107 | Text reference | C | N | |
| 4441 | Free text value code | M an..17 | N | Not used |
| 1131 | Code list identification code | C an..17 | N | Not used |
| 3055 | Code list responsible agency code | C an..3 | N | Not used |
| C108 | Text literal | C | C | |
| 4440 | Free text value | M an..512 | M an..512 | |
| 4440 | Free text value | C an..512 | C an..512 | |
| 4440 | Free text value | C an..512 | C an..512 | |
| 4440 | Free text value | C an..512 | C an..512 | |
| 4440 | Free text value | C an..512 | C an..512 | |
| 3453 | Language name code | C an..3 | N | Not used |
| 4447 | Free text format code | C an..3 | N | Not used |

Remark:

Used to provide additional free text information for the ordered item.

Example:

FTX+AAI+3++Free text 1 with maximum length 512:Free text 2 with maximum length 512:Free text 3 with maximum length 512:Free text 4 with maximum length 512:Free text 5 with maximum length 512'

No = Consecutive segment number
MaxOcc = Maximum occurrence of the segment/group
Counter = Counter of segment/group within the standard

St = Status
EDIFACT: M=Mandatory, C=Conditional
User specific: R=Required, O=Optional, D=Dependent,
A=Advised, N=Not used

| Counter | No | Tag | St | MaxOcc | Level | Name |
|---------|------|-------------|----|--------|-------|----------------------|
| | 1270 | SG30 | C | 25 | 2 | PRI |
| | 1280 | PRI | M | 1 | 2 | Price details |

| Standard | | | Implementation | |
|------------|-------------------------------------------|-----------|----------------|-----------------------------------------------------------------------------------------------------------------------------------------------------------------------------------------------------------------------------------|
| Tag | Name | St Format | St Format | Usage / Remark |
| PRI | | | | |
| C509 | Price information | C | C | |
| 5125 | Price code qualifier | M an..3 | M an..3 | AAA Calculation net |
| 5118 | Price amount | C n..15 | R n..15 | The amount of the price. |
| 5375 | Price type code | C an..3 | N | Not used |
| 5387 | Price specification code | C an..3 | N | Not used |
| 5284 | Unit price basis value | C n..9 | R n..9 | The basis unit for the price. |
| 6411 | Measurement unit code | C an..3 | M an..3 | C62 one KGM kilogram KTM kilometre LTR litre MTK square metre MTQ cubic metre MTR metre PCE piece SET set TNE tonne (metric ton) |
| 5213 | Sub-line item price change operation code | C an..3 | N | Not used |

Remark:

This segment is used to detail the price for the current product identified in the LIN segment. The provided price is the calculation net price, which is the price with allowances/surcharges.

Example:

PRI+AAA:115.50:::1000:PCE'

No = Consecutive segment number
 MaxOcc = Maximum occurrence of the segment/group
 Counter = Counter of segment/group within the standard

St = Status
 EDIFACT: M=Mandatory, C=Conditional
 User specific: R=Required, O=Optional, D=Dependent,
 A=Advised, N=Not used

| Counter | No | Tag | St | MaxOcc | Level | Name |
|---------|------|---------------|----|--------|-------|------------------|
| | 1330 | SG31 | C | 9999 | 2 | RFF-DTM |
| | 1340 | 28 RFF | M | 1 | 2 | Reference |

| Standard | | | Implementation | |
|----------|------------------------------|-----------|----------------|-----------------------------------|
| Tag | Name | St Format | St Format | Usage / Remark |
| RFF | | | | |
| C506 | Reference | M | M | |
| 1153 | Reference code qualifier | M an..3 | M an..3 | BC Buyer's contract number |
| 1154 | Reference identifier | C an..70 | R an..70 | The contract number. |
| 1156 | Document line identifier | C an..6 | R an..6 | The referenced line item number. |
| 4000 | Reference version identifier | C an..35 | N | Not used |
| 1060 | Revision identifier | C an..6 | N | Not used |

Remark:

This segment is used to provide a reference to the underlying contract document and the line item number in the contract.

Example:

RFF+BC:0046001951:00010'

No = Consecutive segment number
 MaxOcc = Maximum occurrence of the segment/group
 Counter = Counter of segment/group within the standard

St = Status
 EDIFACT: M=Mandatory, C=Conditional
 User specific: R=Required, O=Optional, D=Dependent,
 A=Advised, N=Not used

| Counter | No | Tag | St | MaxOcc | Level | Name |
|---------|----|-------------|----|--------|-------|------------------|
| 1330 | | SG31 | C | 9999 | 2 | RFF-DTM |
| 1350 | 29 | DTM | C | 5 | 3 | Date/time/period |

| Standard | | | Implementation | |
|----------|------------------------------------------------|-----------|----------------|-----------------------------------|
| Tag | Name | St Format | St Format | Usage / Remark |
| DTM | | | | |
| C507 | Date/time/period | M | M | |
| 2005 | Date or time or period function code qualifier | M an..3 | M an..3 | 92 Contract effective date |
| 2380 | Date or time or period value | C an..35 | C an..35 | |
| 2379 | Date or time or period format code | C an..3 | M an..3 | 102 CCYYMMDD |

Remark:

This segment is used to provide the date, when the contract became effective.

Example:

DTM+92:20181012:102'

No = Consecutive segment number
 MaxOcc = Maximum occurrence of the segment/group
 Counter = Counter of segment/group within the standard

St = Status
 EDIFACT: M=Mandatory, C=Conditional
 User specific: R=Required, O=Optional, D=Dependent,
 A=Advised, N=Not used

| Counter | No | Tag | St | MaxOcc | Level | Name |
|---------|------|---------------|----|--------|-------|------------------------------|
| | 2030 | SG51 | R | 100 | 2 | SCC-SG52 |
| | 2040 | 30 SCC | M | 1 | 2 | Scheduling conditions |

| Standard | | | Implementation | |
|----------|-------------------------------------|-----------|----------------|----------------|
| Tag | Name | St Format | St Format | Usage / Remark |
| SCC | | | | |
| 4017 | Delivery plan commitment level code | M an..3 | M an..3 | 1 Firm |
| 4493 | Delivery instruction code | C an..3 | N | Not used |
| C329 | Pattern description | C | N | |
| 2013 | Frequency code | C an..3 | N | Not used |
| 2015 | Despatch pattern code | C an..3 | N | Not used |
| 2017 | Despatch pattern timing code | C an..3 | N | Not used |

Remark:

Provides a list of QTY/DTM combinations, indicating the requested delivery amounts and delivery dates of the given order line item.

Example:

```
SCC+1'
QTY+21:20000:PCE'
DTM+17:20190205:102'
SCC+1'
QTY+21:10000:PCE'
DTM+17:20190210:102'
```

No = Consecutive segment number
 MaxOcc = Maximum occurrence of the segment/group
 Counter = Counter of segment/group within the standard

St = Status
 EDIFACT: M=Mandatory, C=Conditional
 User specific: R=Required, O=Optional, D=Dependent,
 A=Advised, N=Not used

| Counter | No | Tag | St | MaxOcc | Level | Name |
|---------|------|---------------|----|--------|-------|-----------------|
| | 2070 | SG52 | R | 10 | 3 | QTY-DTM |
| | 2080 | 31 QTY | R | 1 | 3 | Quantity |

| Standard | | | Implementation | |
|----------|------------------------------|-----------|----------------|-----------------------------------------------------------------------------------------------------------------------------------------------------------------------------------------------------------------------------------|
| Tag | Name | St Format | St Format | Usage / Remark |
| QTY | | | | |
| C186 | Quantity details | M | M | |
| 6063 | Quantity type code qualifier | M an..3 | M an..3 | 21 Ordered quantity |
| 6060 | Quantity | M an..35 | M an..35 | The ordered quantity. |
| 6411 | Measurement unit code | C an..3 | C an..3 | C62 one KGM kilogram KTM kilometre LTR litre MTK square metre MTQ cubic metre MTR metre PCE piece SET set TNE tonne (metric ton) |

Remark:

Used to provide the quantity, which has to be delivered at a certain date. If the delivery of the current line item will not be split, this field should have the same value as QTY+21 of SG28.

Example:

QTY+21:20000:PCE'

No = Consecutive segment number
 MaxOcc = Maximum occurrence of the segment/group
 Counter = Counter of segment/group within the standard

St = Status
 EDIFACT: M=Mandatory, C=Conditional
 User specific: R=Required, O=Optional, D=Dependent,
 A=Advised, N=Not used

| Counter | No | Tag | St | MaxOcc | Level | Name |
|---------|------|-------------|----|--------|-------|-------------------------|
| | 2070 | SG52 | R | 10 | 3 | QTY-DTM |
| | 2090 | DTM | R | 5 | 4 | Date/time/period |

| Standard | | | Implementation | |
|----------|------------------------------------------------|-----------|----------------|-------------------------------------------------------------------------|
| Tag | Name | St Format | St Format | Usage / Remark |
| DTM | | | | |
| C507 | Date/time/period | M | M | |
| 2005 | Date or time or period function code qualifier | M an..3 | M an..3 | The estimated delivery date. 17 Delivery date/time, estimated |
| 2380 | Date or time or period value | C an..35 | R an..35 | Date value. |
| 2379 | Date or time or period format code | C an..3 | R an..3 | 102 CCYYMMDD |

Remark:

Used to provide the date for the requested quantity.

Example:

DTM+17:20190205:102'

No = Consecutive segment number
MaxOcc = Maximum occurrence of the segment/group
Counter = Counter of segment/group within the standard

St = Status
EDIFACT: M=Mandatory, C=Conditional
User specific: R=Required, O=Optional, D=Dependent,
A=Advised, N=Not used

| Counter | No | Tag | St | MaxOcc | Level | Name |
|---------|----|------------|----|--------|-------|-----------------|
| 2200 | 33 | UNS | M | 1 | 0 | Section control |

| Standard | | | Implementation | |
|----------|------------------------|-----------|----------------|--------------------------------------------|
| Tag | Name | St Format | St Format | Usage / Remark |
| UNS | | | | |
| 0081 | Section identification | M a1 | M a1 | S Detail/summary section separation |

Remark:
This segment is used to separate the detail and summary sections of the message.

Example:
UNS+S'

No = Consecutive segment number
MaxOcc = Maximum occurrence of the segment/group
Counter = Counter of segment/group within the standard

St = Status
EDIFACT: M=Mandatory, C=Conditional
User specific: R=Required, O=Optional, D=Dependent,
A=Advised, N=Not used

| Counter | No | Tag | St | MaxOcc | Level | Name |
|---------|----|------------|----|--------|-------|-----------------|
| 2270 | 34 | UNT | M | 1 | 0 | Message trailer |

| Standard | | | Implementation | |
|----------|-----------------------------------|-----------|----------------|-----------------------------------------------------------------------------------------------|
| Tag | Name | St Format | St Format | Usage / Remark |
| UNT | | | | |
| 0074 | Number of segments in the message | M n..6 | M n..6 | The total number of segments in the message is detailed here. |
| 0062 | Message reference number | M an..14 | M an..14 | The message reference number detailed here should equal the one specified in the UNH segment. |

Remark:

This segment is a mandatory UN/EDIFACT segment. It must always be the last segment in the message.

Example:

UNT+25+112233'

No = Consecutive segment number
 MaxOcc = Maximum occurrence of the segment/group
 Counter = Counter of segment/group within the standard

St = Status
 EDIFACT: M=Mandatory, C=Conditional
 User specific: R=Required, O=Optional, D=Dependent,
 A=Advised, N=Not used

| Counter | No | Tag | St | MaxOcc | Level | Name |
|---------|----|------------|----|--------|-------|---------------------|
| 0000 | 35 | UNZ | M | 1 | 0 | Interchange trailer |

| Standard | | | Implementation | |
|----------|-------------------------------|-----------|----------------|----------------------------------------------------------------|
| Tag | Name | St Format | St Format | Usage / Remark |
| UNZ | | | | |
| 0036 | Interchange control count | M n..6 | M n..6 | Number of messages or functional groups within an interchange. |
| 0020 | Interchange control reference | M an..14 | M an..14 | Identical to DE 0020 in UNB segment. |

Remark:

This segment is used to provide the trailer of an interchange. It is the last segment of an EDIFACT interchange file.

Example:

UNZ+1+1234'

No = Consecutive segment number
 MaxOcc = Maximum occurrence of the segment/group
 Counter = Counter of segment/group within the standard

St = Status
 EDIFACT: M=Mandatory, C=Conditional
 User specific: R=Required, O=Optional, D=Dependent,
 A=Advised, N=Not used