



Message Implementation Guideline

EUROTRADE ORDRSP (EAN009) S4

based on

ORDRSP

Purchase order response message

EANCOM® 2002 S4

Version: 2002 - Edition 2014

Issue date: 21.03.2019

Author: ecosio

Change History	3
Message Structure.....	4
Branching Diagram	5
Segments	7
Sample Message.....	37



Change History

Date	Counter
2019-05-10	Deleted Message function code 45
2019-05-10	Added CUX Segment
2019-05-10	Added availability date for partial shipments
2019-05-10	Added Quantity variances for partial shipments



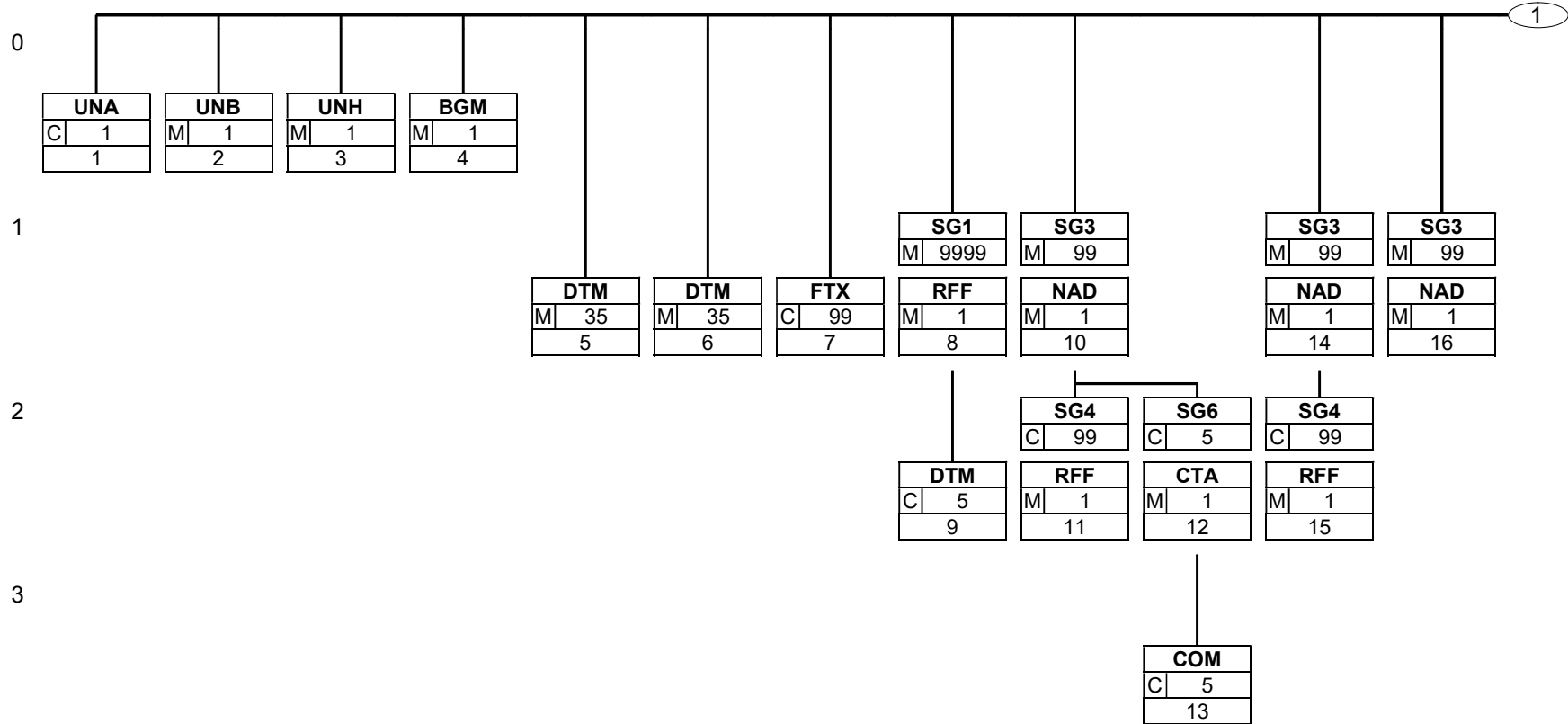
Structure / Table of Contents

Counter	No	Tag	St	MaxOcc	Level	Content
0000	1	UNA	C	1	0	Service string advice
0000	2	UNB	M	1	0	Interchange header
0010	3	UNH	M	1	0	Message header
0020	4	BGM	M	1	0	Beginning of message
0030	5	DTM	M	35	1	Date/time/period
0030	6	DTM	M	35	1	Date/time/period
0070	7	FTX	C	99	1	Free text
0090		SG1	M	9999	1	RFF-DTM
0100	8	RFF	M	1	1	Reference
0110	9	DTM	C	5	2	Date/time/period
0150		SG3	M	99	1	NAD-SG4-SG6
0160	10	NAD	M	1	1	Name and address
0190		SG4	C	99	2	RFF
0200	11	RFF	M	1	2	Reference
0250		SG6	C	5	2	CTA-COM
0260	12	CTA	M	1	2	Contact information
0270	13	COM	C	5	3	Communication contact
0150		SG3	M	99	1	NAD-SG4
0160	14	NAD	M	1	1	Name and address
0190		SG4	C	99	2	RFF
0200	15	RFF	M	1	2	Reference
0150		SG3	M	99	1	NAD
0160	16	NAD	M	1	1	Name and address
0320		SG8	M	5	1	CUX
0330	17	CUX	M	1	1	Currencies
0970		SG26	M	200000	1	LIN-PIA-IMD-QTY-DTM-DTM-QVR
0980	18	LIN	M	1	1	Line item
0990	19	PIA	M	25	2	Additional product id
1000	20	IMD	R	99	2	Item description
1020	21	QTY	M	99	2	Quantity
1050	22	DTM	D	35	2	Date/time/period
1050	23	DTM	D	35	2	Date/time/period
1100	24	QVR	C	1	2	Quantity variances
2200	25	UNS	M	1	0	Section control
2270	26	UNT	M	1	0	Message trailer
0000	27	UNZ	M	1	0	Interchange trailer

Counter = Counter of segment/group within the standard
 No = Consecutive segment number
 MaxOcc = Maximum occurrence of the segment/group

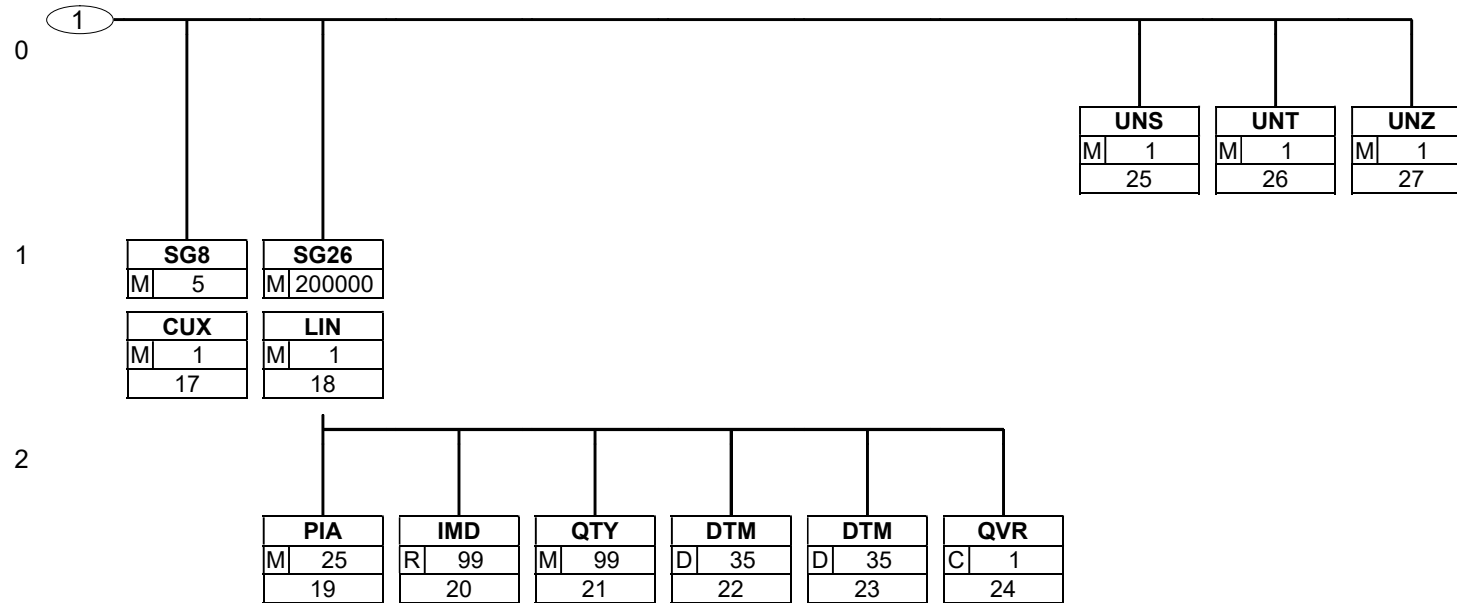
St = Status
 EDIFACT: M=Mandatory, C=Conditional
 User specific: R=Required, O=Optional, D=Dependent,
 A=Advised, N=Not used

ORDRSP Purchase order response message
Branching Diagram



Status: M=Mandatory, C=Conditional, R=Required, O=Optional, D=Dependent, A=Advised, N=Not used, X=Not used

ORDRSP Purchase order response message
Branching Diagram



Status: M=Mandatory, C=Conditional, R=Required, O=Optional, D=Dependent, A=Advised, N=Not used, X=Not used



Segment number: 1

UNA - C 1 - Service string advice					
Function:					
The service string advice shall begin with the upper case characters UNA immediately followed by six characters in the order shown below. The space character shall not be used in positions 010, 020, 040, 050 or 060. The same character shall not be used in more than one position of the UNA.					
			Standard	Implementation	
Tag	Name	St/Format	St	*	Usage
UNA1	Component data element separator	M an1	M		Used as a separator between component data elements contained within a composite data element (default value: ".")
UNA2	Data element separator	M an1	M		Used to separate two simple or composite data elements (default value: "+")
UNA3	Decimal mark	M an1	M		Used to indicate the character used for decimal notation (default value:".")
UNA4	Release character	M an1	M		Used to restore any service character to its original specification (value: "?").
UNA5	Repetition separator	M an1	M		Used to indicate the character used for repetition separation (value: " * ").
UNA6	Segment terminator	M an1	M		Used to indicate the end of segment data (default value: " ' ")

Segment Notes:

This segment is used to inform the receiver of the interchange that a set of service string characters which are different to the default characters are being used.

When using the default set of service characters, the UNA segment need not be sent. If it is sent, it must immediately precede the UNB segment and contain the four service string characters (positions UNA1, UNA2, UNA4 and UNA6) selected by the interchange sender.

Regardless of whether or not all of the service string characters are being changed every data element within this segment must be filled, (i.e., if some default values are being used with user defined ones, both the default and user defined values must be specified).

When expressing the service string characters in the UNA segment, it is not necessary to include any element separators.

The use of the UNA segment is required when using a character set other than level A.

Example:

UNA:+.?*

St = Status
EDIFACT: M=Mandatory, C=Conditional
User specific: R=Required, O=Optional, D=Dependent,
A=Advised, N=Not used, X=Not used



Segment number: 2

UNB - M 1 - Interchange header					
Function: To identify an interchange.					
Notes: 1. S001/0002, shall be '4' to indicate this version of the syntax. 2. The combination of the values carried in data elements S002, S003 and 0020 shall be used to identify uniquely the interchange, for the purpose of acknowledgement.					
		Standard	Implementation		
Tag	Name	St/Format	St	*	Usage
S001	SYNTAX IDENTIFIER	M	M		See Part I chapter 5.2.7 and segment notes.
0001	Syntax identifier	M a4	M		UNOC = UN/ECE level C
0002	Syntax version number	M an1	M		4 = Version 4
S002	INTERCHANGE SENDER	M	M		
0004	Interchange sender identification	M an..35	M		GLN (n13) Sender of the EDIFACT message. Identified using a Global Location Number (GLN).
0007	Identification code qualifier	C an..4	R		14 = GS1
S003	INTERCHANGE RECIPIENT	M	M		
0010	Interchange recipient identification	M an..35	M		GLN (n13) Receiver of the EDIFACT message. Identified using a Global Location Number (GLN). Only the GLN "4260197450002" is allowed for Eurotrade.
0007	Identification code qualifier	C an..4	R		14 = GS1
S004	DATE AND TIME OF PREPARATION	M	M		
0017	Date	M n8	M		CCYYMMDD
0019	Time	M n4	M		HHMM
0020	Interchange control reference	M an..14	M		Unique reference identifying the interchange. Created by the interchange sender. Created by the sender's system. In order to allow for an easy lookup of interchange numbers in case of message disputes, it is encouraged that interchange reference numbers are unique per sender/receiver combination. Usually this means, that auto increment numbers shall be used.

St = Status
EDIFACT: M=Mandatory, C=Conditional
User specific: R=Required, O=Optional, D=Dependent,
A=Advised, N=Not used, X=Not used



Segment number: 2

Tag	Name	Standard		Implementation		Usage
		St/Format	St	*		
0026	Application reference	C an..14	O			Message identification if the interchange contains only one type of message.
0035	Test indicator	C n1	O			1 = Interchange is a test

Segment Notes:

This segment is used to envelope the interchange, as well as to identify both, the party to whom the interchange is sent and the party who has sent the interchange. The principle of the UNB segment is the same as a physical envelope which covers one or more letters or documents, and which details, both the address where delivery is to take place and the address from where the envelope has come.

Example:

UNB+UNOC:4+4032158361579:14+4260197450002:14+20190301:1043+12345555+++++1'

St = Status
 EDIFACT: M=Mandatory, C=Conditional
 User specific: R=Required, O=Optional, D=Dependent,
 A=Advised, N=Not used, X=Not used



Segment number: 3

UNH - M 1 - Message header					
Function:					
To head, identify and specify a message.					
Notes:					
1. Data element S009/0057 is retained for upward compatibility. The use of S016 and/or S017 is encouraged in preference.					
2. The combination of the values carried in data elements 0062 and S009 shall be used to identify uniquely the message within its group (if used) or if not used, within its interchange, for the purpose of acknowledgement.					
		Standard	Implementation		
Tag	Name	St/Format	St	*	Usage
0062	Message reference number	M an..14	M		Senders unique message reference. Sequence number of the messages in the interchange. DE 0062 in the UNT will be exactly the same. Sender generated.
S009	MESSAGE IDENTIFIER	M	M		
0065	Message type	M an..6	M	*	ORDRSP = Purchase order response message
0052	Message version number	M an..3	M	*	D = Draft version/UN/EDIFACT Directory
0054	Message release number	M an..3	M	*	01B = Release 2001 - B
0051	Controlling agency, coded	M an..3	M	*	UN = UN/CEFACT
0057	Association assigned code	C an..6	R	*	EAN009 = GS1 version control number (GS1 Permanent Code) Indicates that the message is the EANCOM version 009 of the UNSM Purchase Order Response.

Segment Notes:

This segment is used to head, identify and specify a message.

Example:

UNH+1+ORDRSP:D:01B:UN:EAN009'

St = Status
EDIFACT: M=Mandatory, C=Conditional
User specific: R=Required, O=Optional, D=Dependent,
A=Advised, N=Not used, X=Not used



Segment number: 4

BGM - M 1 - Beginning of message					
Function:					
To indicate the type and function of a message and to transmit the identifying number.					
Standard			Implementation		
Tag	Name	St/Format	St	*	Usage
C002	DOCUMENT/MESSAGE NAME	C	R		
1001	Document name code	C an..3	R	*	<p>231 = Purchase order response The Purchase Order Response is transmitted by a supplier in response to a previous Purchase Order. All references other than the document number DE 1004 are in the RFF segment.</p>
C106	DOCUMENT/MESSAGE IDENTIFICATION	C	R		
1004	Document identifier	C an..35	R		<p>Order Response Number assigned by document sender. Für die global eindeutige Identifikation von Dokumenten steht die Globale Dokumententyp-Identnummer (GDTI) zur Verfügung.</p>
1225	Message function code	C an..3	R	*	<p>4 = Change The supplier accepts to supply the goods or services requested in the Purchase Order, but requires changes to one or more of the items. 27 = Not accepted The supplier declines to supply the goods detailed in a Purchase Order. 29 = Accepted without amendment The supplier accepts to supply the goods or services requested according to the terms set out in the Purchase Order or Purchase Order Change Request.</p>

Segment Notes:

This segment is used to indicate the type and function of a message and to transmit the identifying number.

Example:

BGM+231+201903456+4'

St = Status
 EDIFACT: M=Mandatory, C=Conditional
 User specific: R=Required, O=Optional, D=Dependent,
 A=Advised, N=Not used, X=Not used



Segment number: 5

DTM - M 35 - Date/time/period					
Function: To specify date, and/or time, or period.					
		Standard	Implementation		
Tag	Name	St/Format	St	*	Usage
C507	DATE/TIME/PERIOD	M	M		
2005	Date or time or period function code qualifier	M an..3	M	*	137 = Document/message date/time
2380	Date or time or period value	C an..35	R		
2379	Date or time or period format code	C an..3	R		102 = CCYYMMDD

Segment Notes:

This segment is used to specify dates/times relating to the Purchase Order Response, or if required, dates relating to the delivery or collection of the goods.

Example:

DTM+137:20190430:102'

St = Status
 EDIFACT: M=Mandatory, C=Conditional
 User specific: R=Required, O=Optional, D=Dependent,
 A=Advised, N=Not used, X=Not used



Segment number: 6

DTM - M 35 - Date/time/period					
Function: To specify date, and/or time, or period.					
		Standard	Implementation		
Tag	Name	St/Format	St	*	Usage
C507	DATE/TIME/PERIOD	M	M		
2005	Date or time or period function code qualifier	M an..3	M	*	17 = Delivery date/time, estimated
2380	Date or time or period value	C an..35	R		
2379	Date or time or period format code	C an..3	R		102 = CCYYMMDD

Segment Notes:

This segment is used to specify dates/times relating to the Purchase Order Response, or if required, dates relating to the delivery or collection of the goods.

Example:

DTM+17:20190501:102'

St = Status
 EDIFACT: M=Mandatory, C=Conditional
 User specific: R=Required, O=Optional, D=Dependent,
 A=Advised, N=Not used, X=Not used



Segment number: 7

FTX - C 99 - Free text					
Function: To provide free form or coded text information.					
		Standard	Implementation		
Tag	Name	St/Format	St	*	Usage
4451	Text subject code qualifier	M an..3	M		AAI = General information PUR = Purchasing information ZZZ = Mutually defined
C108	TEXT LITERAL	C	D		This composite is only used if coded text can not be used.
4440	Free text value	M an..512	M		

Segment Notes:

This segment is used to provide any free text information related to the complete purchase order response message.

Use of this segment in free form is not recommended since it may inhibit automatic processing of the Order Response. Coded references to standard texts is an available functionality which enables automatic processing and reduces transmission and processing overheads. Standard texts should be mutually defined among trading partners and can be used to cover legal and other requirements.

Example:

FTX+AAI+++This is a general information'

St = Status
 EDIFACT: M=Mandatory, C=Conditional
 User specific: R=Required, O=Optional, D=Dependent,
 A=Advised, N=Not used, X=Not used



Segment number: 8

SG1	- M	9999	- RFF-DTM
RFF	- M	1	- Reference
Function:			
To specify a reference.			
		Standard	Implementation
Tag	Name	St/Format	St * Usage
C506	REFERENCE	M	M
1153	Reference code qualifier	M an..3	M
1154	Reference identifier	C an..70	M

ON = Order number (buyer)

Segment Notes:

This segment is used to refer to the Purchase Order or Purchase Order Change Request to which the Purchase Order Response is responding. Additionally, further reference can be provided as corrections or clarifications to a previously sent Purchase Order or Purchase Order Change Request. References should normally be given at this point if they apply to all or a majority of the line items.

Example:

RFF+ON:50155290'

St = Status
 EDIFACT: M=Mandatory, C=Conditional
 User specific: R=Required, O=Optional, D=Dependent,
 A=Advised, N=Not used, X=Not used



Segment number: 9

SG1	- M	9999	- RFF-DTM
DTM	- C	5	- Date/time/period
Function:			
To specify date, and/or time, or period.			
		Standard	Implementation
Tag	Name	St/Format	St * Usage
C507	DATE/TIME/PERIOD	M	M
2005	Date or time or period function code qualifier	M an..3	M * 171 = Reference date/time
2380	Date or time or period value	C an..35	R
2379	Date or time or period format code	C an..3	R 102 = CCYYMMDD

Segment Notes:

This segment is used to specify dates relating to the references given in the preceding RFF segment.

Example:

DTM+171:20190101:102'

St = Status
 EDIFACT: M=Mandatory, C=Conditional
 User specific: R=Required, O=Optional, D=Dependent,
 A=Advised, N=Not used, X=Not used



Segment number: 10

SG3	- M	99 - NAD-SG4-SG6
NAD	- M	1 - Name and address
Function:		
To specify the name/address and their related function, either by C082 only and/or unstructured by C058 or structured by C080 thru 3207.		
		Standard Implementation
Tag	Name	St/Format St * Usage
3035	Party function code qualifier	M an..3 M SU = Supplier
C082	PARTY IDENTIFICATION DETAILS	C A
3039	Party identifier	M an..35 M GLN - Format n13
3055	Code list responsible agency code	C an..3 R * 9 = GS1

Segment Notes:

This segment is used to identify the trading partners involved in the Purchase Order Response. Only GLN is needed to identify the parties.

This segment identifies the supplier of the goods or services.

Example:

NAD+SU+4032158361579::9'

St = Status
 EDIFACT: M=Mandatory, C=Conditional
 User specific: R=Required, O=Optional, D=Dependent,
 A=Advised, N=Not used, X=Not used



Segment number: 11

SG3	- M	99 - NAD-SG4-SG6	
SG4	- C	99 - RFF	
RFF	- M	1 - Reference	
Function:			
To specify a reference.			
		Standard	Implementation
Tag	Name	St/Format	St * Usage
C506	REFERENCE	M	M
1153	Reference code qualifier	M an..3	M
1154	Reference identifier	C an..70	R

YC1 = Additional party identification (GS1 Temporary Code)

Segment Notes:

This segment is used to specify references related to the supplier. Here the supplier ID at eurotrade should be provided

Example:

RFF+YC1:718'

St = Status
 EDIFACT: M=Mandatory, C=Conditional
 User specific: R=Required, O=Optional, D=Dependent,
 A=Advised, N=Not used, X=Not used



Segment number: 12

SG3	- M	99 - NAD-SG4-SG6
SG6	- C	5 - CTA-COM
CTA	- M	1 - Contact information
Function:		
To identify a person or a department to whom communication should be directed.		
Standard Implementation		
Tag	Name	St/Format St * Usage
3139	Contact function code	C an..3 R IC = Information contact
C056	DEPARTMENT OR EMPLOYEE DETAILS	C C
3413	Department or employee name code	C an..17 C

Segment Notes:

This segment is used to identify contact details on the supplier's side.

Example:

CTA+IC+Max Muster'

St = Status
 EDIFACT: M=Mandatory, C=Conditional
 User specific: R=Required, O=Optional, D=Dependent,
 A=Advised, N=Not used, X=Not used



Segment number: 13

SG3	- M	99 - NAD-SG4-SG6	
SG6	- C	5 - CTA-COM	
COM	- C	5 - Communication contact	
Function:			
To identify a communication number of a department or a person to whom communication should be directed.			
		Standard	Implementation
Tag	Name	St/Format	St * Usage
C076	COMMUNICATION CONTACT	M	M
3148	Communication address identifier	M an..512	M
3155	Communication address code qualifier	M an..3	M
			EM = Electronic mail TE = Telephone

Segment Notes:

This segment identifies the communications number, and type of communications, for the person or department identified in the preceding CTA segment.

Example:

COM+0044715326652:TE'

St = Status
 EDIFACT: M=Mandatory, C=Conditional
 User specific: R=Required, O=Optional, D=Dependent,
 A=Advised, N=Not used, X=Not used



Segment number: 14

SG3	- M	99 - NAD-SG4
NAD	- M	1 - Name and address
Function:		
To specify the name/address and their related function, either by C082 only and/or unstructured by C058 or structured by C080 thru 3207.		
		Standard Implementation
Tag	Name	St/Format St * Usage
3035	Party function code qualifier	M an..3 M BY = Buyer
C082	PARTY IDENTIFICATION DETAILS	C A
3039	Party identifier	M an..35 M GLN - Format n13
3055	Code list responsible agency code	C an..3 R * 9 = GS1

Segment Notes:

This segment is used to identify the trading partners involved in the Purchase Order Response. Only GLN is needed to identify the parties.

This segment identifies the buyer of the goods or services. In case of eurotrade buyer is GLN 4260197450002.

Example:

NAD+BY+4260197450002::9'

St = Status
 EDIFACT: M=Mandatory, C=Conditional
 User specific: R=Required, O=Optional, D=Dependent,
 A=Advised, N=Not used, X=Not used



Segment number: 15

SG3	- M	99 - NAD-SG4	
SG4	- C	99 - RFF	
RFF	- M	1 - Reference	
Function:			
To specify a reference.			
		Standard	Implementation
Tag	Name	St/Format	St * Usage
C506	REFERENCE	M	M
1153	Reference code qualifier	M an..3	M
1154	Reference identifier	C an..70	R

IT = Internal customer number

Segment Notes:

This segment is used to specify references related to the customer. Here the internal customer number for eurotrade at the supplier should be provided

Example:

RFF+IT:15678914'

St = Status
 EDIFACT: M=Mandatory, C=Conditional
 User specific: R=Required, O=Optional, D=Dependent,
 A=Advised, N=Not used, X=Not used



Segment number: 16

SG3	- M	99 - NAD	
NAD	- M	1 - Name and address	
Function:			
To specify the name/address and their related function, either by C082 only and/or unstructured by C058 or structured by C080 thru 3207.			
		Standard	Implementation
Tag	Name	St/Format	St * Usage
3035	Party function code qualifier	M an..3	M DP = Delivery party
C082	PARTY IDENTIFICATION DETAILS	C	A
3039	Party identifier	M an..35	M GLN - Format n13
3055	Code list responsible agency code	C an..3	R * 9 = GS1

Segment Notes:

This segment is used to identify the trading partners involved in the Purchase Order Response. Only GLN is needed to identify the parties.

This segment identifies the delivery party of the goods or services as provided in the referenced Purchase Order.

Example:

NAD+DP+4260197451023::9'

St = Status
 EDIFACT: M=Mandatory, C=Conditional
 User specific: R=Required, O=Optional, D=Dependent,
 A=Advised, N=Not used, X=Not used



Segment number: 17

SG8	- M	5 - CUX			
CUX	- M	1 - Currencies			
Function:					
To specify currencies used in the transaction and relevant details for the rate of exchange.					
Standard Implementation					
Tag	Name	St/Format	St	*	Usage
C504	CURRENCY DETAILS	C	C		
6347	Currency usage code qualifier	M an..3	M		2 = Reference currency
6345	Currency identification code	C an..3	C		
6343	Currency type code qualifier	C an..3	C		9 = Order currency

Segment Notes:

A group of segments specifying the currencies and related dates/periods valid for the whole order response.

Example:

CUX+2:EUR:9'

St = Status
 EDIFACT: M=Mandatory, C=Conditional
 User specific: R=Required, O=Optional, D=Dependent,
 A=Advised, N=Not used, X=Not used



Segment number: 18

SG26 - M 200000 - LIN-PIA-IMD-QTY-DTM-QVR					
LIN - M 1 - Line item					
Function: To identify a line item and configuration.					
		Standard	Implementation		
Tag	Name	St/Format	St	*	Usage
1082	Line item identifier	C an..6	R		Application generated number of the count of the order response lines.
1229	Action request/notification description code	C an..3	R		DE 1229: Action Request, coded, is the critical DE in this segment. The following code value definitions apply: 3 = Changed The supplier accepts to supply the line item in a purchase order or purchase order change request, but requires one or more changes to the terms set out in the referenced message, as indicated by the data in, and following, the LIN segment. 5 = Accepted without amendment The supplier accepts to supply the line item in a purchase order or purchase order change request. Though it is not necessary to re-transmit unamended line items or cancellations, this may be done for confirmation. 7 = Not accepted The supplier declines to supply the line item in a purchase order or purchase order change request.
C212	ITEM NUMBER IDENTIFICATION	C	D		This composite will only be used for the identification of GS1 codes. If another coding structure is being used, e.g. HIBC, this composite will not be used and the code will be detailed in the PIA segment.
7140	Item identifier	C an..35	M		Format n..14 GTIN - this is the number of the article being ordered.
7143	Item type identification code	C an..3	R	*	SRV = GS1 Global Trade Item Number

Segment Notes:

This segment is used to identify the product being responded to by means of an GTIN.
 If Global Trade Item Numbers are available it is mandatory to use GTIN within the LIN segment.
 The detail section of the Purchase Order Response is formed by a repeating group of segments, always

St = Status
 EDIFACT: M=Mandatory, C=Conditional
 User specific: R=Required, O=Optional, D=Dependent,
 A=Advised, N=Not used, X=Not used



Segment number: 19

SG26 - M 200000 - LIN-PIA-IMD-QTY-DTM-QVR					
PIA - M 25 - Additional product id					
Function: To specify additional or substitutional item identification codes.					
		Standard	Implementation		
Tag	Name	St/Format	St	*	Usage
4347	Product identifier code qualifier	M an..3	M	*	<p>3 = Substituted by To provide the GTIN of a product which has substituted the product identified by the GTIN provided in the LIN segment. In the Purchase Order Response this function code may be used to inform trading partners of the GTIN of the product which is replacing the product originally ordered, identified in the LIN segment. In this case, segment LIN will refer to the original ordered product and the PIA segment will provide the GTIN of the product replacing or substituting the original ordered product.</p> <p>4 = Substituted for To provide the GTIN of a product which has been substituted for the product identified by the GTIN provided in the LIN segment. In the Purchase Order Response this function code may be used to inform trading partners of an GTIN change relevant to a product. In this case, the LIN segment will contain the new GTIN and the 'Substituted for' PIA segment will identify the old GTIN which has been substituted.</p> <p>1 = Additional identification To provide an additional identification for the product previously identified in the LIN segment. For instance the sellers article number.</p>
C212	ITEM NUMBER IDENTIFICATION	M	M		
7140	Item identifier	C an..35	R		
7143	Item type identification code	C an..3	R		<p>SA = Supplier's article number SRV = GS1 Global Trade Item Number IN = Buyer's item number</p>

Segment Notes:

St = Status
EDIFACT: M=Mandatory, C=Conditional
User specific: R=Required, O=Optional, D=Dependent,
A=Advised, N=Not used, X=Not used

ORDRSP
Segment Details

Purchase order response message



Segment number: 19

This segment is used to specify additional or substitutional item identification codes such as a buyers, or sellers item number.

Example:

PIA+1+8764896:SA'

St = Status
EDIFACT: M=Mandatory, C=Conditional
User specific: R=Required, O=Optional, D=Dependent,
A=Advised, N=Not used, X=Not used



Segment number: 20

SG26 - M 200000 - LIN-PIA-IMD-QTY-DTM-QVR					
IMD - R 99 - Item description					
Function:					
To describe an item in either an industry or free format.					
		Standard	Implementation		
Tag	Name	St/Format	St	*	Usage
7077	Description format code	C an..3	R	*	F = Free-form
C272	ITEM CHARACTERISTIC	C	O		ANM = Article name (GS1 Temporary Code)
7081	Item characteristic code	C an..3	R		
C273	ITEM DESCRIPTION	C	C		9 = GS1
3055	Code list responsible agency code	C an..3	D		
7008	Item description	C an..256	O		
7008	Item description	C an..256	O		

Segment Notes:

This segment is used to describe the current line item.

Example:

IMD+F+ANM+::9:Energydrink:Summer-Edition'

St = Status
 EDIFACT: M=Mandatory, C=Conditional
 User specific: R=Required, O=Optional, D=Dependent,
 A=Advised, N=Not used, X=Not used



Segment number: 21

SG26 - M 200000 - LIN-PIA-IMD-QTY-DTM-QVR					
QTY - M 99 - Quantity					
Function: To specify a pertinent quantity.					
		Standard	Implementation		
Tag	Name	St/Format	St	*	Usage
C186	QUANTITY DETAILS	M	M		
6063	Quantity type code qualifier	M an..3	M	*	113 = Quantity to be delivered
6060	Quantity	M an..35	M		
6411	Measurement unit code	C an..3	D		This DE is only used if the product being responded to is a variable quantity product. PCE = Piece (GS1 Temporary Code)

Segment Notes:

This segment is used to specify quantity information related to the current line item.

Example:

QTY+113:50:PCE'

St = Status
 EDIFACT: M=Mandatory, C=Conditional
 User specific: R=Required, O=Optional, D=Dependent,
 A=Advised, N=Not used, X=Not used



Segment number: 22

SG26 - M 200000 - LIN-PIA-IMD-QTY-DTM-QVR					
DTM - D 35 - Date/time/period					
Function: To specify date, and/or time, or period.					
		Standard	Implementation		
Tag	Name	St/Format	St	*	Usage
C507	DATE/TIME/PERIOD	M	M		
2005	Date or time or period function code qualifier	M an..3	M	*	17 = Delivery date/time, estimated
2380	Date or time or period value	C an..35	R		
2379	Date or time or period format code	C an..3	R		102 = CCYYMMDD

Segment Notes:

This segment is used to specify any dates related to the current line item.

If the delivery date on the position level is different from the delivery date in the header, then the delivery date on the position level overrides the information at the header level and must be given.

Example:

DTM+17:20190501:102'

St = Status
 EDIFACT: M=Mandatory, C=Conditional
 User specific: R=Required, O=Optional, D=Dependent,
 A=Advised, N=Not used, X=Not used



Segment number: 23

SG26 - M 200000 - LIN-PIA-IMD-QTY-DTM-QVR					
DTM - D 35 - Date/time/period					
Function: To specify date, and/or time, or period.					
		Standard	Implementation		
Tag	Name	St/Format	St	*	Usage
C507	DATE/TIME/PERIOD	M	M		
2005	Date or time or period function code qualifier	M an..3	M	*	44 = Availability Code value '44' is used to indicate the date on which a product, which is currently not available, will again be available.
2380	Date or time or period value	C an..35	R		
2379	Date or time or period format code	C an..3	R		102 = CCYYMMDD

Segment Notes:

This segment is used to specify any dates related to the current line item.

Availability date (DE2005=44); Optional, D 8

DTM+44:20190601:102

Date information for non-deliverable quantities

The availability date of the unavailable quantity should be sent (improved readiness to provide information of the consignee).

The availability date is also to be sent if there is no subsequent delivery of the outstanding quantity (see QVR segment).

When products are non deliverable this specification is omitted.

Example:

DTM+44:20190601:102'

St = Status
 EDIFACT: M=Mandatory, C=Conditional
 User specific: R=Required, O=Optional, D=Dependent,
 A=Advised, N=Not used, X=Not used



Segment number: 24

SG26 - M 200000 - LIN-PIA-IMD-QTY-DTM-QVR					
QVR - C 1 - Quantity variances					
Function:					
To specify item details relating to quantity variances.					
		Standard	Implementation		
Tag	Name	St/Format	St	*	Usage
C279	QUANTITY DIFFERENCE INFORMATION	C	C		
6064	Quantity variance value	M n..15	M		Specify the actual variance amount here.
6063	Quantity type code qualifier	C an..3	R		21 = Ordered quantity
4221	Discrepancy nature identification code	C an..3	O		BP = Shipment partial - back order to follow CP = Shipment partial - considered complete, no backorder
C960	REASON FOR CHANGE	C	C		
4295	Change reason description code	C an..3	O		WR = Temporarily unavailable AV = Out of inventory AS = Article out of assortment

Segment Notes:

This segment is used to specify quantity variances and reasons for variances between what was ordered and what is available as specified in the QTY segment at line level.
For negative values (e.g. partial shipments) the variance must be expressed as negative.

Example:

QVR+-20:21++'

20 units of the original ordered quantity are not available because the item identification code is unknown. This segment provides a more detailed explanation if the order item is not available or only partially available.

-Variations in quantity information

Indication of non-deliverable quantity / amount of residue (DE6064); N 7+3; Optional

-Discrepancy nature identification; coded using only the specified qualifier (DE4221=BP); A/N 3; Optional.
QVR+50:21+BP'

-Reason for change; coded, use only the specified qualifier e.g. temporarily not available (DE4295=WR);
A/N 3; Optional

QVR+50:21+BP+WR

Example:

QVR+50:21+BP+WR'

St = Status
EDIFACT: M=Mandatory, C=Conditional
User specific: R=Required, O=Optional, D=Dependent,
A=Advised, N=Not used, X=Not used



Segment number: 25

UNS - M 1 - Section control					
Function: To separate header, detail and summary sections of a message.					
Notes: To be used by message designers only when required to avoid ambiguities.					
		Standard	Implementation		
Tag	Name	St/Format	St	*	Usage
0081	Section identification	M a1	M	*	S = Detail/summary section separation

Segment Notes:

This segment is used to separate the detail and summary sections of the message.

Example:

UNS+S'

St = Status
 EDIFACT: M=Mandatory, C=Conditional
 User specific: R=Required, O=Optional, D=Dependent,
 A=Advised, N=Not used, X=Not used



Segment number: 26

UNT - M 1 - Message trailer					
Function: To end and check the completeness of a message.					
Notes: 1. 0062, the value shall be identical to the value in 0062 in the corresponding UNH segment.					
		Standard	Implementation		
Tag	Name	St/Format	St	*	Usage
0074	Number of segments in a message	M n..10	M		The total number of segments in the message is detailed here.
0062	Message reference number	M an..14	M		The message reference numbered detailed here should equal the one specified in the UNH segment.

Segment Notes:

This segment is a mandatory UN/EDIFACT segment. It must always be the last segment in the message.

Example:
 UNT+24+1'

St = Status
 EDIFACT: M=Mandatory, C=Conditional
 User specific: R=Required, O=Optional, D=Dependent,
 A=Advised, N=Not used, X=Not used



Segment number: 27

UNZ - M 1 - Interchange trailer					
Function: To end and check the completeness of an interchange.					
Notes: 1. 0020, the value shall be identical to the value in 0020 in the corresponding UNB segment.					
		Standard	Implementation		
Tag	Name	St/Format	St	*	Usage
0036	Interchange control count	M n..6	M		Number of messages or functional groups within an interchange.
0020	Interchange control reference	M an..14	M		Identical to DE 0020 in UNB segment.

Segment Notes:

This segment is used to provide the trailer of an interchange.
 DE 0036: If functional groups are used, this is the number of functional groups within the interchange. If functional groups are not used, this is the number of messages within the interchange.

Example:

UNZ+1+12345555'

St = Status
 EDIFACT: M=Mandatory, C=Conditional
 User specific: R=Required, O=Optional, D=Dependent,
 A=Advised, N=Not used, X=Not used

ORDRSP
Sample message

Purchase order response message



No	Tag	Example
01	UNA	UNA:+.?*
02	UNB	UNB+UNOC:4+4032158361579:14+4260197450002:14+20190301:1043+12345555+++ +++1'
03	UNH	UNH+1+ORDRSP:D:01B:UN:EAN009'
04	BGM	BGM+231+201903456+4'
05	DTM	DTM+137:20190430:102'
06	DTM	DTM+17:20190501:102'
07	FTX	FTX+AAI+++This is a general information'
	SG1	
08	RFF	RFF+ON:50155290'
09	DTM	DTM+171:20190101:102'
	SG3	
10	NAD	NAD+SU+4032158361579::9'
	SG4	
11	RFF	RFF+YC1:718'
	SG6	
12	CTA	CTA+IC+Max Muster'
13	COM	COM+0044715326652:TE'
	SG3	
14	NAD	NAD+BY+4260197450002::9'
	SG4	
15	RFF	RFF+IT:15678914'
	SG3	
16	NAD	NAD+DP+4260197451023::9'
	SG8	
17	CUX	CUX+2:EUR:9'
	SG26	
18	LIN	LIN+1+3+9001490207315:SRV'
19	PIA	PIA+1+8764896:SA'
20	IMD	IMD+F+ANM+::9:Energydrink:Summer-Edition'
21	QTY	QTY+113:50:PCE'
22	DTM	DTM+17:20190501:102'
23	DTM	DTM+44:20190601:102'
24	QVR	QVR+50:21+BP+WR'
25	UNS	UNS+S'
26	UNT	UNT+24+1'
27	UNZ	UNZ+1+12345555'

No = Consecutive segment number