



Message Implementation Guideline

## **EUROTRADE purchase order**

based on

### **ORDERS**

Purchase order message

**EANCOM® 2002 S4**

Version: 1  
Variant: 2  
Issue date: 13.08.2018  
Author: Steiner Louis Daniel

---

1 Message Structure.....	3
2 Branching Diagram .....	4
3 Segments .....	8



## Structure / Table of Contents

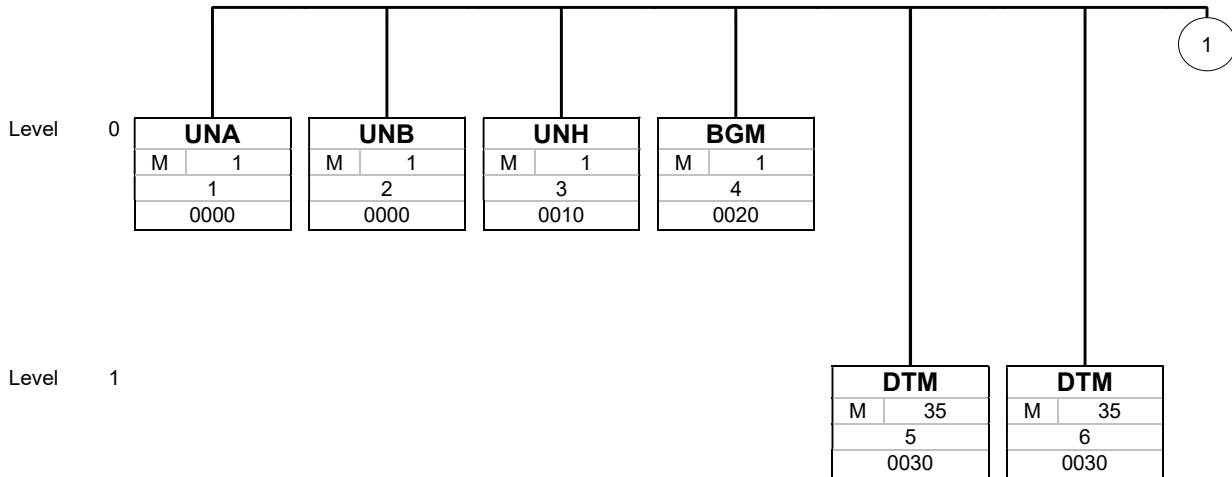
Counter	No	Tag	St	MaxOcc	Level	Content
0000	1	<b>UNA</b>	M	1	0	Service string advice
0000	2	<b>UNB</b>	M	1	0	Interchange header
0010	3	<b>UNH</b>	M	1	0	Message header
0020	4	<b>BGM</b>	M	1	0	Beginning of message
0030	5	<b>DTM</b>	M	35	1	Date/time/period
0030	6	<b>DTM</b>	M	35	1	Date/time/period
0070	7	<b>FTX</b>	C	99	1	Free text
0090		<b>SG1</b>	C	9999	1	RFF
0100	8	<b>RFF</b>	M	1	1	Reference
0120		<b>SG2</b>	C	99	1	NAD-SG3-SG5
0130	9	<b>NAD</b>	M	1	1	Name and address
0160		<b>SG3</b>	C	99	2	RFF
0170	10	<b>RFF</b>	M	1	2	Reference
0220		<b>SG5</b>	C	5	2	CTA-COM
0230	11	<b>CTA</b>	M	1	2	Contact information
0240	12	<b>COM</b>	C	5	3	Communication contact
1030		<b>SG28</b>	C	200000	1	LIN-PIA-IMD-QTY
1040	13	<b>LIN</b>	M	1	1	Line item
1050	14	<b>PIA</b>	C	25	2	Additional product id
1060	15	<b>IMD</b>	C	99	2	Item description
1080	16	<b>QTY</b>	M	99	2	Quantity
2330	17	<b>UNS</b>	M	1	0	Section control
2400	18	<b>UNT</b>	M	1	0	Message trailer
0000	19	<b>UNZ</b>	M	1	0	Interchange trailer

Counter = Counter of segment/group within the standard  
 No = Consecutive segment number  
 MaxOcc = Maximum occurrence of the segment/group

St = Status  
 EDIFACT: M=Mandatory, C=Conditional  
 User specific: R=Required, O=Optional, D=Dependent,  
 A=Advised, N=Not used

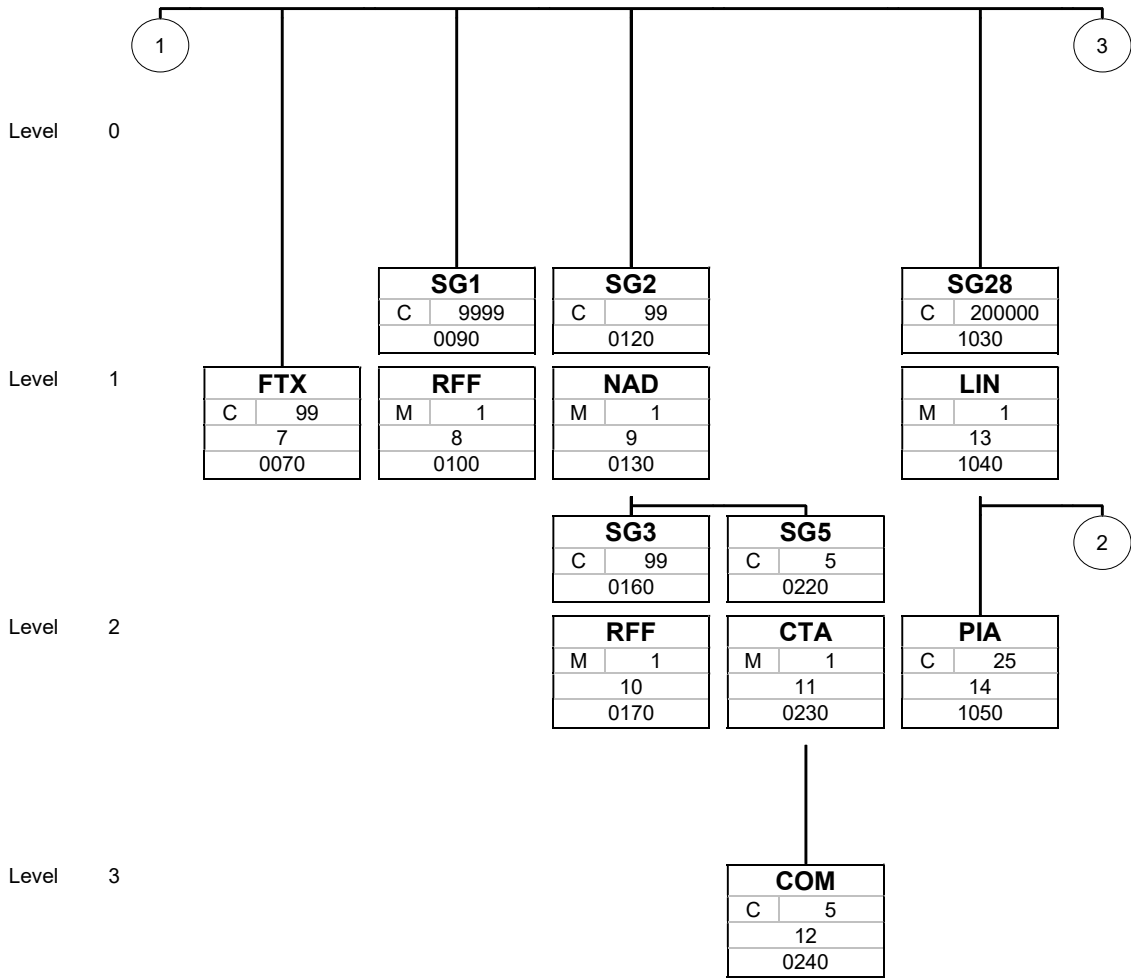


**Branching Diagram of Used Segments/Groups**



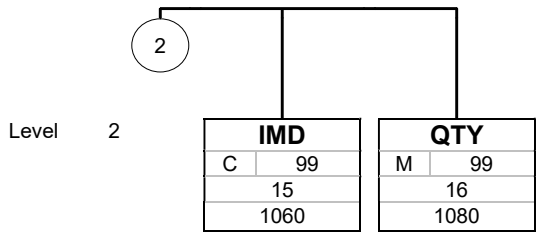
Tag
St MaxOcc
No
Counter

Tag = Segment/Group Tag  
 St = Status (M=Mandatory, C=Conditional, R=Required, O=Optional, A=Advised, D=Dependent)  
 MaxOcc = Maximum occurrence of the segment/group  
 No = Consecutive segment number  
 Counter = Counter of segment/group within the standard



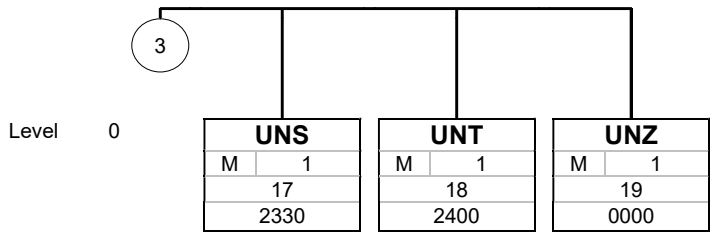
Tag
St MaxOcc
No
Counter

Tag = Segment/Group Tag  
 St = Status (M=Mandatory, C=Conditional, R=Required, O=Optional, A=Advised, D=Dependent)  
 MaxOcc = Maximum occurrence of the segment/group  
 No = Consecutive segment number  
 Counter = Counter of segment/group within the standard



Tag
St MaxOcc
No
Counter

Tag = Segment/Group Tag  
 St = Status (M=Mandatory, C=Conditional, R=Required, O=Optional, A=Advised, D=Dependent)  
 MaxOcc = Maximum occurrence of the segment/group  
 No = Consecutive segment number  
 Counter = Counter of segment/group within the standard



Tag
St MaxOcc
No
Counter

Tag = Segment/Group Tag  
 St = Status (M=Mandatory, C=Conditional, R=Required, O=Optional, A=Advised, D=Dependent)  
 MaxOcc = Maximum occurrence of the segment/group  
 No = Consecutive segment number  
 Counter = Counter of segment/group within the standard



**Segments**

Counter	No	Tag	St	MaxOcc	Level	Name
0000	1	<b>UNA</b>	M	1	0	Service string advice

		Standard	Implementation	
Tag	Name	St Format	St Format	Usage / Remark
UNA				
UNA1	Component data element separator	M an1	M an1	
UNA2	Data element separator	M an1	M an1	
UNA3	Decimal mark	M an1	M an1	
UNA4	Release character	M an1	M an1	
UNA5	Repetition separator	M an1	M an1	
UNA6	Segment terminator	M an1	M an1	

**Remark:**

**Example:**

UNA: + . ? \* '

No = Consecutive segment number  
 MaxOcc = Maximum occurrence of the segment/group  
 Counter = Counter of segment/group within the standard

St = Status  
 EDIFACT: M=Mandatory, C=Conditional  
 User specific: R=Required, O=Optional, D=Dependent,  
 A=Advised, N=Not used





Counter	No	Tag	St	MaxOcc	Level	Name
0000	2	<b>UNB</b>	M	1	0	Interchange header

Standard			Implementation	
Tag	Name	St Format	St Format	Usage / Remark
UNB				
S001	Syntax identifier	M	M	
0001	Syntax identifier	M a4	M a4	<b>UNOC = UN/ECE level C</b> As defined in ISO 8859-1 : Information processing - Part 1: Latin alphabet No. 1.
0002	Syntax version number	M an1	M an1	<b>4 = Version 4</b> ISO 9735:1998.
S002	Interchange sender	M	M	
0007	Identification code qualifier	C an..4	M an..4	<b>14 = GS1</b> Partner identification code assigned by GS1, an international organization of GS1 Member Organizations that manages the GS1 System.
S003	Interchange recipient	M	M	
0007	Identification code qualifier	C an..4	M an..4	<b>14 = GS1</b> Partner identification code assigned by GS1, an international organization of GS1 Member Organizations that manages the GS1 System.
S004	Date and time of preparation	M	M	
0020	Interchange control reference	M an..14	M an..14	
0035	Test indicator	C n1	C n1	<b>1 = Interchange is a test</b> Indicates that the interchange is a test.

**Remark:****Example:**

UNB+UNOC:4+4260197450002:14+4032158361579:14+20180813:1620+4711+++++1'

No = Consecutive segment number  
 MaxOcc = Maximum occurrence of the segment/group  
 Counter = Counter of segment/group within the standard

St = Status  
 EDIFACT: M=Mandatory, C=Conditional  
 User specific: R=Required, O=Optional, D=Dependent,  
 A=Advised, N=Not used



Counter	No	Tag	St	MaxOcc	Level	Name
0010	3	<b>UNH</b>	M	1	0	Message header

Standard			Implementation	
Tag	Name	St Format	St Format	Usage / Remark
UNH				
0062	Message reference number	M an..14	M an..14	
S009	Message identifier	M	M	
0065	Message type	M an..6	M an..6	<b>ORDERS</b> = <b>Purchase order message</b> A code to identify the purchase order message.
0052	Message version number	M an..3	M an..3	<b>D</b> = <b>Draft version/UN/EDIFACT Directory</b> Message approved and issued as a draft message (Valid for directories published after March 1993 and prior to March 1997). Message approved as a standard message (Valid for directories published after March 1997).
0054	Message release number	M an..3	M an..3	<b>01B</b> = <b>Release 2001 - B</b> Message approved and issued in the second 2001 release of the UNTDID (United Nations Trade Data Interchange Directory).
0051	Controlling agency, coded	M an..3	M an..3	<b>UN</b> = <b>UN/CEFACT</b> United Nations Centre for Trade Facilitation and Electronic Business (UN/CEFACT).
0057	Association assigned code	C an..6	M an..6	<b>EAN010</b> = <b>GS1 version control number (GS1 Permanent Code)</b>

**Remark:****Example:**

UNH+1+ORDERS:D:01B:UN:EAN010'

No = Consecutive segment number  
 MaxOcc = Maximum occurrence of the segment/group  
 Counter = Counter of segment/group within the standard

St = Status  
 EDIFACT: M=Mandatory, C=Conditional  
 User specific: R=Required, O=Optional, D=Dependent,  
 A=Advised, N=Not used



Counter	No	Tag	St	MaxOcc	Level	Name
0020	4	<b>BGM</b>	M	1	0	Beginning of message

Standard			Implementation	
Tag	Name	St Format	St Format	Usage / Remark
BGM				
C002	Document/message name	C	M	
1001	Document name code	C an..3	M an..3	<b>220 = Order</b> Document/message by means of which a buyer initiates a transaction with a seller involving the supply of goods or services as specified, according to conditions set out in an offer, or otherwise known to the buyer.
C106	Document/message identification	C	M	
1225	Message function code	C an..3	M an..3	<b>9 = Original</b> Initial transmission related to a given transaction.

**Remark:****Example:**

BGM+220+201808+9'

No = Consecutive segment number  
 MaxOcc = Maximum occurrence of the segment/group  
 Counter = Counter of segment/group within the standard

St = Status  
 EDIFACT: M=Mandatory, C=Conditional  
 User specific: R=Required, O=Optional, D=Dependent,  
 A=Advised, N=Not used



Counter	No	Tag	St	MaxOcc	Level	Name
0030	5	<b>DTM</b>	M	35	1	Date/time/period

Standard			Implementation	
Tag	Name	St Format	St Format	Usage / Remark
DTM				
C507	Date/time/period	M	M	
2005	Date or time or period function code qualifier	M an..3	M an..3	<b>137</b> = <b>Document/message date/time</b> (2006) Date/time when a document/message is issued. This may include authentication.
2379	Date or time or period format code	C an..3	M an..3	<b>102</b> = <b>CCYYMMDD</b> Calendar date: C = Century ; Y = Year ; M = Month ; D = Day.

**Remark:**

**Example:**

DTM+137:20180813:102'

No = Consecutive segment number  
 MaxOcc = Maximum occurrence of the segment/group  
 Counter = Counter of segment/group within the standard

St = Status  
 EDIFACT: M=Mandatory, C=Conditional  
 User specific: R=Required, O=Optional, D=Dependent,  
 A=Advised, N=Not used



Counter	No	Tag	St	MaxOcc	Level	Name
0030	6	<b>DTM</b>	M	35	1	Date/time/period

Standard			Implementation	
Tag	Name	St Format	St Format	Usage / Remark
DTM				
C507	Date/time/period	M	M	
2005	Date or time or period function code qualifier	M an..3	M an..3	<b>2</b> = <b>Delivery date/time, requested</b> Date on which buyer requests goods to be delivered.
2379	Date or time or period format code	C an..3	M an..3	<b>102</b> = <b>CCYYMMDD</b> Calendar date: C = Century ; Y = Year ; M = Month ; D = Day.

**Remark:**

**Example:**

DTM+2:20180820:102'

No = Consecutive segment number  
 MaxOcc = Maximum occurrence of the segment/group  
 Counter = Counter of segment/group within the standard

St = Status  
 EDIFACT: M=Mandatory, C=Conditional  
 User specific: R=Required, O=Optional, D=Dependent,  
 A=Advised, N=Not used



Counter	No	Tag	St	MaxOcc	Level	Name
0070	7	<b>FTX</b>	C	99	1	Free text

Standard			Implementation	
Tag	Name	St Format	St Format	Usage / Remark
FTX				
4451	Text subject code qualifier	M an..3	M an..3	<b>PUR = Purchasing information</b> Note contains purchasing information.
C108	Text literal	C	M	

**Remark:**

**Example:**

FTX+PUR+++Restocking mail from 10.08.2018, 13?:05'

No = Consecutive segment number  
 MaxOcc = Maximum occurrence of the segment/group  
 Counter = Counter of segment/group within the standard

St = Status  
 EDIFACT: M=Mandatory, C=Conditional  
 User specific: R=Required, O=Optional, D=Dependent,  
 A=Advised, N=Not used



Counter	No	Tag	St	MaxOcc	Level	Name
0090		<b>SG1</b>	C	9999	1	<b>RFF</b>
0100	8	<b>RFF</b>	M	1	1	<b>Reference</b>

Standard			Implementation	
Tag	Name	St Format	St Format	Usage / Remark
RFF				
C506	Reference	M	M	
1153	Reference code qualifier	M an..3	M an..3	<b>ON = Order number (buyer)</b> [1022] Reference number assigned by the buyer to an order.

**Remark:**

**Example:**

RFF+ON:201808'

No = Consecutive segment number  
 MaxOcc = Maximum occurrence of the segment/group  
 Counter = Counter of segment/group within the standard

St = Status  
 EDIFACT: M=Mandatory, C=Conditional  
 User specific: R=Required, O=Optional, D=Dependent,  
 A=Advised, N=Not used



Counter	No	Tag	St	MaxOcc	Level	Name
	0120	<b>SG2</b>	C	99	1	<b>NAD-SG3-SG5</b>
	0130	9 <b>NAD</b>	M	1	1	<b>Name and address</b>

Standard			Implementation	
Tag	Name	St Format	St Format	Usage / Remark
NAD				
3035	Party function code qualifier	M an..3	M an..3	<b>BY = Buyer</b> Party to whom merchandise and/or service is sold.
C082	Party identification details	C	M	
3055	Code list responsible agency code	C an..3	M an..3	<b>9 = GS1</b> GS1 (formerly EAN International), an organisation of GS1 Member Organisations, which manages the GS1 System.

**Remark:**

**Example:**

NAD+BY+4260197450002::9'

No = Consecutive segment number  
 MaxOcc = Maximum occurrence of the segment/group  
 Counter = Counter of segment/group within the standard

St = Status  
 EDIFACT: M=Mandatory, C=Conditional  
 User specific: R=Required, O=Optional, D=Dependent,  
 A=Advised, N=Not used





Counter	No	Tag	St	MaxOcc	Level	Name
0160		<b>SG3</b>	C	99	2	<b>RFF</b>
0170	10	<b>RFF</b>	M	1	2	<b>Reference</b>

Standard			Implementation	
Tag	Name	St Format	St Format	Usage / Remark
RFF				
C506	Reference	M	M	
1153	Reference code qualifier	M an..3	M an..3	<b>YC1 = Additional party identification (GS1 Temporary Code)</b> Reference number to an additional party identification. This number may be the internal trading partner identification number used by a party to identify its trading parties.

**Remark:**

**Example:**

RFF+YC1:789432'

No = Consecutive segment number  
 MaxOcc = Maximum occurrence of the segment/group  
 Counter = Counter of segment/group within the standard

St = Status  
 EDIFACT: M=Mandatory, C=Conditional  
 User specific: R=Required, O=Optional, D=Dependent,  
 A=Advised, N=Not used



Counter	No	Tag	St	MaxOcc	Level	Name
0220		<b>SG5</b>	C	5	2	<b>CTA-COM</b>
0230	11	<b>CTA</b>	M	1	2	<b>Contact information</b>

Standard			Implementation	
Tag	Name	St Format	St Format	Usage / Remark
CTA				
3139	Contact function code	C an..3	C an..3	<b>OC = Order contact</b> An individual to contact for questions regarding this order.

**Remark:**

**Example:**

CTA+OC'

No = Consecutive segment number  
 MaxOcc = Maximum occurrence of the segment/group  
 Counter = Counter of segment/group within the standard

St = Status  
 EDIFACT: M=Mandatory, C=Conditional  
 User specific: R=Required, O=Optional, D=Dependent,  
 A=Advised, N=Not used



Counter	No	Tag	St	MaxOcc	Level	Name
	0220	<b>SG5</b>	C	5	2	<b>CTA-COM</b>
	0240	12 <b>COM</b>	C	5	3	<b>Communication contact</b>

Standard			Implementation	
Tag	Name	St Format	St Format	Usage / Remark
COM				
C076	Communication contact	M	M	
3155	Communication address code qualifier	M an..3	M an..3	<b>EM = Electronic mail</b> Exchange of mail by electronic means.

**Remark:****Example:**

COM+dispo.eurotrade@munch-airport.de:EM'

No = Consecutive segment number  
 MaxOcc = Maximum occurrence of the segment/group  
 Counter = Counter of segment/group within the standard

St = Status  
 EDIFACT: M=Mandatory, C=Conditional  
 User specific: R=Required, O=Optional, D=Dependent,  
 A=Advised, N=Not used



Counter	No	Tag	St	MaxOcc	Level	Name
	1030	<b>SG28</b>	C	200000	1	<b>LIN-PIA-IMD-QTY</b>
	1040	13	<b>LIN</b>	M	1	<b>Line item</b>

Standard			Implementation	
Tag	Name	St Format	St Format	Usage / Remark
LIN				
1082	Line item identifier	C an..6	M an..6	
C212	Item number identification	C	C	
7143	Item type identification code	C an..3	C an..3	<b>SRV = GS1 Global Trade Item Number</b> A unique number, up to 14-digits, assigned according to the numbering structure of the GS1 system. 'GS1' stands for the 'Global Standards One'.

**Remark:**

**Example:**

LIN+1++9001490207315:SRV'

No = Consecutive segment number  
 MaxOcc = Maximum occurrence of the segment/group  
 Counter = Counter of segment/group within the standard

St = Status  
 EDIFACT: M=Mandatory, C=Conditional  
 User specific: R=Required, O=Optional, D=Dependent,  
 A=Advised, N=Not used



Counter	No	Tag	St	MaxOcc	Level	Name
	1030	<b>SG28</b>	C	200000	1	<b>LIN-PIA-IMD-QTY</b>
	1050	14 <b>PIA</b>	C	25	2	<b>Additional product id</b>

Standard			Implementation	
Tag	Name	St Format	St Format	Usage / Remark
PIA				
4347	Product identifier code qualifier	M an..3	M an..3	<b>5</b> = <b>Product identification</b> The item number is for product identification.
C212	Item number identification	M	M	
7143	Item type identification code	C an..3	M an..3	<b>SA</b> = <b>Supplier's article number</b> Number assigned to an article by the supplier of that article.

**Remark:**

**Example:**

PIA+5+8764896:SA'

No = Consecutive segment number  
 MaxOcc = Maximum occurrence of the segment/group  
 Counter = Counter of segment/group within the standard

St = Status  
 EDIFACT: M=Mandatory, C=Conditional  
 User specific: R=Required, O=Optional, D=Dependent,  
 A=Advised, N=Not used



Counter	No	Tag	St	MaxOcc	Level	Name
1030		<b>SG28</b>	C	200000	1	<b>LIN-PIA-IMD-QTY</b>
1060	15	<b>IMD</b>	C	99	2	<b>Item description</b>

Standard			Implementation	
Tag	Name	St Format	St Format	Usage / Remark
IMD				
7077	Description format code	C an..3	M an..3	<b>F = Free-form</b> Description of an item in free form text.
C272	Item characteristic	C	M	
7081	Item characteristic code	C an..3	M an..3	<b>ANM = Article name (GS1 Temporary Code)</b> The name of the product.
C273	Item description	C	C	
3055	Code list responsible agency code	C an..3	M an..3	<b>9 = GS1</b> GS1 (formerly EAN International), an organisation of GS1 Member Organisations, which manages the GS1 System.

**Remark:**

**Example:**

IMD+F+ANM+::9:Energydrink:Summer-Edition'

No = Consecutive segment number  
 MaxOcc = Maximum occurrence of the segment/group  
 Counter = Counter of segment/group within the standard

St = Status  
 EDIFACT: M=Mandatory, C=Conditional  
 User specific: R=Required, O=Optional, D=Dependent,  
 A=Advised, N=Not used



Counter	No	Tag	St	MaxOcc	Level	Name
1030		<b>SG28</b>	C	200000	1	<b>LIN-PIA-IMD-QTY</b>
1080	16	<b>QTY</b>	M	99	2	<b>Quantity</b>

Standard			Implementation	
Tag	Name	St Format	St Format	Usage / Remark
QTY				
C186	Quantity details	M	M	
6063	Quantity type code qualifier	M an..3	M an..3	<b>21 = Ordered quantity</b> The quantity which has been ordered.
6411	Measurement unit code	C an..3	M an..3	<b>PCE = Piece (GS1 Temporary Code)</b>

**Remark:**

**Example:**

QTY+21:2:PCE'

No = Consecutive segment number  
 MaxOcc = Maximum occurrence of the segment/group  
 Counter = Counter of segment/group within the standard

St = Status  
 EDIFACT: M=Mandatory, C=Conditional  
 User specific: R=Required, O=Optional, D=Dependent,  
 A=Advised, N=Not used



Counter	No	Tag	St	MaxOcc	Level	Name
2330	17	<b>UNS</b>	M	1	0	Section control

Standard			Implementation	
Tag	Name	St Format	St Format	Usage / Remark
UNS				
0081	Section identification	M a1	M a1	<b>S</b> = Detail/summary section separation To qualify the segment UNS, when separating the detail from the summary section of a message.

**Remark:****Example:**

UNS+S'

No = Consecutive segment number  
 MaxOcc = Maximum occurrence of the segment/group  
 Counter = Counter of segment/group within the standard

St = Status  
 EDIFACT: M=Mandatory, C=Conditional  
 User specific: R=Required, O=Optional, D=Dependent,  
 A=Advised, N=Not used





Counter	No	Tag	St	MaxOcc	Level	Name
2400	18	<b>UNT</b>	M	1	0	Message trailer

Standard			Implementation	
Tag	Name	St Format	St Format	Usage / Remark
UNT				
0074	Number of segments in a message	M n..10	M n..10	
0062	Message reference number	M an..14	M an..14	

**Remark:**

**Example:**

UNT+17+1'

No = Consecutive segment number  
 MaxOcc = Maximum occurrence of the segment/group  
 Counter = Counter of segment/group within the standard

St = Status  
 EDIFACT: M=Mandatory, C=Conditional  
 User specific: R=Required, O=Optional, D=Dependent,  
 A=Advised, N=Not used



Counter	No	Tag	St	MaxOcc	Level	Name
0000	19	<b>UNZ</b>	M	1	0	Interchange trailer

Standard			Implementation	
Tag	Name	St Format	St Format	Usage / Remark
UNZ				
0036	Interchange control count	M n..6	M n..6	
0020	Interchange control reference	M an..14	M an..14	

**Remark:**

**Example:**

UNZ+1+4711'

No = Consecutive segment number  
 MaxOcc = Maximum occurrence of the segment/group  
 Counter = Counter of segment/group within the standard

St = Status  
 EDIFACT: M=Mandatory, C=Conditional  
 User specific: R=Required, O=Optional, D=Dependent,  
 A=Advised, N=Not used



## Purchase order example

### 1) Simple purchase order:

UNA:+.?\*"
UNB+UNOC:4+4260197450002:14+4032158361579:14+20180813:1620+4711+++++1'
UNH+1+ORDERS:D:01B:UN:EAN010'
BGM+220+201808+9'
DTM+137:20180813:102'
DTM+2:20180820:102'
FTX+PUR+++Restocking mail from 10.08.2018, 13?:05'
RFF+ON:201808'
NAD+SU+4032158361579::9'
RFF+YC1:789432'
NAD+BY+4260197450002::9'
RFF+IT:15678914'
CTA+OC'
COM+dispo.eurotrade@munich-airport.de:EM'
NAD+DP+4260197450002::9'
RFF+YC1:718'
LIN+1++9001490207315:EN'
PIA+5+8764896:SA'
IMD+F+ANM+::9:Energydrink:Summer-Edition'
QTY+21:2:PCE'
LIN+2++5070612546221:EN'
PIA+5+7891321:SA'
IMD+F+ANM+::9:Erfrischungsgetraenk:Himbeere-Zitrone'
QTY+21:5:PCE'
UNS+S'
UNT+24+1'
UNZ+1+4711'