



Message Implementation Guideline

## HORSCH DELFOR

based on

### **DELFOR**

Delivery schedule message

### **UN D.04A S3**

Version: D04A  
Variant: 1.0  
Issue date: 22.01.2018  
Author: ecosio GmbH

1 Message Structure.....	2
2 Branching Diagram .....	4
3 Segments .....	10

## Structure / Table of Contents

Counter	No	Tag	St	MaxOcc	Level	Content
0000	1	UNA	C	1	0	Service string advice
0000	2	UNB	M	1	0	Interchange header
0010	3	UNH	M	1	0	Message header
0020	4	BGM	M	1	0	Begin of message
0030	5	DTM	M	10	1	Document Issue Date
0030	6	DTM	M	10	1	Type of delivery dates
0080		<b>SG2</b>	R	99	1	Buyer
0090	7	NAD	M	1	1	Buyer's name and address
0100		<b>SG3</b>	C	99	2	Buyer's additional information
0110	8	RFF	M	1	2	Additional reference
0130		<b>SG4</b>	C	5	2	Buyer's contact information
0140	9	CTA	M	1	2	Contact name
0150	10	COM	C	5	3	Contact details
0080		<b>SG2</b>	R	99	1	Supplier
0090	11	NAD	M	1	1	Supplier's name and address
0100		<b>SG3</b>	C	99	2	Supplier's additional information
0110	12	RFF	M	1	2	Additional reference
0190		<b>SG6</b>	C	9999	1	Ship-To level
0200	13	GEI	M	1	1	Processing information
0210		<b>SG7</b>	R	1	2	Ship-To
0220	14	NAD	M	1	2	Ship-To
0230	15	LOC	C	10	3	Plant code
0230	16	LOC	C	10	3	Unloading point
0370		<b>SG12</b>	C	9999	2	Scheduled material details
0380	17	LIN	M	1	2	Buyer's material number
0390	18	PIA	R	10	3	Seller's material number
0400	19	IMD	R	10	3	Material description
0400	20	IMD	R	10	3	Drawing revision number
0480		<b>SG13</b>	M	99	3	Order number
0490	21	RFF	M	1	3	Order number
0480		<b>SG13</b>	M	99	3	Delivery schedule number new
0490	22	RFF	M	1	3	Delivery schedule number new
0500	23	DTM	R	9	4	Delivery schedule date new
0480		<b>SG13</b>	R	99	3	Delivery schedule number old
0490	24	RFF	M	1	3	Delivery schedule number old
0500	25	DTM	R	9	4	Delivery schedule date old
0580		<b>SG16</b>	R	99	3	Cumulative ordered quantity
0590	26	QTY	M	1	3	Cumulative ordered quantity

Counter = Counter of segment/group within the standard  
 No = Consecutive segment number  
 MaxOcc = Maximum occurrence of the segment/group

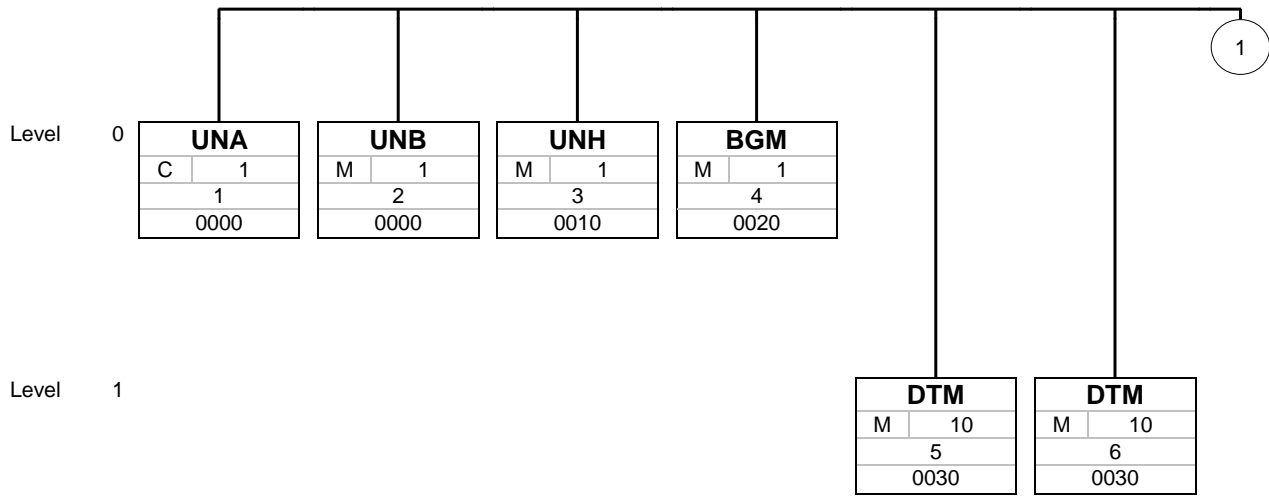
St = Status  
 EDIFACT: M=Mandatory, C=Conditional  
 User specific: R=Required, O=Optional, D=Dependent,  
 A=Advised, N=Not used

Counter	No	Tag	St	MaxOcc	Level	Content
0600	27	<b>DTM</b>	C	2	4	Cumulative quantity order date
0580		<b>SG16</b>	R	99	3	Cumulative received quantity
0590	28	<b>QTY</b>	M	1	3	Cumulative received quantity
0600	29	<b>DTM</b>	C	2	4	Cumulative quantity end date
0580		<b>SG16</b>	R	99	3	Last delivery
0590	30	<b>QTY</b>	M	1	3	Last received quantity
0600	31	<b>DTM</b>	M	2	4	Last delivery date
0610		<b>SG17</b>	R	99	4	Last dispatch advice
0620	32	<b>RFF</b>	M	1	4	Last dispatch advice number
0630	33	<b>DTM</b>	C	9	5	Last dispatch advice date
0640		<b>SG18</b>	M	999	3	Scheduling data
0650	34	<b>SCC</b>	M	1	3	Schedule type
0660		<b>SG19</b>	M	999	4	Scheduled quantity
0670	35	<b>QTY</b>	M	1	4	Scheduled quantity
0680	36	<b>DTM</b>	M	9	5	Scheduled date(s)
0660		<b>SG19</b>	C	999	4	Cumulative scheduled quantity
0670	37	<b>QTY</b>	M	1	4	Cumulative scheduled quantity
1110	38	<b>UNT</b>	M	1	0	Message trailer
0000	39	<b>UNZ</b>	M	1	0	Interchange trailer

Counter = Counter of segment/group within the standard  
 No = Consecutive segment number  
 MaxOcc = Maximum occurrence of the segment/group

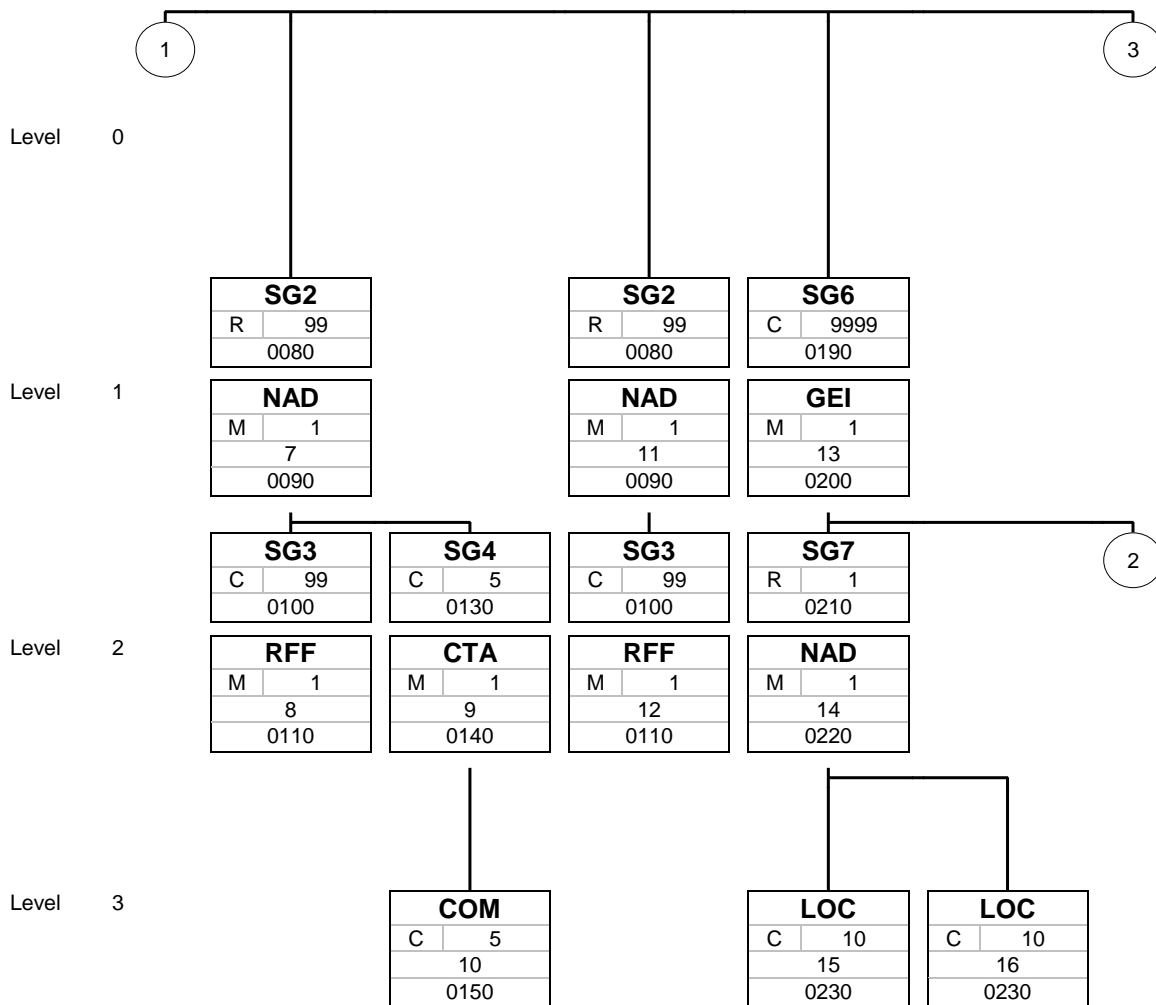
St = Status  
 EDIFACT: M=Mandatory, C=Conditional  
 User specific: R=Required, O=Optional, D=Dependent,  
 A=Advised, N=Not used

**Branching Diagram of Used Segments/Groups**



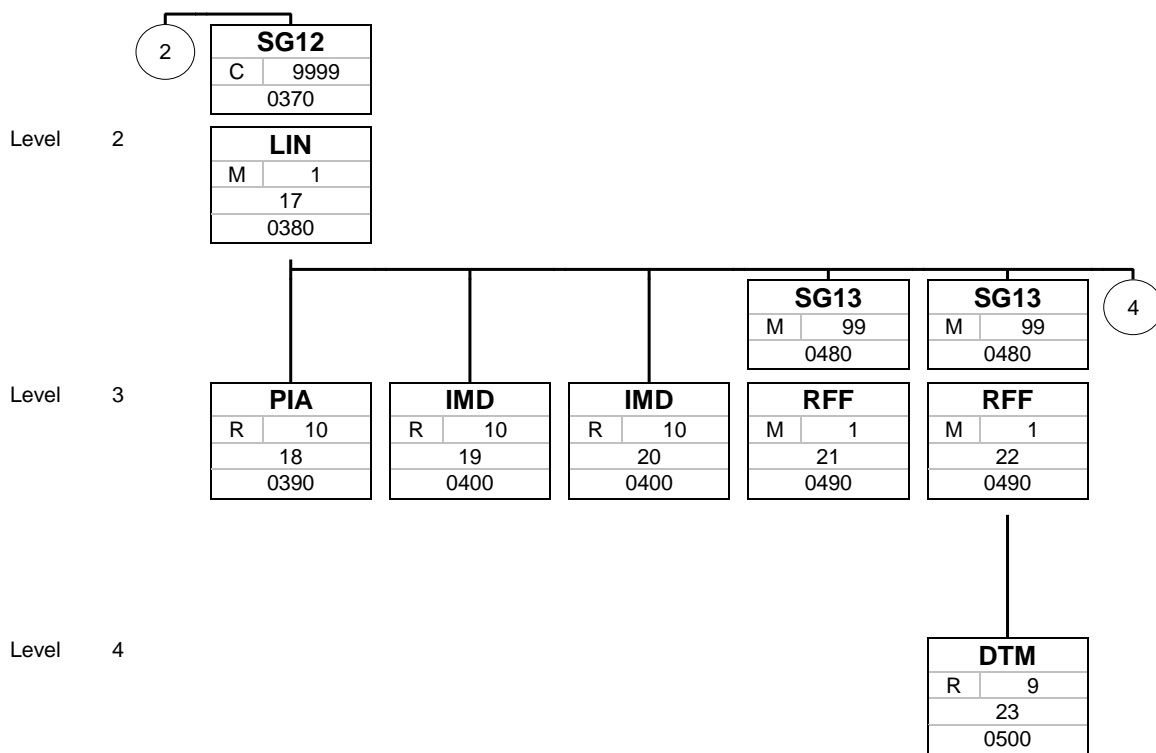
Tag
St MaxOcc
No
Counter

Tag = Segment/Group Tag  
 St = Status (M=Mandatory, C=Conditional, R=Required, O=Optional, A=Advised, D=Dependent)  
 MaxOcc = Maximum occurrence of the segment/group  
 No = Consecutive segment number  
 Counter = Counter of segment/group within the standard



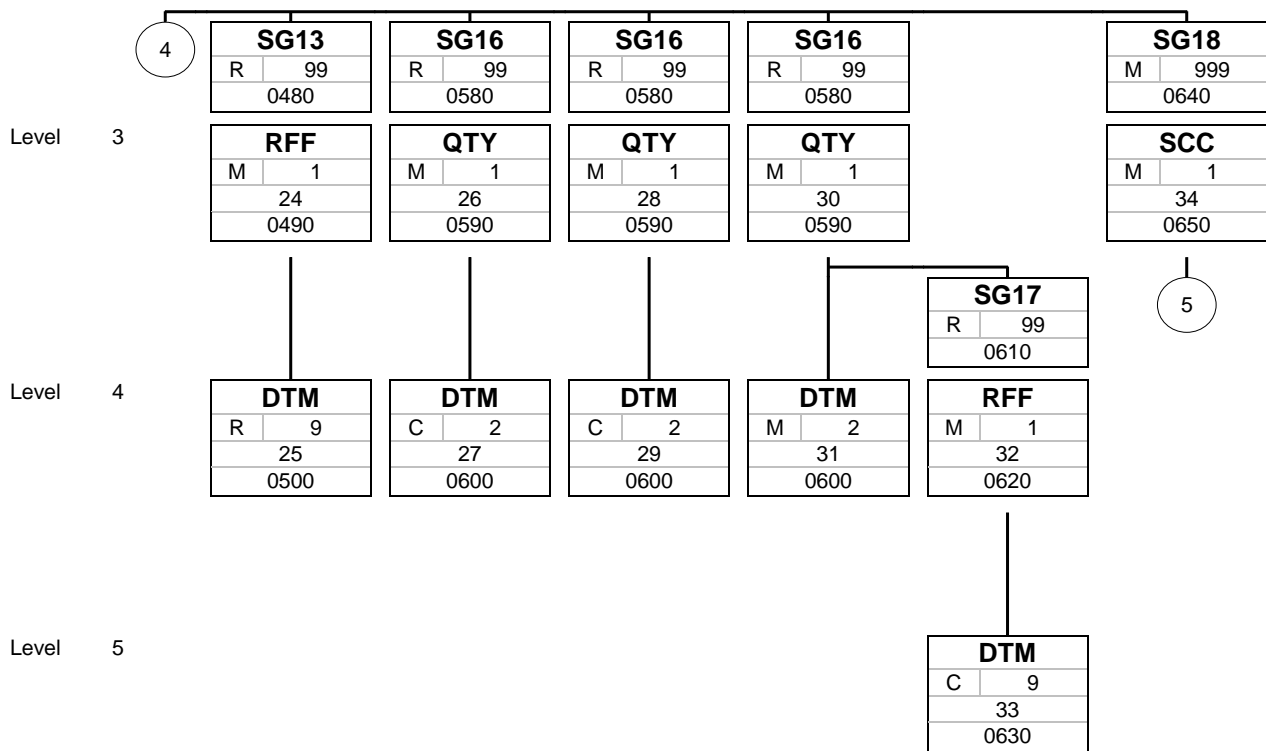
Tag
St MaxOcc
No
Counter

Tag = Segment/Group Tag  
 St = Status (M=Mandatory, C=Conditional, R=Required, O=Optional, A=Advised, D=Dependent)  
 MaxOcc = Maximum occurrence of the segment/group  
 No = Consecutive segment number  
 Counter = Counter of segment/group within the standard



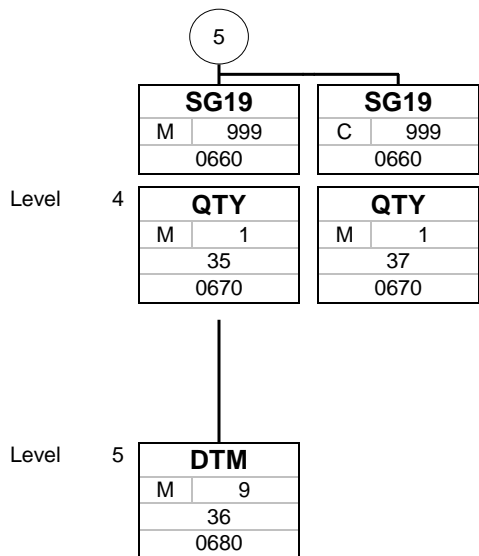
Tag
St MaxOcc
No
Counter

Tag = Segment/Group Tag  
 St = Status (M=Mandatory, C=Conditional, R=Required, O=Optional, A=Advised, D=Dependent)  
 MaxOcc = Maximum occurrence of the segment/group  
 No = Consecutive segment number  
 Counter = Counter of segment/group within the standard



Tag
St MaxOcc
No
Counter

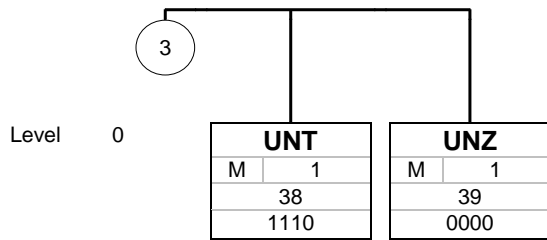
Tag = Segment/Group Tag  
 St = Status (M=Mandatory, C=Conditional, R=Required, O=Optional, A=Advised, D=Dependent)  
 MaxOcc = Maximum occurrence of the segment/group  
 No = Consecutive segment number  
 Counter = Counter of segment/group within the standard



Tag
St MaxOcc
No
Counter

Tag = Segment/Group Tag  
 St = Status (M=Mandatory, C=Conditional, R=Required, O=Optional, A=Advised, D=Dependent)  
 MaxOcc = Maximum occurrence of the segment/group  
 No = Consecutive segment number  
 Counter = Counter of segment/group within the standard





Tag
St MaxOcc
No
Counter

Tag = Segment/Group Tag  
 St = Status (M=Mandatory, C=Conditional, R=Required, O=Optional, A=Advised, D=Dependent)  
 MaxOcc = Maximum occurrence of the segment/group  
 No = Consecutive segment number  
 Counter = Counter of segment/group within the standard



**Segments**

Counter	No	Tag	St	MaxOcc	Level	Name
0000	1	<b>UNA</b>	C	1	0	Service string advice

		Standard	Implementation		
Tag	Name	St Format	St Format	Usage / Remark	
UNA					
UNA1	Component data element separator	M an1	M an1	Used as a separator between component data elements contained within a composite data element (default value: ".")	
UNA2	Data element separator	M an1	M an1	Used to separate two simple or composite data elements (default value: "+" )	
UNA3	Decimal notation	M an1	M an1	Used to indicate the character used for decimal notation (default value: ".")	
UNA4	Release indicator	M an1	M an1	Used to restore any service character to its original specification (value: "?")	
UNA5	Reserved for future use	M an1	M an1	(default value: space )	
UNA6	Segment terminator	M an1	M an1	Used to indicate the end of segment data (default value: "' '")	

**Remark:**  
Provides details about the special characters used in the message.

**Example:**  
UNA:+. ? ' '

No = Consecutive segment number  
MaxOcc = Maximum occurrence of the segment/group  
Counter = Counter of segment/group within the standard

St = Status  
EDIFACT: M=Mandatory, C=Conditional  
User specific: R=Required, O=Optional, D=Dependent, A=Advised, N=Not used



Counter	No	Tag	St	MaxOcc	Level	Name
0000	2	<b>UNB</b>	M	1	0	Interchange header

Standard			Implementation	
Tag	Name	St Format	St Format	Usage / Remark
UNB				
S001	Syntax identifier	M	M	
0001	Syntax identifier	M a4	M a4	The encoding of the message. Always ISO-8859-1 <b>UNOC UN/ECE level C</b>
0002	Syntax version number	M n1	M n1	<b>3 Version 3</b>
S002	Interchange sender	M	M	
0004	Sender identification	M an..35	M an..35	Sender of the EDIFACT message. Identified using a Global Location Number (GLN), a Dun & Bradstreet Number (DUNS), or a mutually agreed identifier. HORSCH strongly encourages the use of GLN and DUNS numbers.
0007	Partner identification code qualifier	C an..4	R an..4	<b>01 DUNS (Data Universal Numbering System)</b> <b>14 GS1</b> <b>ZZ Mutually defined</b>
0008	Address for reverse routing	C an..14	N	Not used
S003	Interchange recipient	M	M	
0010	Recipient identification	M an..35	M an..35	Recipient of the EDIFACT message. Identified using a Global Location Number (GLN), a Dun & Bradstreet Number (DUNS), or a mutually agreed identifier. HORSCH strongly encourages the use of GLN and DUNS numbers.
0007	Partner identification code qualifier	C an..4	R an..4	<b>01 DUNS (Data Universal Numbering System)</b> <b>14 ILN/GLN</b> <b>ZZ Mutually agreed</b>
0014	Routing address	C an..14	N	Not used
S004	Date/time of preparation	M	M	
0017	Date of preparation	M n6	M n6	YYMMDD
0019	Time of preparation	M n4	M n4	HHMM
0020	Interchange control reference	M an..14	M an..14	Unique reference identifying the interchange. Created by the sender's system. In order to allow for an easy lookup of interchange numbers in case of message disputes, it is encouraged that interchange reference numbers are unique per sender/receiver combination. Usually this means, that auto increment numbers shall be used.
S005	Recipient's reference, password	C	N	
0022	Recipient's reference/password	M an..14	M an..14	
0025	Recipient's reference/password qualifier	C an2	N	Not used
0026	Application reference	C an..14	N	Not used
0029	Processing priority code	C a1	N	Not used
0031	Acknowledgement request	C n1	N	Not used
0032	Communications agreement ID	C an..35	N	Not used
0035	Test indicator	C n1	O n1	<b>1 Interchange is a test</b>

**Remark:**

This segment is used to envelope the interchange, as well as to identify both, the party to whom the interchange is sent and the party who has sent the interchange. The principle of the UNB segment is the same as a physical envelope which covers one or more letters or documents, and which details, both the address where delivery is to take place and the address from where the envelope has come.

**Example:**

UNB+UNOC:3+315034343:01+123456789:01+171213:1832+1234+++++1'

No = Consecutive segment number  
 MaxOcc = Maximum occurrence of the segment/group  
 Counter = Counter of segment/group within the standard

St = Status  
 EDIFACT: M=Mandatory, C=Conditional  
 User specific: R=Required, O=Optional, D=Dependent,  
 A=Advised, N=Not used



Counter	No	Tag	St	MaxOcc	Level	Name
0010	3	<b>UNH</b>	M	1	0	Message header

Standard			Implementation	
Tag	Name	St Format	St Format	Usage / Remark
UNH				
0062	Message reference number	M an..14	M an..14	Sender's unique message reference. Sequence number of the messages in the interchange. DE 0062 in the UNT will be exactly the same. Sender generated.
S009	Message identifier	M	M	
0065	Message type	M an..6	M an..6	<b>DELFOR Delivery schedule message</b>
0052	Message version number	M an..3	M an..3	<b>D Draft version/UN/EDIFACT Directory</b>
0054	Message release number	M an..3	M an..3	<b>04A Release 2004 - A</b>
0051	Controlling agency	M an..2	M an..2	<b>UN UN/CEFACT</b>
0057	Association assigned code	C an..6	N	Not used
0068	Common access reference	C an..35	N	Not used
S010	Status of the transfer	C	N	
0070	Sequence of transfers	M n..2	N	Not used
0073	First and last transfer	C a1	N	Not used

**Remark:**

This segment is used to head, identify and specify a message.

**Example:**

UNH+9876+DELFOR:D:04A:UN'

No = Consecutive segment number  
 MaxOcc = Maximum occurrence of the segment/group  
 Counter = Counter of segment/group within the standard

St = Status  
 EDIFACT: M=Mandatory, C=Conditional  
 User specific: R=Required, O=Optional, D=Dependent,  
 A=Advised, N=Not used



Counter	No	Tag	St	MaxOcc	Level	Name
---------	----	-----	----	--------	-------	------

0020 4 **BGM** M 1 0 **Begin of message**

Standard			Implementation	
Tag	Name	St Format	St Format	Usage / Remark
BGM				
C002	Document/message name	C	R	
1001	Document name code	C an..3	R an..3	<p><b>241 Delivery schedule</b> Firm instructions are represented by schedule information with SCC+1</p> <p>Committed forecasts for manufacturing and material are represented by schedule information with SCC+2</p>
1131	Code list identification code	C an..17	N	Not used
3055	Code list responsible agency code	C an..3	N	Not used
1000	Document name	C an..35	N	Not used
C106	Document/message identification	C	R	
1004	Document identifier	C an..35	R an..35	Document number assigned by document sender.
1056	Version identifier	C an..9	N	Not used
1060	Revision identifier	C an..6	N	Not used
1225	Message function code	C an..3	R an..3	<p><b>9 Original</b> The message function of the given purchase order. In case of HORSCH only '9' is supported, which is an original order. To amend an existing order message, an order change message shall be used.</p>
4343	Response type code	C an..3	N	Not used

**Remark:**

This segment is used to indicate the type and function of a message and to transmit the identifying number.

**Example:**

BGM+241+80001+9'

No = Consecutive segment number  
 MaxOcc = Maximum occurrence of the segment/group  
 Counter = Counter of segment/group within the standard

St = Status  
 EDIFACT: M=Mandatory, C=Conditional  
 User specific: R=Required, O=Optional, D=Dependent,  
 A=Advised, N=Not used



Counter	No	Tag	St	MaxOcc	Level	Name
0030	5	<b>DTM</b>	M	10	1	Document Issue Date

Standard			Implementation	
Tag	Name	St Format	St Format	Usage / Remark
DTM				
C507	Date/time/period	M	M	
2005	Date or time or period function code qualifier	M an..3	M an..3	<b>137 Document issue date time</b>
2380	Date or time or period text	C an..35	R an..35	Document Issue Date
2379	Date or time or period format code	C an..3	R an..3	<b>102 CCYYMMDD</b>

**Remark:**  
This segment is used to specify the document issue date.

**Example:**  
DTM+137:20180105:102'

No = Consecutive segment number  
MaxOcc = Maximum occurrence of the segment/group  
Counter = Counter of segment/group within the standard

St = Status  
EDIFACT: M=Mandatory, C=Conditional  
User specific: R=Required, O=Optional, D=Dependent,  
A=Advised, N=Not used



Counter	No	Tag	St	MaxOcc	Level	Name
---------	----	-----	----	--------	-------	------

0030 6 **DTM** M 10 1 **Type of delivery dates**

Standard			Implementation	
Tag	Name	St Format	St Format	Usage / Remark
DTM				
C507	Date/time/period	M	M	
2005	Date or time or period function code qualifier	M an..3	M an..3	Requested dates in the document are delivery dates, NOT shipment dates <b>2 Delivery date/time, requested</b>
2380	Date or time or period text	C an..35	N	Not used
2379	Date or time or period format code	C an..3	N	Not used

**Remark:**  
Requested dates in the document are delivery dates, NOT shipment dates

**Example:**  
DTM+2'

No = Consecutive segment number  
MaxOcc = Maximum occurrence of the segment/group  
Counter = Counter of segment/group within the standard

St = Status  
EDIFACT: M=Mandatory, C=Conditional  
User specific: R=Required, O=Optional, D=Dependent,  
A=Advised, N=Not used



Counter	No	Tag	St	MaxOcc	Level	Name
0080		<b>SG2</b>	R	99	1	Buyer
0090	7	<b>NAD</b>	M	1	1	Buyer's name and address

Standard			Implementation	
Tag	Name	St Format	St Format	Usage / Remark
NAD				
3035	Party function code qualifier	M an..3	M an..3	<b>BY Buyer</b>
C082	Party identification details	C	C	
3039	Party identifier	M an..35	M an..35	The involved business entities are identified using a Global Location Number (GLN), a Dun & Bradstreet Number (DUNS), or a mutually agreed identifier. HORSCH strongly encourages the use of GLN and DUNS numbers.
1131	Code list identification code	C an..17	A an..17	
3055	Code list responsible agency code	C an..3	R an..3	<b>16 US, D&amp;B (Dun &amp; Bradstreet Corporation)</b> <b>9 GS1</b> <b>ZZZ Mutually defined</b>
C058	Name and address	C	N	
3124	Name and address description	M an..35	M an..35	
3124	Name and address description	C an..35	N	Not used
3124	Name and address description	C an..35	N	Not used
3124	Name and address description	C an..35	N	Not used
3124	Name and address description	C an..35	N	Not used
C080	Party name	C	D	
3036	Party name	M an..35	M an..35	Business partner name
3036	Party name	C an..35	O an..35	Business partner name
3036	Party name	C an..35	N	Not used
3036	Party name	C an..35	N	Not used
3036	Party name	C an..35	N	Not used
3045	Party name format code	C an..3	N	Not used
C059	Street	C	D	
3042	Street and number or post office box identifier	M an..35	M an..35	Building name/number and street
3042	Street and number or post office box identifier	C an..35	O an..35	Building name/number and street
3042	Street and number or post office box identifier	C an..35	N	Not used
3042	Street and number or post office box identifier	C an..35	N	Not used
3164	City name	C an..35	D an..35	City name of the business partner
C819	Country sub-entity details	C	N	
3229	Country sub-entity name code	C an..9	N	Not used
1131	Code list identification code	C an..17	N	Not used
3055	Code list responsible agency code	C an..3	N	Not used
3228	Country sub-entity name	C an..70	N	Not used
3251	Postal identification code	C an..17	D an..17	Postal code of the business partner
3207	Country name code	C an..3	D an..3	Used to provide the country code. ISO 3166 2-Alpha Codes shall be used.

**Remark:**  
Used to provide details about the buyer party.

**Example:**

No = Consecutive segment number  
MaxOcc = Maximum occurrence of the segment/group  
Counter = Counter of segment/group within the standard

St = Status  
EDIFACT: M=Mandatory, C=Conditional  
User specific: R=Required, O=Optional, D=Dependent,  
A=Advised, N=Not used





NAD+BY+316356880::16++Horsch Maschinen GmbH:SAD+Sitzenhof 1:Zentrale Auftragsverarbeitung+Schwando  
rf++92401+DE'

No = Consecutive segment number  
MaxOcc = Maximum occurrence of the segment/group  
Counter = Counter of segment/group within the standard

St = Status  
EDIFACT: M=Mandatory, C=Conditional  
User specific: R=Required, O=Optional, D=Dependent,  
A=Advised, N=Not used

Counter	No	Tag	St	MaxOcc	Level	Name
	0100	<b>SG3</b>	C	99	2	<b>Buyer's additional information</b>
	0110	8 <b>RFF</b>	M	1	2	<b>Additional reference</b>

Standard			Implementation	
Tag	Name	St Format	St Format	Usage / Remark
RFF				
C506	Reference	M	M	
1153	Reference code qualifier	M an..3	M an..3	<b>AHL Creditor's reference number</b>
1154	Reference identifier	C an..70	R an..70	The reference number
1156	Document line identifier	C an..6	N	Not used
4000	Reference version identifier	C an..35	N	Not used
1060	Revision identifier	C an..6	N	Not used

**Remark:**

This segment is used to specify the creditor's reference number. This is the number, by which HORSCH is known at the supplier's side.

**Example:**

RFF+AHL:0236520'

No = Consecutive segment number  
 MaxOcc = Maximum occurrence of the segment/group  
 Counter = Counter of segment/group within the standard

St = Status  
 EDIFACT: M=Mandatory, C=Conditional  
 User specific: R=Required, O=Optional, D=Dependent,  
 A=Advised, N=Not used



Counter	No	Tag	St	MaxOcc	Level	Name
0130		<b>SG4</b>	C	5	2	<b>Buyer's contact information</b>
0140	9	<b>CTA</b>	M	1	2	<b>Contact name</b>

Standard			Implementation	
Tag	Name	St Format	St Format	Usage / Remark
CTA				
3139	Contact function code	C an..3	C an..3	The contact at the buyer's side <b>IC Information contact</b>
C056	Department or employee details	C	C	
3413	Department or employee name code	C an..17	N	Not used
3412	Department or employee name	C an..35	M an..35	The first name and last name of the contact person

**Remark:**  
This segment is used to provide details about the buyer's contact person.

**Example:**  
CTA+IC+:Max Mustermann'

No = Consecutive segment number  
MaxOcc = Maximum occurrence of the segment/group  
Counter = Counter of segment/group within the standard

St = Status  
EDIFACT: M=Mandatory, C=Conditional  
User specific: R=Required, O=Optional, D=Dependent,  
A=Advised, N=Not used



Counter	No	Tag	St	MaxOcc	Level	Name
0130		<b>SG4</b>	C	5	2	<b>Buyer's contact information</b>
0150	10	<b>COM</b>	C	5	3	<b>Contact details</b>

Standard			Implementation	
Tag	Name	St Format	St Format	Usage / Remark
COM				
C076	Communication contact	M	M	
3148	Communication address identifier	M an..512	M an..512	Communication details
3155	Communication address code qualifier	M an..3	M an..3	<b>EM Electronic mail</b> <b>FX Telefax</b> <b>TE Telephone</b>

**Remark:**  
The communication details of the contact person.

**Example:**  
COM+jess@buyer.com:EM'  
COM+(0049)94317143-9200:FX'  
COM+(0049)94317143-0:TE'

No = Consecutive segment number  
MaxOcc = Maximum occurrence of the segment/group  
Counter = Counter of segment/group within the standard

St = Status  
EDIFACT: M=Mandatory, C=Conditional  
User specific: R=Required, O=Optional, D=Dependent,  
A=Advised, N=Not used



Counter	No	Tag	St	MaxOcc	Level	Name
0080		<b>SG2</b>	R	99	1	<b>Supplier</b>
0090	11	<b>NAD</b>	M	1	1	<b>Supplier's name and address</b>

Standard			Implementation	
Tag	Name	St Format	St Format	Usage / Remark
NAD				
3035	Party function code qualifier	M an..3	M an..3	<b>SU Supplier</b>
C082	Party identification details	C	C	
3039	Party identifier	M an..35	M an..35	The involved business entities are identified using a Global Location Number (GLN), a Dun & Bradstreet Number (DUNS), or a mutually agreed identifier. HORSCH strongly encourages the use of GLN and DUNS numbers.
1131	Code list identification code	C an..17	A an..17	
3055	Code list responsible agency code	C an..3	R an..3	<b>16 US, D&amp;B (Dun &amp; Bradstreet Corporation)</b> <b>9 GS1</b> <b>ZZZ Mutually defined</b>
C058	Name and address	C	N	
3124	Name and address description	M an..35	M an..35	
3124	Name and address description	C an..35	N	Not used
3124	Name and address description	C an..35	N	Not used
3124	Name and address description	C an..35	N	Not used
3124	Name and address description	C an..35	N	Not used
C080	Party name	C	D	
3036	Party name	M an..35	M an..35	Business partner name
3036	Party name	C an..35	O an..35	Business partner name
3036	Party name	C an..35	N	Not used
3036	Party name	C an..35	N	Not used
3036	Party name	C an..35	N	Not used
3045	Party name format code	C an..3	N	Not used
C059	Street	C	D	
3042	Street and number or post office box identifier	M an..35	M an..35	Building name/number and street
3042	Street and number or post office box identifier	C an..35	O an..35	Building name/number and street
3042	Street and number or post office box identifier	C an..35	N	Not used
3042	Street and number or post office box identifier	C an..35	N	Not used
3164	City name	C an..35	D an..35	City name of the business partner
C819	Country sub-entity details	C	N	
3229	Country sub-entity name code	C an..9	N	Not used
1131	Code list identification code	C an..17	N	Not used
3055	Code list responsible agency code	C an..3	N	Not used
3228	Country sub-entity name	C an..70	N	Not used
3251	Postal identification code	C an..17	D an..17	Postal code of the business partner
3207	Country name code	C an..3	D an..3	Used to provide the country code. ISO 3166 2-Alpha Codes shall be used.

**Remark:**  
Used to provide details about the supplier party.

**Example:**

No = Consecutive segment number  
MaxOcc = Maximum occurrence of the segment/group  
Counter = Counter of segment/group within the standard

St = Status  
EDIFACT: M=Mandatory, C=Conditional  
User specific: R=Required, O=Optional, D=Dependent,  
A=Advised, N=Not used



NAD+SU+896532145::16++Supplier Company:SUPPL+Street 1:Floor 2+Town++03214+DE'

No = Consecutive segment number  
MaxOcc = Maximum occurrence of the segment/group  
Counter = Counter of segment/group within the standard

St = Status  
EDIFACT: M=Mandatory, C=Conditional  
User specific: R=Required, O=Optional, D=Dependent,  
A=Advised, N=Not used



Counter	No	Tag	St	MaxOcc	Level	Name
	0100	<b>SG3</b>	C	99	2	Supplier's additional information
	0110	12 <b>RFF</b>	M	1	2	Additional reference

Standard			Implementation	
Tag	Name	St Format	St Format	Usage / Remark
RFF				
C506	Reference	M	M	
1153	Reference code qualifier	M an..3	M an..3	<b>AHM Debtor's reference number</b>
1154	Reference identifier	C an..70	R an..70	The reference number
1156	Document line identifier	C an..6	N	Not used
4000	Reference version identifier	C an..35	N	Not used
1060	Revision identifier	C an..6	N	Not used

**Remark:**

This segment is used to specify the debtor's reference number. This is the number, by which the supplier is known at HORSCH's side.

**Example:**

RFF+AHM:0003252'

No = Consecutive segment number  
 MaxOcc = Maximum occurrence of the segment/group  
 Counter = Counter of segment/group within the standard

St = Status  
 EDIFACT: M=Mandatory, C=Conditional  
 User specific: R=Required, O=Optional, D=Dependent,  
 A=Advised, N=Not used



Counter	No	Tag	St	MaxOcc	Level	Name
	0190	<b>SG6</b>	C	9999	1	<b>Ship-To level</b>
	0200	13 <b>GEI</b>	M	1	1	<b>Processing information</b>

Standard			Implementation	
Tag	Name	St Format	St Format	Usage / Remark
GEI				
9649	Processing information code qualifier	M an..3	M an..3	<b>3 Scheduling type information</b>
C012	Processing indicator	C	R	
7365	Processing indicator description code	C an..3	R an..3	<b>37 Complete information</b> The delivery instruction data replace all previously sent information completely
1131	Code list identification code	C an..17	N	Not used
3055	Code list responsible agency code	C an..3	N	Not used
7364	Processing indicator description	C an..35	N	Not used
7187	Process type description code	C an..17	N	Not used

**Remark:**  
Indicates if the schedule consists of complete or changed information.

**Example:**  
GEI+3+37'

No = Consecutive segment number  
MaxOcc = Maximum occurrence of the segment/group  
Counter = Counter of segment/group within the standard

St = Status  
EDIFACT: M=Mandatory, C=Conditional  
User specific: R=Required, O=Optional, D=Dependent,  
A=Advised, N=Not used





Counter	No	Tag	St	MaxOcc	Level	Name
	0210	<b>SG7</b>	R	1	2	<b>Ship-To</b>
	0220	14 <b>NAD</b>	M	1	2	<b>Ship-To</b>

Standard			Implementation	
Tag	Name	St Format	St Format	Usage / Remark
NAD				
3035	Party function code qualifier	M an..3	M an..3	<b>ST Ship to</b>
C082	Party identification details	C	A	
3039	Party identifier	M an..35	M an..35	The involved business entities are identified using a Global Location Number (GLN), a Dun & Bradstreet Number (DUNS), or a mutually agreed identifier. HORSCH strongly encourages the use of GLN and DUNS numbers.
1131	Code list identification code	C an..17	N	Not used
3055	Code list responsible agency code	C an..3	M an..3	<b>16 US, D&amp;B (Dun &amp; Bradstreet Corporation)</b> <b>9 GS1</b> <b>ZZZ Mutually defined</b>
C058	Name and address	C	N	
3124	Name and address description	M an..35	N	Not used
3124	Name and address description	C an..35	N	Not used
3124	Name and address description	C an..35	N	Not used
3124	Name and address description	C an..35	N	Not used
3124	Name and address description	C an..35	N	Not used
C080	Party name	C	D	
3036	Party name	M an..35	M an..35	Business partner name
3036	Party name	C an..35	O an..35	Business partner name
3036	Party name	C an..35	N	Not used
3036	Party name	C an..35	N	Not used
3036	Party name	C an..35	N	Not used
3045	Party name format code	C an..3	N	Not used
C059	Street	C	D	
3042	Street and number or post office box identifier	M an..35	M an..35	Building name/number and street
3042	Street and number or post office box identifier	C an..35	O an..35	Building name/number and street
3042	Street and number or post office box identifier	C an..35	N	Not used
3042	Street and number or post office box identifier	C an..35	N	Not used
3164	City name	C an..35	D an..35	City name of the business partner
C819	Country sub-entity details	C	N	
3229	Country sub-entity name code	C an..9	N	Not used
1131	Code list identification code	C an..17	N	Not used
3055	Code list responsible agency code	C an..3	N	Not used
3228	Country sub-entity name	C an..70	N	Not used
3251	Postal identification code	C an..17	D an..17	Postal code of the business partner
3207	Country name code	C an..3	D an..3	Used to provide the country code. ISO 3166 2-Alpha Codes shall be used.

**Remark:**

Used to provide the delivery address of the given material.  
Please check LOC segments for plant code and unloading point.

No = Consecutive segment number  
MaxOcc = Maximum occurrence of the segment/group  
Counter = Counter of segment/group within the standard

St = Status  
EDIFACT: M=Mandatory, C=Conditional  
User specific: R=Required, O=Optional, D=Dependent,  
A=Advised, N=Not used



**Example:**

NAD+ST+316356880::16++Horsch Maschinen GmbH:SAD+Sitzenhof 1:Hof+Schwandorf++92401+DE'

No = Consecutive segment number  
MaxOcc = Maximum occurrence of the segment/group  
Counter = Counter of segment/group within the standard

St = Status  
EDIFACT: M=Mandatory, C=Conditional  
User specific: R=Required, O=Optional, D=Dependent,  
A=Advised, N=Not used



Counter	No	Tag	St	MaxOcc	Level	Name	
	0210	<b>SG7</b>	R	1	2	<b>Ship-To</b>	
	0230	15	<b>LOC</b>	C	10	3	<b>Plant code</b>

Standard			Implementation	
Tag	Name	St Format	St Format	Usage / Remark
LOC				
3227	Location function code qualifier	M an..3	M an..3	<b>7 Place of delivery</b>
C517	Location identification	C	M	
3225	Location name code	C an..35	M an..35	Plant code
1131	Code list identification code	C an..17	N	Not used
3055	Code list responsible agency code	C an..3	M an..3	<b>92 Assigned by buyer or buyer's agent</b>
3224	Location name	C an..256	C an..256	Location description
C519	Related location one identification	C	N	
3223	First related location name code	C an..25	N	Not used
1131	Code list identification code	C an..17	N	Not used
3055	Code list responsible agency code	C an..3	N	Not used
3222	First related location name	C an..70	N	Not used
C553	Related location two identification	C	N	
3233	Second related location name code	C an..25	N	Not used
1131	Code list identification code	C an..17	N	Not used
3055	Code list responsible agency code	C an..3	N	Not used
3232	Second related location name	C an..70	N	Not used
5479	Relation code	C an..3	N	Not used

**Remark:**

Represents HORSCH's plant code.

Won't be available if the shipping should be delivered at non HORSCH delivery point.

**Example:**

LOC+7+2000::92:Plant code'

No = Consecutive segment number  
 MaxOcc = Maximum occurrence of the segment/group  
 Counter = Counter of segment/group within the standard

St = Status  
 EDIFACT: M=Mandatory, C=Conditional  
 User specific: R=Required, O=Optional, D=Dependent,  
 A=Advised, N=Not used



Counter	No	Tag	St	MaxOcc	Level	Name	
	0210	<b>SG7</b>	R	1	2	<b>Ship-To</b>	
	0230	16	<b>LOC</b>	C	10	3	<b>Unloading point</b>

Standard			Implementation	
Tag	Name	St Format	St Format	Usage / Remark
LOC				
3227	Location function code qualifier	M an..3	M an..3	<b>11 Place of discharge</b>
C517	Location identification	C	C	
3225	Location name code	C an..35	M an..35	Unloading point
1131	Code list identification code	C an..17	N	Not used
3055	Code list responsible agency code	C an..3	M an..3	<b>92 Assigned by buyer or buyer's agent</b>
3224	Location name	C an..256	C an..256	Location description
C519	Related location one identification	C	N	
3223	First related location name code	C an..25	N	Not used
1131	Code list identification code	C an..17	N	Not used
3055	Code list responsible agency code	C an..3	N	Not used
3222	First related location name	C an..70	N	Not used
C553	Related location two identification	C	N	
3233	Second related location name code	C an..25	N	Not used
1131	Code list identification code	C an..17	N	Not used
3055	Code list responsible agency code	C an..3	N	Not used
3232	Second related location name	C an..70	N	Not used
5479	Relation code	C an..3	N	Not used

**Remark:**

Represents HORSCHs unloading point.

Won't be available if the shipping should be delivered at non HORSCH delivery point.

**Example:**

LOC+11+2000::92:Location description'

No = Consecutive segment number  
 MaxOcc = Maximum occurrence of the segment/group  
 Counter = Counter of segment/group within the standard

St = Status  
 EDIFACT: M=Mandatory, C=Conditional  
 User specific: R=Required, O=Optional, D=Dependent,  
 A=Advised, N=Not used



Counter	No	Tag	St	MaxOcc	Level	Name
0370		<b>SG12</b>	C	9999	2	Scheduled material details
0380	17	<b>LIN</b>	M	1	2	Buyer's material number

Standard			Implementation	
Tag	Name	St Format	St Format	Usage / Remark
LIN				
1082	Line item identifier	C an..6	M an..6	Position number
1229	Action request/notification description code	C an..3	N	Not used
C212	Item number identification	C	M	
7140	Item identifier	C an..35	M an..35	Material number assigned by buyer
7143	Item type identification code	C an..3	M an..3	<b>IN Buyer's item number</b>
1131	Code list identification code	C an..17	N	Not used
3055	Code list responsible agency code	C an..3	N	Not used
C829	Sub-line information	C	N	
5495	Sub-line indicator code	C an..3	N	Not used
1082	Line item identifier	C an..6	N	Not used
1222	Configuration level number	C n..2	N	Not used
7083	Configuration operation code	C an..3	N	Not used

**Remark:**  
 This segment is used to identify the item being scheduled.  
 It as well defines the buyer's material number.

**Example:**  
 LIN+00010++24708500UB:IN'

No = Consecutive segment number  
 MaxOcc = Maximum occurrence of the segment/group  
 Counter = Counter of segment/group within the standard

St = Status  
 EDIFACT: M=Mandatory, C=Conditional  
 User specific: R=Required, O=Optional, D=Dependent,  
 A=Advised, N=Not used



Counter	No	Tag	St	MaxOcc	Level	Name	
	0370	<b>SG12</b>	C	9999	2	<b>Scheduled material details</b>	
	0390	18	<b>PIA</b>	R	10	3	<b>Seller's material number</b>

Standard			Implementation	
Tag	Name	St Format	St Format	Usage / Remark
PIA				
4347	Product identifier code qualifier	M an..3	M an..3	<b>5 Product identification</b>
C212	Item number identification	M	M	
7140	Item identifier	C an..35	M an..35	Seller's material number
7143	Item type identification code	C an..3	M an..3	<b>SA Supplier's article number</b>
1131	Code list identification code	C an..17	N	Not used
3055	Code list responsible agency code	C an..3	N	Not used
C212	Item number identification	C	N	
7140	Item identifier	C an..35	N	Not used
7143	Item type identification code	C an..3	N	Not used
1131	Code list identification code	C an..17	N	Not used
3055	Code list responsible agency code	C an..3	N	Not used
C212	Item number identification	C	N	
7140	Item identifier	C an..35	N	Not used
7143	Item type identification code	C an..3	N	Not used
1131	Code list identification code	C an..17	N	Not used
3055	Code list responsible agency code	C an..3	N	Not used
C212	Item number identification	C	N	
7140	Item identifier	C an..35	N	Not used
7143	Item type identification code	C an..3	N	Not used
1131	Code list identification code	C an..17	N	Not used
3055	Code list responsible agency code	C an..3	N	Not used

**Remark:**

This segment is used to specify the supplier's material number.

**Example:**

PIA+5+MA0001 : SA'

No = Consecutive segment number  
 MaxOcc = Maximum occurrence of the segment/group  
 Counter = Counter of segment/group within the standard

St = Status  
 EDIFACT: M=Mandatory, C=Conditional  
 User specific: R=Required, O=Optional, D=Dependent,  
 A=Advised, N=Not used



Counter	No	Tag	St	MaxOcc	Level	Name	
	0370	<b>SG12</b>	C	9999	2	<b>Scheduled material details</b>	
	0400	19	<b>IMD</b>	R	10	3	<b>Material description</b>

Standard			Implementation	
Tag	Name	St Format	St Format	Usage / Remark
IMD				
7077	Description format code	C an..3	C an..3	<b>F Free-form</b>
C272	Item characteristic	C	N	
7081	Item characteristic code	C an..3	N	Not used
1131	Code list identification code	C an..17	N	Not used
3055	Code list responsible agency code	C an..3	N	Not used
C273	Item description	C	R	
7009	Item description code	C an..17	N	Not used
1131	Code list identification code	C an..17	N	Not used
3055	Code list responsible agency code	C an..3	N	Not used
7008	Item description	C an..256	C an..256	Material description
7008	Item description	C an..256	C an..256	Material description
3453	Language name code	C an..3	N	Not used
7383	Surface or layer code	C an..3	N	Not used

**Remark:**  
Here you can find the material's description.

**Example:**  
IMD+F++::Material 12345:red'

No = Consecutive segment number  
MaxOcc = Maximum occurrence of the segment/group  
Counter = Counter of segment/group within the standard

St = Status  
EDIFACT: M=Mandatory, C=Conditional  
User specific: R=Required, O=Optional, D=Dependent,  
A=Advised, N=Not used



Counter	No	Tag	St	MaxOcc	Level	Name
0370		<b>SG12</b>	C	9999	2	Scheduled material details
0400	20	<b>IMD</b>	R	10	3	Drawing revision number

Standard			Implementation	
Tag	Name	St Format	St Format	Usage / Remark
<b>IMD</b>				
7077	Description format code	C an..3	C an..3	<b>B Code and text</b>
C272	Item characteristic	C	N	
7081	Item characteristic code	C an..3	N	Not used
1131	Code list identification code	C an..17	N	Not used
3055	Code list responsible agency code	C an..3	N	Not used
C273	Item description	C	R	
7009	Item description code	C an..17	N	Not used
1131	Code list identification code	C an..17	N	Not used
3055	Code list responsible agency code	C an..3	N	Not used
7008	Item description	C an..256	C an..256	Drawing revision number
7008	Item description	C an..256	C an..256	Drawing revision number
3453	Language name code	C an..3	N	Not used
7383	Surface or layer code	C an..3	N	Not used

**Remark:**  
Here you can find the material's drawing revision number.

**Example:**  
IMD+B++:::Zeichungsstand 471:A'

No = Consecutive segment number  
MaxOcc = Maximum occurrence of the segment/group  
Counter = Counter of segment/group within the standard

St = Status  
EDIFACT: M=Mandatory, C=Conditional  
User specific: R=Required, O=Optional, D=Dependent,  
A=Advised, N=Not used





Counter	No	Tag	St	MaxOcc	Level	Name
0480		<b>SG13</b>	M	99	3	Order number
0490	21	<b>RFF</b>	M	1	3	Order number

Standard			Implementation	
Tag	Name	St Format	St Format	Usage / Remark
RFF				
C506	Reference	M	M	
1153	Reference code qualifier	M an..3	M an..3	<b>ON Order document identifier, buyer assigned</b>
1154	Reference identifier	C an..70	M an..70	Order number
1156	Document line identifier	C an..6	N	Not used
4000	Reference version identifier	C an..35	N	Not used
1060	Revision identifier	C an..6	N	Not used

**Remark:**  
 Defines the schedule's order number.

**Example:**  
 RFF+ON: 580003252'

No = Consecutive segment number  
 MaxOcc = Maximum occurrence of the segment/group  
 Counter = Counter of segment/group within the standard

St = Status  
 EDIFACT: M=Mandatory, C=Conditional  
 User specific: R=Required, O=Optional, D=Dependent,  
 A=Advised, N=Not used



Counter	No	Tag	St	MaxOcc	Level	Name
0480		<b>SG13</b>	M	99	3	Delivery schedule number new
0490	22	<b>RFF</b>	M	1	3	Delivery schedule number new

Standard			Implementation	
Tag	Name	St Format	St Format	Usage / Remark
RFF				
C506	Reference	M	M	
1153	Reference code qualifier	M an..3	M an..3	<b>AAN Delivery schedule number</b>
1154	Reference identifier	C an..70	M an..70	Current delivery schedule number
1156	Document line identifier	C an..6	N	Not used
4000	Reference version identifier	C an..35	N	Not used
1060	Revision identifier	C an..6	N	Not used

**Remark:**  
 In this reference you can find the actual schedule number.  
 It will always be higher than the previous one.

**Example:**  
 RFF+AAN: 3'

No = Consecutive segment number  
 MaxOcc = Maximum occurrence of the segment/group  
 Counter = Counter of segment/group within the standard

St = Status  
 EDIFACT: M=Mandatory, C=Conditional  
 User specific: R=Required, O=Optional, D=Dependent,  
 A=Advised, N=Not used



Counter	No	Tag	St	MaxOcc	Level	Name
0480		<b>SG13</b>	M	99	3	Delivery schedule number new
0500	23	<b>DTM</b>	R	9	4	Delivery schedule date new

Standard			Implementation	
Tag	Name	St Format	St Format	Usage / Remark
DTM				
C507	Date/time/period	M	M	
2005	Date or time or period function code qualifier	M an..3	M an..3	<b>171 Reference date/time</b>
2380	Date or time or period text	C an..35	M an..35	Current delivery schedule date
2379	Date or time or period format code	C an..3	M an..3	<b>102 CCYYMMDD</b>

**Remark:**  
self explanatory

**Example:**  
DTM+171:20180105:102'

No = Consecutive segment number  
MaxOcc = Maximum occurrence of the segment/group  
Counter = Counter of segment/group within the standard

St = Status  
EDIFACT: M=Mandatory, C=Conditional  
User specific: R=Required, O=Optional, D=Dependent,  
A=Advised, N=Not used



Counter	No	Tag	St	MaxOcc	Level	Name
	0480	<b>SG13</b>	R	99	3	Delivery schedule number old
	0490	24 <b>RFF</b>	M	1	3	Delivery schedule number old

Standard			Implementation	
Tag	Name	St Format	St Format	Usage / Remark
RFF				
C506	Reference	M	M	
1153	Reference code qualifier	M an..3	M an..3	<b>AIF Previous delivery instruction number</b>
1154	Reference identifier	C an..70	M an..70	Previous delivery schedule number
1156	Document line identifier	C an..6	N	Not used
4000	Reference version identifier	C an..35	N	Not used
1060	Revision identifier	C an..6	N	Not used

**Remark:**  
self explanatory

**Example:**  
RFF+AIF:2'

No = Consecutive segment number  
 MaxOcc = Maximum occurrence of the segment/group  
 Counter = Counter of segment/group within the standard

St = Status  
 EDIFACT: M=Mandatory, C=Conditional  
 User specific: R=Required, O=Optional, D=Dependent,  
 A=Advised, N=Not used



Counter	No	Tag	St	MaxOcc	Level	Name
0480		<b>SG13</b>	R	99	3	Delivery schedule number old
0500	25	<b>DTM</b>	R	9	4	Delivery schedule date old

Standard			Implementation	
Tag	Name	St Format	St Format	Usage / Remark
DTM				
C507	Date/time/period	M	M	
2005	Date or time or period function code qualifier	M an..3	M an..3	<b>171 Reference date/time</b>
2380	Date or time or period text	C an..35	M an..35	Previous delivery schedule date
2379	Date or time or period format code	C an..3	M an..3	<b>102 CCYYMMDD</b>

**Remark:**  
self explanatory

**Example:**  
DTM+171:20171229:102'

No = Consecutive segment number  
MaxOcc = Maximum occurrence of the segment/group  
Counter = Counter of segment/group within the standard

St = Status  
EDIFACT: M=Mandatory, C=Conditional  
User specific: R=Required, O=Optional, D=Dependent,  
A=Advised, N=Not used



Counter	No	Tag	St	MaxOcc	Level	Name
	0580	<b>SG16</b>	R	99	3	Cumulative ordered quantity
	0590	26 <b>QTY</b>	M	1	3	Cumulative ordered quantity

Standard			Implementation	
Tag	Name	St Format	St Format	Usage / Remark
QTY				
C186	Quantity details	M	M	
6063	Quantity type code qualifier	M an..3	M an..3	<b>71 Cumulative quantity ordered</b>
6060	Quantity	M an..35	M an..35	Quantity
6411	Measurement unit code	C an..8	R an..8	Code specifying the unit of measurement, use UN/ECE Recommendation 20, Common code <b>C62 one</b> <b>KGM kilogram</b> <b>KMT kilometre</b> <b>LTR litre</b> <b>MTK square metre</b> <b>MTQ cubic metre</b> <b>MTR metre</b> <b>PCE piece</b> <b>SET set</b> <b>TNE tonne (metric ton)</b>

**Remark:**  
self explanatory

**Example:**  
QTY+71:15:C62'

No = Consecutive segment number  
 MaxOcc = Maximum occurrence of the segment/group  
 Counter = Counter of segment/group within the standard

St = Status  
 EDIFACT: M=Mandatory, C=Conditional  
 User specific: R=Required, O=Optional, D=Dependent,  
 A=Advised, N=Not used



Counter	No	Tag	St	MaxOcc	Level	Name
0580		<b>SG16</b>	R	99	3	Cumulative ordered quantity
0600	27	<b>DTM</b>	C	2	4	Cumulative quantity order date

Standard			Implementation	
Tag	Name	St Format	St Format	Usage / Remark
DTM				
C507	Date/time/period	M	M	
2005	Date or time or period function code qualifier	M an..3	M an..3	<b>51 Cumulative quantity start date</b>
2380	Date or time or period text	C an..35	M an..35	Cumulative quantity start date
2379	Date or time or period format code	C an..3	M an..3	<b>102 CCYYMMDD</b>

**Remark:**  
On this date the ordered quantity for thee next period was fixed.

**Example:**  
DTM+51:20170101:102'

No = Consecutive segment number  
MaxOcc = Maximum occurrence of the segment/group  
Counter = Counter of segment/group within the standard

St = Status  
EDIFACT: M=Mandatory, C=Conditional  
User specific: R=Required, O=Optional, D=Dependent,  
A=Advised, N=Not used



Counter	No	Tag	St	MaxOcc	Level	Name
	0580	<b>SG16</b>	R	99	3	Cumulative received quantity
	0590	<b>QTY</b>	M	1	3	Cumulative received quantity

Standard			Implementation	
Tag	Name	St Format	St Format	Usage / Remark
QTY				
C186	Quantity details	M	M	
6063	Quantity type code qualifier	M an..3	M an..3	<b>70 Cumulative quantity received</b>
6060	Quantity	M an..35	M an..35	Cumulative received quantity
6411	Measurement unit code	C an..8	R an..8	Code specifying the unit of measurement, use UN/ECE Recommendation 20, Common code <b>C62 one</b> <b>KGM kilogram</b> <b>KMT kilometre</b> <b>LTR litre</b> <b>MTK square metre</b> <b>MTQ cubic metre</b> <b>MTR metre</b> <b>PCE piece</b> <b>SET set</b> <b>TNE tonne (metric ton)</b>

**Remark:**  
Cumulative received quantity until last delivery.

**Example:**  
QTY+70:10:C62'

No = Consecutive segment number  
 MaxOcc = Maximum occurrence of the segment/group  
 Counter = Counter of segment/group within the standard

St = Status  
 EDIFACT: M=Mandatory, C=Conditional  
 User specific: R=Required, O=Optional, D=Dependent,  
 A=Advised, N=Not used





Counter	No	Tag	St	MaxOcc	Level	Name
0580		<b>SG16</b>	R	99	3	Cumulative received quantity
0600	29	<b>DTM</b>	C	2	4	Cumulative quantity end date

Standard			Implementation	
Tag	Name	St Format	St Format	Usage / Remark
DTM				
C507	Date/time/period	M	M	
2005	Date or time or period function code qualifier	M an..3	M an..3	<b>52 Cumulative quantity end date</b>
2380	Date or time or period text	C an..35	M an..35	
2379	Date or time or period format code	C an..3	M an..3	<b>102 CCYYMMDD</b>

**Remark:**

At this date, the cumulated ordered and delivered quantity will be recalculated/set back to 0.

**Example:**

DTM+52:20181201:102'

No = Consecutive segment number  
 MaxOcc = Maximum occurrence of the segment/group  
 Counter = Counter of segment/group within the standard

St = Status  
 EDIFACT: M=Mandatory, C=Conditional  
 User specific: R=Required, O=Optional, D=Dependent,  
 A=Advised, N=Not used



Counter	No	Tag	St	MaxOcc	Level	Name
	0580	<b>SG16</b>	R	99	3	Last delivery
	0590	<b>QTY</b>	M	1	3	Last received quantity

Standard			Implementation	
Tag	Name	St Format	St Format	Usage / Remark
QTY				
C186	Quantity details	M	M	
6063	Quantity type code qualifier	M an..3	M an..3	<b>48 Received quantity</b>
6060	Quantity	M an..35	M an..35	Last received quantity
6411	Measurement unit code	C an..8	R an..8	Code specifying the unit of measurement, use UN/ECE Recommendation 20, Common code <b>C62 one</b> <b>KGM kilogram</b> <b>KMT kilometre</b> <b>LTR litre</b> <b>MTK square metre</b> <b>MTQ cubic metre</b> <b>MTR metre</b> <b>PCE piece</b> <b>SET set</b> <b>TNE tonne (metric ton)</b>

**Remark:**  
self explanatory

**Example:**  
QTY+48:5:C62'

No = Consecutive segment number  
 MaxOcc = Maximum occurrence of the segment/group  
 Counter = Counter of segment/group within the standard

St = Status  
 EDIFACT: M=Mandatory, C=Conditional  
 User specific: R=Required, O=Optional, D=Dependent,  
 A=Advised, N=Not used



Counter	No	Tag	St	MaxOcc	Level	Name
	0580	<b>SG16</b>	R	99	3	Last delivery
	0600	31 <b>DTM</b>	M	2	4	Last delivery date

Standard			Implementation	
Tag	Name	St Format	St Format	Usage / Remark
DTM				
C507	Date/time/period	M	M	
2005	Date or time or period function code qualifier	M an..3	M an..3	<b>50 Goods receipt date/time</b>
2380	Date or time or period text	C an..35	M an..35	Last delivery date
2379	Date or time or period format code	C an..3	M an..3	<b>102 CCYYMMDD</b>

**Remark:**  
The delivery date of the last physical delivery.

**Example:**  
DTM+50:20180102:102'

No = Consecutive segment number  
MaxOcc = Maximum occurrence of the segment/group  
Counter = Counter of segment/group within the standard

St = Status  
EDIFACT: M=Mandatory, C=Conditional  
User specific: R=Required, O=Optional, D=Dependent,  
A=Advised, N=Not used



Counter	No	Tag	St	MaxOcc	Level	Name
	0610	<b>SG17</b>	R	99	4	Last dispatch advice
	0620	32 <b>RFF</b>	M	1	4	Last dispatch advice number

Standard			Implementation	
Tag	Name	St Format	St Format	Usage / Remark
RFF				
C506	Reference	M	M	
1153	Reference code qualifier	M an..3	M an..3	<b>AAU Despatch note document identifier</b>
1154	Reference identifier	C an..70	M an..70	Last dispatch advice number
1156	Document line identifier	C an..6	N	Not used
4000	Reference version identifier	C an..35	N	Not used
1060	Revision identifier	C an..6	N	Not used

**Remark:**

self explanatory

**Example:**

RFF+AAU:LS12345'

No = Consecutive segment number  
 MaxOcc = Maximum occurrence of the segment/group  
 Counter = Counter of segment/group within the standard

St = Status  
 EDIFACT: M=Mandatory, C=Conditional  
 User specific: R=Required, O=Optional, D=Dependent,  
 A=Advised, N=Not used



Counter	No	Tag	St	MaxOcc	Level	Name
0610		<b>SG17</b>	R	99	4	Last dispatch advice
0630	33	<b>DTM</b>	C	9	5	Last dispatch advice date

Standard			Implementation	
Tag	Name	St Format	St Format	Usage / Remark
DTM				
C507	Date/time/period	M	M	
2005	Date or time or period function code qualifier	M an..3	M an..3	<b>171 Reference date/time</b>
2380	Date or time or period text	C an..35	M an..35	Last dispatch advice date
2379	Date or time or period format code	C an..3	M an..3	<b>102 CCYYMMDD</b>

**Remark:**

The receiving date of the last dispatch advice.

**Example:**

DTM+171:20171226:102'

No = Consecutive segment number  
 MaxOcc = Maximum occurrence of the segment/group  
 Counter = Counter of segment/group within the standard

St = Status  
 EDIFACT: M=Mandatory, C=Conditional  
 User specific: R=Required, O=Optional, D=Dependent,  
 A=Advised, N=Not used



Counter	No	Tag	St	MaxOcc	Level	Name
0640		<b>SG18</b>	M	999	3	Scheduling data
0650	34	<b>SCC</b>	M	1	3	Schedule type

Standard			Implementation	
Tag	Name	St Format	St Format	Usage / Remark
SCC				
4017	Delivery plan commitment level code	M an..3	M an..3	<p><b>1 Firm</b> A firm schedule has to be delivered on the requested delivery date. SCC+1 represents "Zone 1 (frozen zone)/Fixierungszeitraum 1" in the scheduling agreement signed by HORSCH and the supplier.</p> <p><b>2 Commitment for manufacturing and material</b> Confirmed for manufacturing SCC+2 represents "Zone 2 (trade-off zone)/Fixierungszeitraum 2" in the scheduling agreement signed by HORSCH and the supplier.</p> <p><b>3 Commitment for material</b> Confirmed for material</p> <p><b>4 Planning/forecast</b> Planning/forecast SCC+4 represents "Zone 3 (trade-off zone)/Fixierungszeitraum 3" in the scheduling agreement signed by HORSCH and the supplier.</p>
4493	Delivery instruction code	C an..3	N	Not used
C329	Pattern description	C	N	
2013	Frequency code	C an..3	N	Not used
2015	Despatch pattern code	C an..3	N	Not used
2017	Despatch pattern timing code	C an..3	N	Not used

**Remark:**  
Describes if the schedule line is a firm line to be delivered or for planing purposes.

**Example:**  
SCC+1'

No = Consecutive segment number  
MaxOcc = Maximum occurrence of the segment/group  
Counter = Counter of segment/group within the standard

St = Status  
EDIFACT: M=Mandatory, C=Conditional  
User specific: R=Required, O=Optional, D=Dependent,  
A=Advised, N=Not used



Counter	No	Tag	St	MaxOcc	Level	Name
	0660	<b>SG19</b>	M	999	4	Scheduled quantity
	0670	35 <b>QTY</b>	M	1	4	Scheduled quantity

Standard			Implementation	
Tag	Name	St Format	St Format	Usage / Remark
QTY				
C186	Quantity details	M	M	
6063	Quantity type code qualifier	M an..3	M an..3	<b>113 Quantity to be delivered</b>
6060	Quantity	M an..35	M an..35	Quantity to be delivered
6411	Measurement unit code	C an..8	C an..8	Code specifying the unit of measurement, use UN/ECE Recommendation 20, Common code <b>C62 one</b> <b>KGM kilogram</b> <b>KMT kilometre</b> <b>LTR litre</b> <b>MTK square metre</b> <b>MTQ cubic metre</b> <b>MTR metre</b> <b>PCE piece</b> <b>SET set</b> <b>TNE tonne (metric ton)</b>

**Remark:**  
self explanatory

**Example:**  
QTY+113:5:C62'

No = Consecutive segment number  
 MaxOcc = Maximum occurrence of the segment/group  
 Counter = Counter of segment/group within the standard

St = Status  
 EDIFACT: M=Mandatory, C=Conditional  
 User specific: R=Required, O=Optional, D=Dependent,  
 A=Advised, N=Not used



Counter	No	Tag	St	MaxOcc	Level	Name
0660		<b>SG19</b>	M	999	4	Scheduled quantity
0680	36	<b>DTM</b>	M	9	5	Scheduled date(s)

Standard			Implementation	
Tag	Name	St Format	St Format	Usage / Remark
DTM				
C507	Date/time/period	M	M	
2005	Date or time or period function code qualifier	M an..3	M an..3	<b>2 Delivery date/time, requested</b> <b>63 Delivery date time, last</b> <b>64 Delivery date/time, earliest</b>
2380	Date or time or period text	C an..35	M an..35	Scheduled date
2379	Date or time or period format code	C an..3	M an..3	<b>102 CCYYMMDD</b>

**Remark:**  
self explanatory

**Example:**  
DTM+2:20180110:102'

No = Consecutive segment number  
MaxOcc = Maximum occurrence of the segment/group  
Counter = Counter of segment/group within the standard

St = Status  
EDIFACT: M=Mandatory, C=Conditional  
User specific: R=Required, O=Optional, D=Dependent,  
A=Advised, N=Not used





Counter	No	Tag	St	MaxOcc	Level	Name
	0660	<b>SG19</b>	C	999	4	Cumulative scheduled quantity
	0670	<b>QTY</b>	M	1	4	Cumulative scheduled quantity

Standard			Implementation	
Tag	Name	St Format	St Format	Usage / Remark
QTY				
C186	Quantity details	M	M	
6063	Quantity type code qualifier	M an..3	M an..3	<b>78 Cumulative quantity scheduled</b>
6060	Quantity	M an..35	M an..35	Cumulative scheduled quantity
6411	Measurement unit code	C an..8	R an..8	Code specifying the unit of measurement, use UN/ECE Recommendation 20, Common code <b>C62 one</b> <b>KGM kilogram</b> <b>KMT kilometre</b> <b>LTR litre</b> <b>MTK square metre</b> <b>MTQ cubic metre</b> <b>MTR metre</b> <b>PCE piece</b> <b>SET set</b> <b>TNE tonne (metric ton)</b>

**Remark:**

**Example:**

QTY+78:15:PCE'

No = Consecutive segment number  
 MaxOcc = Maximum occurrence of the segment/group  
 Counter = Counter of segment/group within the standard

St = Status  
 EDIFACT: M=Mandatory, C=Conditional  
 User specific: R=Required, O=Optional, D=Dependent,  
 A=Advised, N=Not used



Counter	No	Tag	St	MaxOcc	Level	Name
1110	38	<b>UNT</b>	M	1	0	Message trailer

Standard			Implementation	
Tag	Name	St Format	St Format	Usage / Remark
UNT				
0074	Number of segments in the message	M n..6	M n..6	
0062	Message reference number	M an..14	M an..14	

**Remark:**

**Example:**

UNT+36+9876'

No = Consecutive segment number  
 MaxOcc = Maximum occurrence of the segment/group  
 Counter = Counter of segment/group within the standard

St = Status  
 EDIFACT: M=Mandatory, C=Conditional  
 User specific: R=Required, O=Optional, D=Dependent,  
 A=Advised, N=Not used



Counter	No	Tag	St	MaxOcc	Level	Name
0000	39	<b>UNZ</b>	M	1	0	Interchange trailer

Standard			Implementation	
Tag	Name	St Format	St Format	Usage / Remark
UNZ				
0036	Interchange control count	M n..6	M n..6	
0020	Interchange control reference	M an..14	M an..14	

**Remark:**

**Example:**

UNZ+1+1234'

No = Consecutive segment number  
 MaxOcc = Maximum occurrence of the segment/group  
 Counter = Counter of segment/group within the standard

St = Status  
 EDIFACT: M=Mandatory, C=Conditional  
 User specific: R=Required, O=Optional, D=Dependent,  
 A=Advised, N=Not used