



Message Implementation Guideline

## HORSCH DESADV

based on

### **DESADV**

Despatch advice message

### **UN D.07A S3**

Version: D07A  
Variant: 1.0  
Issue date: 1/27/2018  
Author: ecosio GmbH

1 Message Structure.....	2
2 Branching Diagram .....	4
3 Segments .....	9



**Structure / Table of Contents**

Counter	No	Tag	St	MaxOcc	Level	Content
0000	1	UNA	C	1	0	Service string advice
0000	2	UNB	M	1	0	Interchange header
0010	3	UNH	M	1	0	Message header
0020	4	BGM	M	1	0	Beginning of message
0030	5	DTM	C	10	1	Date/time/period
0030	6	DTM	C	10	1	Date/time/period
0030	7	DTM	C	10	1	Date/time/period
0050	8	MEA	R	5	1	Measurements
0050	9	MEA	R	5	1	Measurements
0050	10	MEA	R	5	1	Measurements
0080		<b>SG1</b>	C	99	1	RFF
0090	11	RFF	M	1	1	Reference
0110		<b>SG2</b>	C	99	1	NAD-SG3-SG4
0120	12	NAD	M	1	1	Name and address
0140		<b>SG3</b>	C	99	2	RFF
0150	13	RFF	M	1	2	Reference
0170		<b>SG4</b>	C	10	2	CTA-COM
0180	14	CTA	M	1	2	Contact information
0190	15	COM	C	5	3	Communication contact
0110		<b>SG2</b>	C	99	1	NAD-LOC-LOC-SG3
0120	16	NAD	M	1	1	Name and address
0130	17	LOC	C	10	2	Place/location identification
0130	18	LOC	C	10	2	Place/location identification
0140		<b>SG3</b>	C	99	2	RFF
0150	19	RFF	M	1	2	Reference
0110		<b>SG2</b>	C	99	1	NAD
0120	20	NAD	M	1	1	Name and address
0200		<b>SG5</b>	C	10	1	TOD
0210	21	TOD	M	1	1	Terms of delivery or transport
0390		<b>SG10</b>	C	9999	1	CPS-SG11-SG17
0400	22	CPS	M	1	1	Consignment packing sequence
0430		<b>SG11</b>	C	9999	2	PAC-QTY
0440	23	PAC	M	1	2	Package
0460	24	QTY	C	10	3	Quantity
0650		<b>SG17</b>	C	9999	2	LIN-PIA-IMD-IMD-QTY-QTY-SG18
0660	25	LIN	M	1	2	Line item
0670	26	PIA	C	10	3	Additional product id
0680	27	IMD	C	99	3	Item description

Counter = Counter of segment/group within the standard  
 No = Consecutive segment number  
 MaxOcc = Maximum occurrence of the segment/group

St = Status  
 EDIFACT: M=Mandatory, C=Conditional  
 User specific: R=Required, O=Optional, D=Dependent,  
 A=Advised, N=Not used



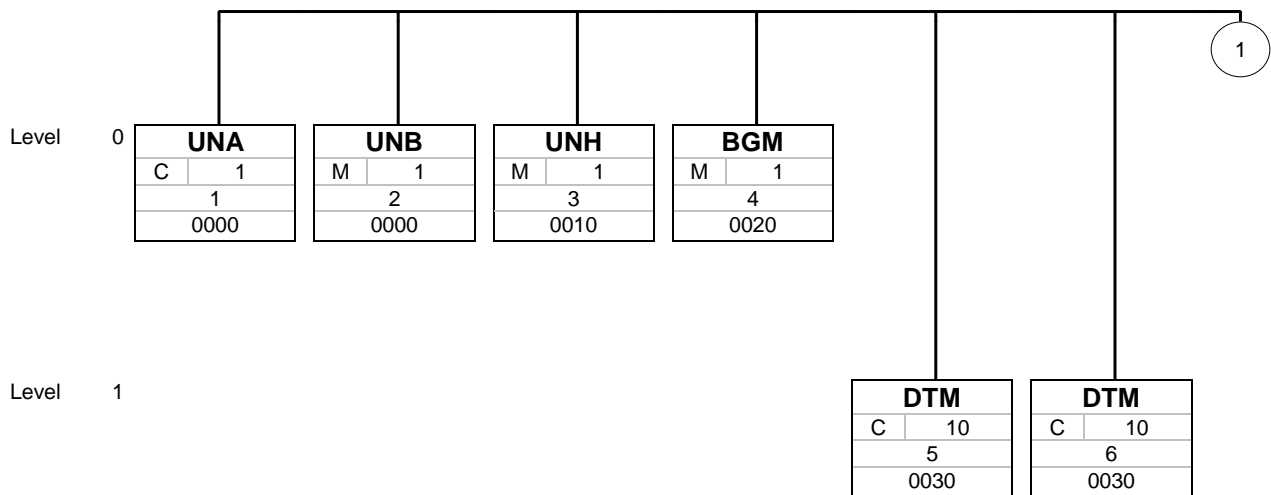
Counter	No	Tag	St	MaxOcc	Level	Content
0680	28	<b>IMD</b>	C	99	3	Item description
0700	29	<b>QTY</b>	C	10	3	Quantity
0700	30	<b>QTY</b>	C	10	3	Quantity
0830		<b>SG18</b>	R	99	3	RFF-DTM
0840	31	<b>RFF</b>	M	1	3	Reference
0870	32	<b>DTM</b>	C	1	4	Date/time/period
1160	33	<b>UNT</b>	M	1	0	Message trailer
0000	34	<b>UNZ</b>	M	1	0	Interchange trailer

Counter = Counter of segment/group within the standard  
 No = Consecutive segment number  
 MaxOcc = Maximum occurrence of the segment/group

St = Status  
 EDIFACT: M=Mandatory, C=Conditional  
 User specific: R=Required, O=Optional, D=Dependent,  
 A=Advised, N=Not used

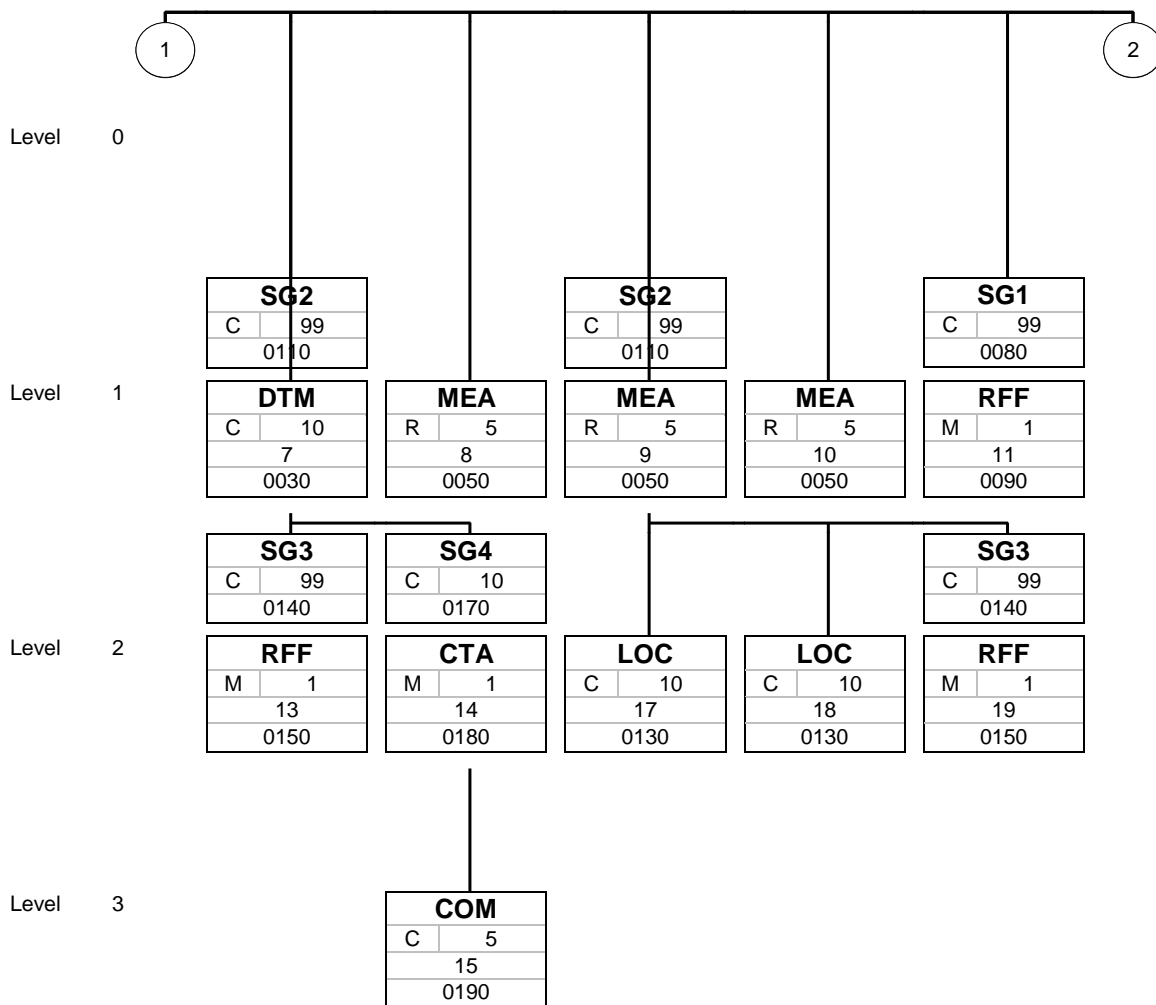


**Branching Diagram of Used Segments/Groups**



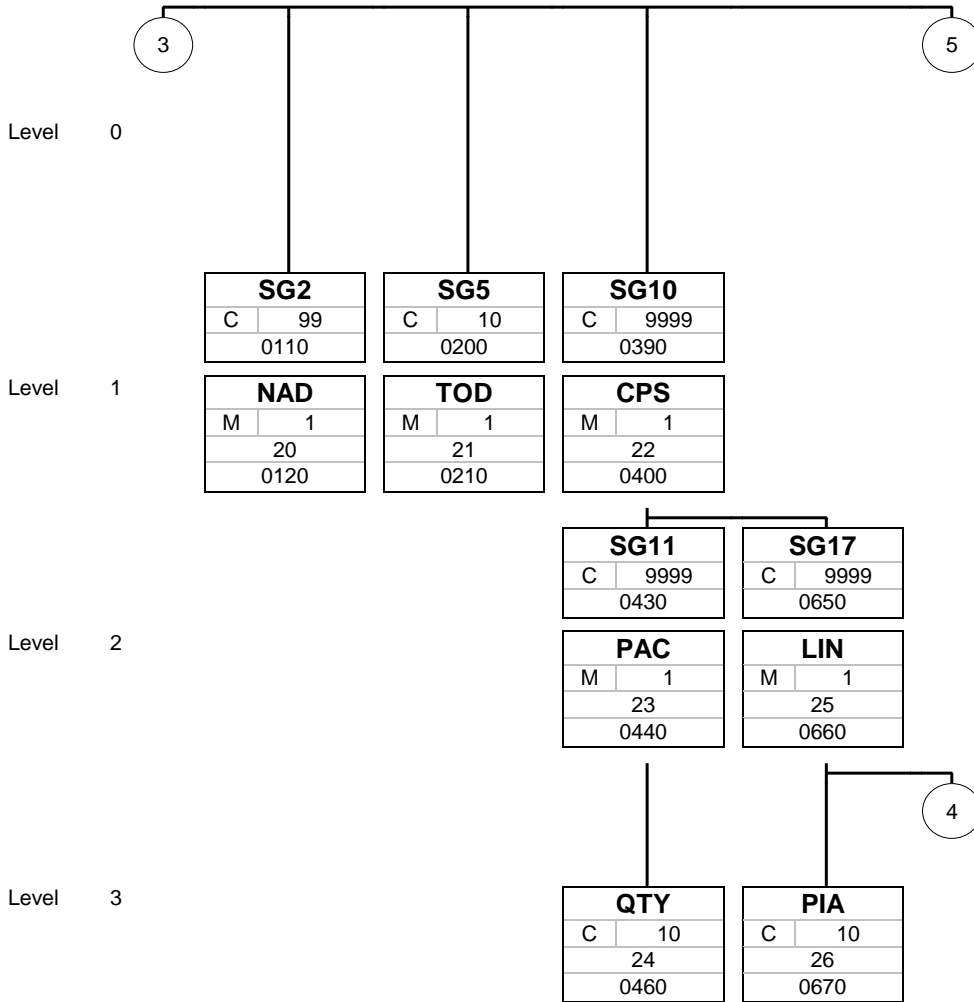
Tag
St MaxOcc
No
Counter

Tag = Segment/Group Tag  
 St = Status (M=Mandatory, C=Conditional, R=Required, O=Optional, A=Advised, D=Dependent)  
 MaxOcc = Maximum occurrence of the segment/group  
 No = Consecutive segment number  
 Counter = Counter of segment/group within the standard



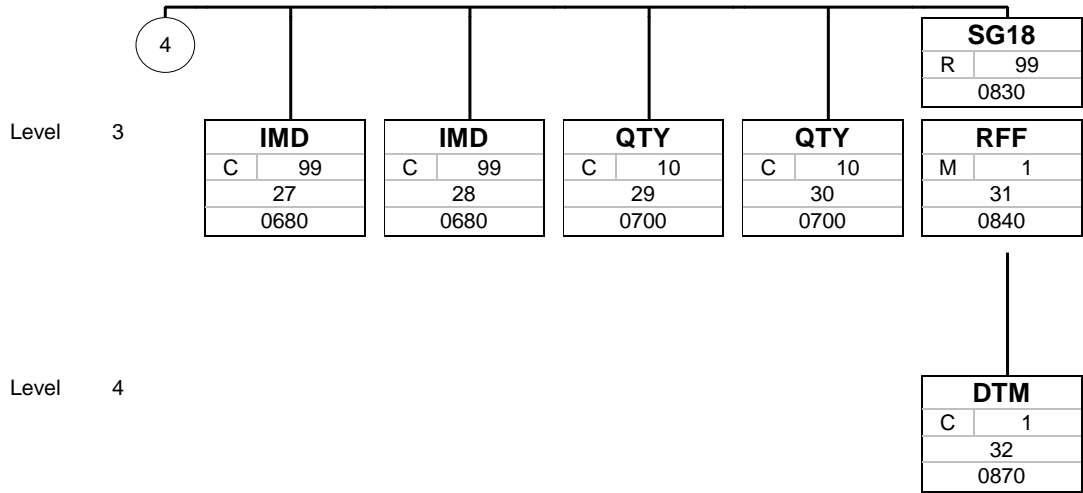
Tag
St MaxOcc
No
Counter

Tag = Segment/Group Tag  
 St = Status (M=Mandatory, C=Conditional, R=Required, O=Optional, A=Advised, D=Dependent)  
 MaxOcc = Maximum occurrence of the segment/group  
 No = Consecutive segment number  
 Counter = Counter of segment/group within the standard



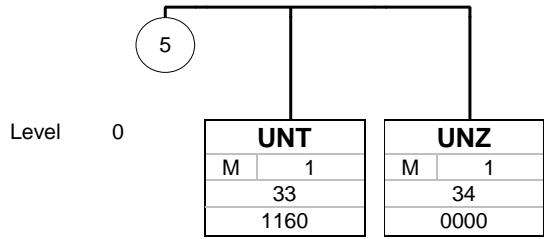
Tag
St MaxOcc
No
Counter

Tag = Segment/Group Tag  
 St = Status (M=Mandatory, C=Conditional, R=Required, O=Optional, A=Advised, D=Dependent)  
 MaxOcc = Maximum occurrence of the segment/group  
 No = Consecutive segment number  
 Counter = Counter of segment/group within the standard



Tag
St MaxOcc
No
Counter

Tag = Segment/Group Tag  
 St = Status (M=Mandatory, C=Conditional, R=Required, O=Optional, A=Advised, D=Dependent)  
 MaxOcc = Maximum occurrence of the segment/group  
 No = Consecutive segment number  
 Counter = Counter of segment/group within the standard



Tag
St MaxOcc
No
Counter

Tag = Segment/Group Tag  
 St = Status (M=Mandatory, C=Conditional, R=Required, O=Optional, A=Advised, D=Dependent)  
 MaxOcc = Maximum occurrence of the segment/group  
 No = Consecutive segment number  
 Counter = Counter of segment/group within the standard





**Segments**

Counter	No	Tag	St	MaxOcc	Level	Name
0000	1	<b>UNA</b>	C	1	0	Service string advice

		Standard	Implementation	
Tag	Name	St Format	St Format	Usage / Remark
UNA				
UNA1	Component data element separator	M an1	M an1	Used as a separator between component data elements contained within a composite data element (default value: ":")
UNA2	Data element separator	M an1	M an1	Used to separate two simple or composite data elements (default value: "+")
UNA3	Decimal notation	M an1	M an1	Used to indicate the character used for decimal notation (default value: ".")
UNA4	Release indicator	M an1	M an1	Used to restore any service character to its original specification (value: "?").
UNA5	Reserved for future use	M an1	M an1	(default value: space)
UNA6	Segment terminator	M an1	M an1	Used to indicate the end of segment data (default value: "' '")

**Remark:**  
Provides details about the special characters used in the message.

**Example:**  
UNA:+. ? ' '

No = Consecutive segment number  
MaxOcc = Maximum occurrence of the segment/group  
Counter = Counter of segment/group within the standard

St = Status  
EDIFACT: M=Mandatory, C=Conditional  
User specific: R=Required, O=Optional, D=Dependent,  
A=Advised, N=Not used



Counter	No	Tag	St	MaxOcc	Level	Name
0000	2	<b>UNB</b>	M	1	0	Interchange header

Standard			Implementation	
Tag	Name	St Format	St Format	Usage / Remark
UNB				
S001	Syntax identifier	M	M	
0001	Syntax identifier	M a4	M a4	The encoding of the message. Always ISO-8859-1 <b>UNOC UN/ECE level C</b>
0002	Syntax version number	M n1	M n1	<b>3 Version 3</b>
S002	Interchange sender	M	M	
0004	Sender identification	M an..35	M an..35	Sender of the EDIFACT message. Identified using a Global Location Number (GLN), a Dun & Bradstreet Number (DUNS), or a mutually agreed identifier. HORSCH strongly encourages the use of GLN and DUNS numbers.
0007	Partner identification code qualifier	C an..4	R an..4	<b>1 DUNS (Data Universal Numbering System)</b> <b>14 GS1</b> <b>ZZZ Mutually defined</b>
0008	Address for reverse routing	C an..14	N	Not used
S003	Interchange recipient	M	M	
0010	Recipient identification	M an..35	M an..35	Recipient of the EDIFACT message. Identified using a Global Location Number (GLN), a Dun & Bradstreet Number (DUNS), or a mutually agreed identifier. HORSCH strongly encourages the use of GLN and DUNS numbers.
0007	Partner identification code qualifier	C an..4	R an..4	<b>1 DUNS (Data Universal Numbering System)</b> <b>14 GS1</b> <b>ZZZ Mutually defined</b>
0014	Routing address	C an..14	N	Not used
S004	Date/time of preparation	M	M	
0017	Date of preparation	M n6	M n6	YYMMDD
0019	Time of preparation	M n4	M n4	HHMM
0020	Interchange control reference	M an..14	M an..14	Unique reference identifying the interchange. Created by the sender's system. In order to allow for an easy lookup of interchange numbers in case of message disputes, it is encouraged that interchange reference numbers are unique per sender/receiver combination. Usually this means, that auto increment numbers shall be used.
S005	Recipient's reference, password	C	N	
0022	Recipient's reference/password	M an..14	N	Not used
0025	Recipient's reference/password qualifier	C an2	N	Not used
0026	Application reference	C an..14	N	Not used
0029	Processing priority code	C a1	N	Not used
0031	Acknowledgement request	C n1	N	Not used
0032	Communications agreement ID	C an..35	N	Not used
0035	Test indicator	C n1	O n1	If set to 1, it indicates that the given message is a test message and shall not be processed in the production system of the message recipient. <b>1 Interchange is a test</b>

**Remark:**

This segment is used to envelope the interchange, as well as to identify both, the party to whom the interchange is sent and the party who has sent the interchange. The principle of the UNB segment is the same as a physical envelope which covers one or more letters or documents, and which details, both the address where delivery is to take place and the address from where the envelope has come.

**Example:**

No = Consecutive segment number  
 MaxOcc = Maximum occurrence of the segment/group  
 Counter = Counter of segment/group within the standard

St = Status  
 EDIFACT: M=Mandatory, C=Conditional  
 User specific: R=Required, O=Optional, D=Dependent,  
 A=Advised, N=Not used



UNB+UNOC:3+342680824:1+316356880:1+170911:1711+4714+++++1'

No = Consecutive segment number  
MaxOcc = Maximum occurrence of the segment/group  
Counter = Counter of segment/group within the standard

St = Status  
EDIFACT: M=Mandatory, C=Conditional  
User specific: R=Required, O=Optional, D=Dependent,  
A=Advised, N=Not used



Counter	No	Tag	St	MaxOcc	Level	Name
0010	3	<b>UNH</b>	M	1	0	Message header

Standard			Implementation	
Tag	Name	St Format	St Format	Usage / Remark
UNH				
0062	Message reference number	M an..14	M an..14	Sender's unique message reference. Sequence number of the messages in the interchange. DE 0062 in the UNT will be exactly the same. Sender generated.
S009	Message identifier	M	M	
0065	Message type	M an..6	M an..6	<b>DESADV Despatch advice message</b>
0052	Message version number	M an..3	M an..3	<b>D Draft version/UN/EDIFACT Directory</b>
0054	Message release number	M an..3	M an..3	<b>07A Release 2007 - A</b>
0051	Controlling agency	M an..2	M an..2	<b>UN UN/CEFACT</b>
0057	Association assigned code	C an..6	N	Not used
0068	Common access reference	C an..35	N	Not used
S010	Status of the transfer	C	N	
0070	Sequence of transfers	M n..2	N	Not used
0073	First and last transfer	C a1	N	Not used

**Remark:**  
This segment is used to head, identify and specify a message.

**Example:**  
UNH+000848373354+DESADV:D:07A:UN'

Counter	No	Tag	St	MaxOcc	Level	Name
0020	4	<b>BGM</b>	M	1	0	Beginning of message

Standard			Implementation	
Tag	Name	St Format	St Format	Usage / Remark
BGM				
C002	Document/message name	C	C	
1001	Document name code	C an..3	C an..3	<b>351 Despatch advice</b>
1131	Code list identification code	C an..17	N	Not used
3055	Code list responsible agency code	C an..3	N	Not used
1000	Document name	C an..35	N	Not used
C106	Document/message identification	C	C	
1004	Document identifier	C an..35	C an..35	Dispatch advice number assigned by document sender.
1056	Version identifier	C an..9	N	Not used
1060	Revision identifier	C an..6	N	Not used
1225	Message function code	C an..3	C an..3	The message function of the dispatch advice. This element always contains the fixed value '9'. <b>9 Original</b>
4343	Response type code	C an..3	N	Not used

**Remark:**  
This segment is used to indicate the type and function of a message and to transmit the identifying number.

**Example:**  
BGM+351+000848373354+9'

No = Consecutive segment number  
MaxOcc = Maximum occurrence of the segment/group  
Counter = Counter of segment/group within the standard

St = Status  
EDIFACT: M=Mandatory, C=Conditional  
User specific: R=Required, O=Optional, D=Dependent,  
A=Advised, N=Not used



Counter	No	Tag	St	MaxOcc	Level	Name
---------	----	-----	----	--------	-------	------

0030 5 **DTM** C 10 1 Date/time/period

Standard			Implementation	
Tag	Name	St Format	St Format	Usage / Remark
DTM				
C507	Date/time/period	M	M	
2005	Date or time or period function code qualifier	M an..3	M an..3	<b>137 Document issue date time</b>
2380	Date or time or period text	C an..35	R an..35	
2379	Date or time or period format code	C an..3	R an..3	<b>102 CCYYMMDD</b>

**Remark:**  
This segment is used to specify the date of the dispatch advice message.

**Example:**  
DTM+137:20170911:102'

Counter	No	Tag	St	MaxOcc	Level	Name
---------	----	-----	----	--------	-------	------

0030 6 **DTM** C 10 1 Date/time/period

Standard			Implementation	
Tag	Name	St Format	St Format	Usage / Remark
DTM				
C507	Date/time/period	M	M	
2005	Date or time or period function code qualifier	M an..3	M an..3	<b>11 Despatch date and or time</b>
2380	Date or time or period text	C an..35	R an..35	
2379	Date or time or period format code	C an..3	R an..3	<b>102 CCYYMMDD</b>

**Remark:**  
This segment is used to specify the date, when the items have been dispatched by the sender.

**Example:**  
DTM+11:20170911:102'

No = Consecutive segment number  
MaxOcc = Maximum occurrence of the segment/group  
Counter = Counter of segment/group within the standard

St = Status  
EDIFACT: M=Mandatory, C=Conditional  
User specific: R=Required, O=Optional, D=Dependent, A=Advised, N=Not used



Counter	No	Tag	St	MaxOcc	Level	Name
---------	----	-----	----	--------	-------	------

0030 7 **DTM** C 10 1 Date/time/period

Standard			Implementation	
Tag	Name	St Format	St Format	Usage / Remark
DTM				
C507	Date/time/period	M	M	
2005	Date or time or period function code qualifier	M an..3	M an..3	<b>132 Transport means arrival date time, estimated</b>
2380	Date or time or period text	C an..35	R an..35	
2379	Date or time or period format code	C an..3	R an..3	<b>102 CCYYMMDD</b>

**Remark:**

This segment is used to specify the estimated time of arrival at the recipient's side.

**Example:**

DTM+132:20170912:102'

Counter	No	Tag	St	MaxOcc	Level	Name
---------	----	-----	----	--------	-------	------

0050 8 **MEA** R 5 1 Measurements

Standard			Implementation	
Tag	Name	St Format	St Format	Usage / Remark
MEA				
6311	Measurement purpose code qualifier	M an..3	M an..3	<b>AAX Consignment measurement</b>
C502	Measurement details	C	C	
6313	Measured attribute code	C an..3	R an..3	<b>AAD Consignment gross weight</b>
6321	Measurement significance code	C an..3	N	Not used
6155	Non-discrete measurement name code	C an..17	N	Not used
6154	Non-discrete measurement name	C an..70	N	Not used
C174	Value/range	C	C	
6411	Measurement unit code	M an..8	M an..8	<b>KGM kilogram</b>
6314	Measure	C an..18	R an..18	The actual weight in kilogram.
6162	Range minimum quantity	C n..18	N	Not used
6152	Range maximum quantity	C n..18	N	Not used
6432	Significant digits quantity	C n..2	N	Not used
7383	Surface or layer code	C an..3	N	Not used

**Remark:**

The gross weight of the delivery. The gross weight includes all packaging items, but excludes transport equipment.

**Example:**

MEA+AAX+AAD+KGM:440'

No = Consecutive segment number  
 MaxOcc = Maximum occurrence of the segment/group  
 Counter = Counter of segment/group within the standard

St = Status  
 EDIFACT: M=Mandatory, C=Conditional  
 User specific: R=Required, O=Optional, D=Dependent,  
 A=Advised, N=Not used

Counter	No	Tag	St	MaxOcc	Level	Name
0050	9	<b>MEA</b>	R	5	1	Measurements

Standard			Implementation	
Tag	Name	St Format	St Format	Usage / Remark
MEA				
6311	Measurement purpose code qualifier	M an..3	M an..3	<b>AAX Consignment measurement</b>
C502	Measurement details	C	C	
6313	Measured attribute code	C an..3	R an..3	<b>AAL Net weight</b>
6321	Measurement significance code	C an..3	N	Not used
6155	Non-discrete measurement name code	C an..17	N	Not used
6154	Non-discrete measurement name	C an..70	N	Not used
C174	Value/range	C	C	
6411	Measurement unit code	M an..8	M an..8	<b>KGM kilogram</b>
6314	Measure	C an..18	R an..18	The actual weight in kilogram.
6162	Range minimum quantity	C n..18	N	Not used
6152	Range maximum quantity	C n..18	N	Not used
6432	Significant digits quantity	C n..2	N	Not used
7383	Surface or layer code	C an..3	N	Not used

**Remark:**

The net weight of the delivery. The net weight excludes all packaging items and transport equipment.

**Example:**

MEA+AAX+AAL+KGM: 400'

Counter	No	Tag	St	MaxOcc	Level	Name
0050	10	<b>MEA</b>	R	5	1	Measurements

Standard			Implementation	
Tag	Name	St Format	St Format	Usage / Remark
MEA				
6311	Measurement purpose code qualifier	M an..3	M an..3	<b>AAE Measurement</b>
C502	Measurement details	C	N	
6313	Measured attribute code	C an..3	N	Not used
6321	Measurement significance code	C an..3	N	Not used
6155	Non-discrete measurement name code	C an..17	N	Not used
6154	Non-discrete measurement name	C an..70	N	Not used
C174	Value/range	C	C	
6411	Measurement unit code	M an..8	M an..8	<b>PCE piece</b>
6314	Measure	C an..18	R an..18	The actual number of loading units.
6162	Range minimum quantity	C n..18	N	Not used
6152	Range maximum quantity	C n..18	N	Not used
6432	Significant digits quantity	C n..2	N	Not used
7383	Surface or layer code	C an..3	N	Not used

**Remark:**

No = Consecutive segment number  
 MaxOcc = Maximum occurrence of the segment/group  
 Counter = Counter of segment/group within the standard

St = Status  
 EDIFACT: M=Mandatory, C=Conditional  
 User specific: R=Required, O=Optional, D=Dependent,  
 A=Advised, N=Not used



The number of loading units. A loading unit is a unit, which may be moved during a transport, e.g., a pallet in case of a large delivery or a box in case of a small delivery, where no pallets are used.

**Example:**

MEA+AAE++PCE:2'

No = Consecutive segment number  
MaxOcc = Maximum occurrence of the segment/group  
Counter = Counter of segment/group within the standard

St = Status  
EDIFACT: M=Mandatory, C=Conditional  
User specific: R=Required, O=Optional, D=Dependent,  
A=Advised, N=Not used





Counter	No	Tag	St	MaxOcc	Level	Name
0080		<b>SG1</b>	C	99	1	<b>RFF</b>
0090	11	<b>RFF</b>	M	1	1	<b>Reference</b>

Standard			Implementation	
Tag	Name	St Format	St Format	Usage / Remark
RFF				
C506	Reference	M	M	
1153	Reference code qualifier	M an..3	M an..3	<b>CRN Transport means journey identifier</b>
1154	Reference identifier	C an..70	R an..70	The number of the shipment.
1156	Document line identifier	C an..6	N	Not used
1056	Version identifier	C an..9	N	Not used
1060	Revision identifier	C an..6	N	Not used

**Remark:**

The number of the shipment, assigned by the sender. If no dedicated shipment number is maintained at the sender's side, the dispatch advice number may be used instead in this element.

**Example:**

RFF+CRN:473965'

Counter	No	Tag	St	MaxOcc	Level	Name
0110		<b>SG2</b>	C	99	1	<b>NAD-SG3-SG4</b>
0120	12	<b>NAD</b>	M	1	1	<b>Name and address</b>

Standard			Implementation	
Tag	Name	St Format	St Format	Usage / Remark
NAD				
3035	Party function code qualifier	M an..3	M an..3	<b>SF Ship from</b>
C082	Party identification details	C	C	
3039	Party identifier	M an..35	M an..35	
1131	Code list identification code	C an..17	N	Not used
3055	Code list responsible agency code	C an..3	R an..3	<b>16 US, D&amp;B (Dun &amp; Bradstreet Corporation)</b> <b>9 GS1</b> <b>ZZZ Mutually defined</b>
C058	Name and address	C	N	
3124	Name and address description	M an..35	N	Not used
3124	Name and address description	C an..35	N	Not used
3124	Name and address description	C an..35	N	Not used
3124	Name and address description	C an..35	N	Not used
3124	Name and address description	C an..35	N	Not used
C080	Party name	C	D	
3036	Party name	M an..35	M an..35	Business partner name
3036	Party name	C an..35	C an..35	Business partner name
3036	Party name	C an..35	N	Not used
3036	Party name	C an..35	N	Not used
3036	Party name	C an..35	N	Not used
3045	Party name format code	C an..3	N	Not used
C059	Street	C	D	
3042	Street and number or post office box identifier	M an..35	M an..35	Building name/number and street

No = Consecutive segment number  
 MaxOcc = Maximum occurrence of the segment/group  
 Counter = Counter of segment/group within the standard

St = Status  
 EDIFACT: M=Mandatory, C=Conditional  
 User specific: R=Required, O=Optional, D=Dependent,  
 A=Advised, N=Not used

3042	Street and number or post office box identifier	C an..35	C an..35	Building name/number and street
3042	Street and number or post office box identifier	C an..35	N	Not used
3042	Street and number or post office box identifier	C an..35	N	Not used
3164	City name	C an..35	D an..35	City name of the business partner
C819	Country subdivision details	C	N	
3229	Country subdivision identifier	C an..9	N	Not used
1131	Code list identification code	C an..17	N	Not used
3055	Code list responsible agency code	C an..3	N	Not used
3228	Country subdivision name	C an..70	N	Not used
3251	Postal identification code	C an..17	D an..17	Postal code of the business partner
3207	Country identifier	C an..3	D an..3	Used to provide the country of the business partner. ISO 3166 2-Alpha Codes shall be used.

**Remark:**

Used to provide details about the ship-from party, i.e., the supplier.

**Example:**

NAD+SF+342680824::16++FRANK Walz- und Schmiedetechnik: GmbH+Frankstr. 1+Hatzfeld (Eder)++35116+DE'

No = Consecutive segment number  
 MaxOcc = Maximum occurrence of the segment/group  
 Counter = Counter of segment/group within the standard

St = Status  
 EDIFACT: M=Mandatory, C=Conditional  
 User specific: R=Required, O=Optional, D=Dependent,  
 A=Advised, N=Not used



Counter	No	Tag	St	MaxOcc	Level	Name
0140		<b>SG3</b>	C	99	2	<b>RFF</b>
0150	13	<b>RFF</b>	M	1	2	<b>Reference</b>

Standard			Implementation	
Tag	Name	St Format	St Format	Usage / Remark
RFF				
C506	Reference	M	M	
1153	Reference code qualifier	M an..3	M an..3	<b>AHM Debtor's reference number</b>
1154	Reference identifier	C an..70	C an..70	
1156	Document line identifier	C an..6	N	Not used
1056	Version identifier	C an..9	N	Not used
1060	Revision identifier	C an..6	N	Not used

**Remark:**

This optional segment is used to specify the debtor's reference number. This is the number, by which the supplier is known at HORSCH's side.

**Example:**

RFF+AHM:47124713'

Counter	No	Tag	St	MaxOcc	Level	Name
0170		<b>SG4</b>	C	10	2	<b>CTA-COM</b>
0180	14	<b>CTA</b>	M	1	2	<b>Contact information</b>

Standard			Implementation	
Tag	Name	St Format	St Format	Usage / Remark
CTA				
3139	Contact function code	C an..3	C an..3	<b>IC Information contact</b>
C056	Contact details	C	C	
3413	Contact identifier	C an..17	N	Not used
3412	Contact name	C an..256	R an..256	The first name and last name of the contact person.

**Remark:**

This segment is used to provide details about the supplier's contact person, who is responsible for the dispatched items.

**Example:**

CTA+IC+:Max Mustermann'

No = Consecutive segment number  
 MaxOcc = Maximum occurrence of the segment/group  
 Counter = Counter of segment/group within the standard

St = Status  
 EDIFACT: M=Mandatory, C=Conditional  
 User specific: R=Required, O=Optional, D=Dependent,  
 A=Advised, N=Not used

Counter	No	Tag	St	MaxOcc	Level	Name
0170		<b>SG4</b>	C	10	2	<b>CTA-COM</b>
0190	15	<b>COM</b>	C	5	3	<b>Communication contact</b>

Standard			Implementation	
Tag	Name	St Format	St Format	Usage / Remark
COM				
C076	Communication contact	M	M	
3148	Communication address identifier	M an..512	M an..512	
3155	Communication means type code	M an..3	M an..3	<b>EM Electronic mail</b> <b>FX Telefax</b> <b>TE Telephone</b>

**Remark:**

The communication details of the contact person.

**Example:**

COM+ (0049) 645293310-0:EM'

COM+ (0049) 645293310-99:FX'

COM+max.mustermann@frank-original.com:EM'

Counter	No	Tag	St	MaxOcc	Level	Name
0110		<b>SG2</b>	C	99	1	<b>NAD-LOC-SG3</b>
0120	16	<b>NAD</b>	M	1	1	<b>Name and address</b>

Standard			Implementation	
Tag	Name	St Format	St Format	Usage / Remark
NAD				
3035	Party function code qualifier	M an..3	M an..3	<b>ST Ship to</b>
C082	Party identification details	C	C	
3039	Party identifier	M an..35	M an..35	
1131	Code list identification code	C an..17	N	Not used
3055	Code list responsible agency code	C an..3	R an..3	<b>16 US, D&amp;B (Dun &amp; Bradstreet Corporation)</b> <b>9 GS1</b> <b>ZZZ Mutually defined</b>
C058	Name and address	C	N	
3124	Name and address description	M an..35	N	Not used
3124	Name and address description	C an..35	N	Not used
3124	Name and address description	C an..35	N	Not used
3124	Name and address description	C an..35	N	Not used
3124	Name and address description	C an..35	N	Not used
C080	Party name	C	D	
3036	Party name	M an..35	M an..35	Business partner name
3036	Party name	C an..35	C an..35	Business partner name
3036	Party name	C an..35	N	Not used
3036	Party name	C an..35	N	Not used
3036	Party name	C an..35	N	Not used
3045	Party name format code	C an..3	N	Not used
C059	Street	C	D	

No = Consecutive segment number  
MaxOcc = Maximum occurrence of the segment/group  
Counter = Counter of segment/group within the standard

St = Status  
EDIFACT: M=Mandatory, C=Conditional  
User specific: R=Required, O=Optional, D=Dependent,  
A=Advised, N=Not used

3042	Street and number or post office box identifier	M an..35	M an..35	Building name/number and street
3042	Street and number or post office box identifier	C an..35	C an..35	Building name/number and street
3042	Street and number or post office box identifier	C an..35	N	Not used
3042	Street and number or post office box identifier	C an..35	N	Not used
3164	City name	C an..35	D an..35	City name of the business partner
C819	Country subdivision details	C	N	
3229	Country subdivision identifier	C an..9	N	Not used
1131	Code list identification code	C an..17	N	Not used
3055	Code list responsible agency code	C an..3	N	Not used
3228	Country subdivision name	C an..70	N	Not used
3251	Postal identification code	C an..17	D an..17	Postal code of the business partner
3207	Country identifier	C an..3	D an..3	Used to provide the country of the business partner. ISO 3166 2-Alpha Codes shall be used.

**Remark:**

Used to provide details about the ship-from party, i.e., the supplier.

**Example:**

NAD+ST+316356880::16++HORSCH Maschinen GmbH+Sitzenhof 1+Schwandorf++92421+DE'

No = Consecutive segment number  
 MaxOcc = Maximum occurrence of the segment/group  
 Counter = Counter of segment/group within the standard

St = Status  
 EDIFACT: M=Mandatory, C=Conditional  
 User specific: R=Required, O=Optional, D=Dependent,  
 A=Advised, N=Not used



Counter	No	Tag	St	MaxOcc	Level	Name
0110		<b>SG2</b>	C	99	1	<b>NAD-LOC-SG3</b>
0130	17	<b>LOC</b>	C	10	2	<b>Place/location identification</b>

Standard			Implementation	
Tag	Name	St Format	St Format	Usage / Remark
LOC				
3227	Location function code qualifier	M an..3	R an..3	<b>7 Place of delivery</b>
C517	Location identification	C	C	
3225	Location identifier	C an..35	R an..35	Location identifier.
1131	Code list identification code	C an..17	N	Not used
3055	Code list responsible agency code	C an..3	C an..3	<b>92 Assigned by buyer or buyer's agent</b>
3224	Location name	C an..256	N	Not used
C519	Related location one identification	C	N	
3223	First related location identifier	C an..35	N	Not used
1131	Code list identification code	C an..17	N	Not used
3055	Code list responsible agency code	C an..3	N	Not used
3222	First related location name	C an..70	N	Not used
C553	Related location two identification	C	N	
3233	Second related location identifier	C an..35	N	Not used
1131	Code list identification code	C an..17	N	Not used
3055	Code list responsible agency code	C an..3	N	Not used
3232	Second related location name	C an..70	N	Not used
5479	Relation code	C an..3	N	Not used

**Remark:**

Used to provide the HORSCH factory code.

**Example:**

LOC+7+2000:::92'

Counter	No	Tag	St	MaxOcc	Level	Name
0110		<b>SG2</b>	C	99	1	<b>NAD-LOC-SG3</b>
0130	18	<b>LOC</b>	C	10	2	<b>Place/location identification</b>

Standard			Implementation	
Tag	Name	St Format	St Format	Usage / Remark
LOC				
3227	Location function code qualifier	M an..3	R an..3	<b>11 Place of discharge</b>
C517	Location identification	C	C	
3225	Location identifier	C an..35	R an..35	Location identifier.
1131	Code list identification code	C an..17	N	Not used
3055	Code list responsible agency code	C an..3	R an..3	<b>92 Assigned by buyer or buyer's agent</b>
3224	Location name	C an..256	N	Not used

No = Consecutive segment number  
 MaxOcc = Maximum occurrence of the segment/group  
 Counter = Counter of segment/group within the standard

St = Status  
 EDIFACT: M=Mandatory, C=Conditional  
 User specific: R=Required, O=Optional, D=Dependent,  
 A=Advised, N=Not used

C519	Related location one identification	C	N	
3223	First related location identifier	C an..35	N	Not used
1131	Code list identification code	C an..17	N	Not used
3055	Code list responsible agency code	C an..3	N	Not used
3222	First related location name	C an..70	N	Not used
C553	Related location two identification	C	N	
3233	Second related location identifier	C an..35	N	Not used
1131	Code list identification code	C an..17	N	Not used
3055	Code list responsible agency code	C an..3	N	Not used
3232	Second related location name	C an..70	N	Not used
5479	Relation code	C an..3	N	Not used

**Remark:**

Used to provide the HORSCH storage location.

**Example:**

LOC+11+1000:::92'

No = Consecutive segment number  
 MaxOcc = Maximum occurrence of the segment/group  
 Counter = Counter of segment/group within the standard

St = Status  
 EDIFACT: M=Mandatory, C=Conditional  
 User specific: R=Required, O=Optional, D=Dependent,  
 A=Advised, N=Not used



Counter	No	Tag	St	MaxOcc	Level	Name
0140		<b>SG3</b>	C	99	2	<b>RFF</b>
0150	19	<b>RFF</b>	M	1	2	<b>Reference</b>

Standard			Implementation	
Tag	Name	St Format	St Format	Usage / Remark
RFF				
C506	Reference	M	M	
1153	Reference code qualifier	M an..3	M an..3	<b>AHL Creditor's reference number</b>
1154	Reference identifier	C an..70	C an..70	
1156	Document line identifier	C an..6	N	Not used
1056	Version identifier	C an..9	N	Not used
1060	Revision identifier	C an..6	N	Not used

**Remark:**

This optional segment is used to specify the creditor's reference number. This is the number, by which HORSCH is known at the supplier's side.

**Example:**

RFF+ AHL: 47114712'

Counter	No	Tag	St	MaxOcc	Level	Name
0110		<b>SG2</b>	C	99	1	<b>NAD</b>
0120	20	<b>NAD</b>	M	1	1	<b>Name and address</b>

Standard			Implementation	
Tag	Name	St Format	St Format	Usage / Remark
NAD				
3035	Party function code qualifier	M an..3	M an..3	<b>CA Carrier</b>
C082	Party identification details	C	C	
3039	Party identifier	M an..35	M an..35	
1131	Code list identification code	C an..17	N	Not used
3055	Code list responsible agency code	C an..3	R an..3	<b>16 US, D&amp;B (Dun &amp; Bradstreet Corporation)</b> <b>9 GS1</b> <b>ZZZ Mutually defined</b>
C058	Name and address	C	N	
3124	Name and address description	M an..35	N	Not used
3124	Name and address description	C an..35	N	Not used
3124	Name and address description	C an..35	N	Not used
3124	Name and address description	C an..35	N	Not used
3124	Name and address description	C an..35	N	Not used
C080	Party name	C	D	
3036	Party name	M an..35	M an..35	Business partner name
3036	Party name	C an..35	C an..35	Business partner name
3036	Party name	C an..35	N	Not used
3036	Party name	C an..35	N	Not used
3036	Party name	C an..35	N	Not used
3045	Party name format code	C an..3	N	Not used
C059	Street	C	D	
3042	Street and number or post office box identifier	M an..35	M an..35	Building name/number and street

No = Consecutive segment number  
 MaxOcc = Maximum occurrence of the segment/group  
 Counter = Counter of segment/group within the standard

St = Status  
 EDIFACT: M=Mandatory, C=Conditional  
 User specific: R=Required, O=Optional, D=Dependent,  
 A=Advised, N=Not used



3042	Street and number or post office box identifier	C an..35	C an..35	Building name/number and street
3042	Street and number or post office box identifier	C an..35	N	Not used
3042	Street and number or post office box identifier	C an..35	N	Not used
3164	City name	C an..35	D an..35	City name of the business partner
C819	Country subdivision details	C	N	
3229	Country subdivision identifier	C an..9	N	Not used
1131	Code list identification code	C an..17	N	Not used
3055	Code list responsible agency code	C an..3	N	Not used
3228	Country subdivision name	C an..70	N	Not used
3251	Postal identification code	C an..17	D an..17	Postal code of the business partner
3207	Country identifier	C an..3	D an..3	Used to provide the country of the business partner. ISO 3166 2-Alpha Codes shall be used.

**Remark:**

Used to provide details about the freight forwarder, i.e., the logistic service provider.

**Example:**

NAD+CA+542541254::16++Spedition Fuchs GmbH+Ingolstädter Str. 3+Nürnberg++90402+DE'

No = Consecutive segment number  
 MaxOcc = Maximum occurrence of the segment/group  
 Counter = Counter of segment/group within the standard

St = Status  
 EDIFACT: M=Mandatory, C=Conditional  
 User specific: R=Required, O=Optional, D=Dependent,  
 A=Advised, N=Not used



Counter	No	Tag	St	MaxOcc	Level	Name
0200		<b>SG5</b>	C	10	1	<b>TOD</b>
0210	21	<b>TOD</b>	M	1	1	<b>Terms of delivery or transport</b>

Standard			Implementation	
Tag	Name	St Format	St Format	Usage / Remark
TOD				
4055	Delivery or transport terms function code	C an..3	C an..3	<b>6 Delivery condition</b>
4215	Transport charges payment method code	C an..3	N	Not used
C100	Terms of delivery or transport	C	C	
4053	Delivery or transport terms description code	C an..3	C an..3	INCOTERMS
1131	Code list identification code	C an..17	N	Not used
3055	Code list responsible agency code	C an..3	C an..3	<b>4 ICC (International Chamber of Commerce)</b>
4052	Delivery or transport terms description	C an..70	N	Not used
4052	Delivery or transport terms description	C an..70	N	Not used

**Remark:**  
This segment is used to specify the terms of delivery for the complete order.

**Example:**  
TOD+6++DDP:::4'

Counter	No	Tag	St	MaxOcc	Level	Name
0390		<b>SG10</b>	C	9999	1	<b>CPS-SG11-SG17</b>
0400	22	<b>CPS</b>	M	1	1	<b>Consignment packing sequence</b>

Standard			Implementation	
Tag	Name	St Format	St Format	Usage / Remark
CPS				
7164	Hierarchical structure level identifier	M an..35	M an..35	Ascending counter, generated by the message sender, that is assigned to a packaging material group within the message. It is recommended to start with 1 and number in ascending order.
7166	Hierarchical structure parent identifier	C an..35	N	Not used
7075	Packaging level code	C an..3	C an..3	<b>4 No packaging hierarchy</b>

**Remark:**  
Segment for grouping delivered items. Currently, HORSCH does not require details about the packaging hierarchy.

**Example:**  
CPS+1++4'

No = Consecutive segment number  
MaxOcc = Maximum occurrence of the segment/group  
Counter = Counter of segment/group within the standard

St = Status  
EDIFACT: M=Mandatory, C=Conditional  
User specific: R=Required, O=Optional, D=Dependent,  
A=Advised, N=Not used

Counter	No	Tag	St	MaxOcc	Level	Name
0430		<b>SG11</b>	C	9999	2	<b>PAC-QTY</b>
0440	23	<b>PAC</b>	M	1	2	<b>Package</b>

Standard			Implementation	
Tag	Name	St Format	St Format	Usage / Remark
PAC				
7224	Package quantity	C n..8	C n..8	Quantity of packages.
C531	Packaging details	C	C	
7075	Packaging level code	C an..3	N	Not used
7233	Packaging related description code	C an..3	C an..3	<b>35 Type of package</b>
7073	Packaging terms and conditions code	C an..3	N	Not used
C202	Package type	C	C	
7065	Package type description code	C an..17	C an..17	The code of the used packaging, as used by HORSCH. Please get in touch with your HORSCH buyer contact, in order to retrieve a list of allowed packaging item numbers.
1131	Code list identification code	C an..17	N	Not used
3055	Code list responsible agency code	C an..3	C an..3	<b>92 Assigned by buyer or buyer's agent</b>
7064	Type of packages	C an..35	N	Not used
C402	Package type identification	C	N	
7077	Description format code	M an..3	N	Not used
7064	Type of packages	M an..35	N	Not used
7143	Item type identification code	C an..3	N	Not used
7064	Type of packages	C an..35	N	Not used
7143	Item type identification code	C an..3	N	Not used
C532	Returnable package details	C	N	
8395	Returnable package freight payment responsibility code	C an..3	N	Not used
8393	Returnable package load contents code	C an..3	N	Not used

**Remark:**

Details about the packaging, which is being used for the delivery. E.g. boxes, pallets, etc.

**Example:**

PAC+1+:35+Kiste 4711::92'

Counter	No	Tag	St	MaxOcc	Level	Name
0430		<b>SG11</b>	C	9999	2	<b>PAC-QTY</b>
0460	24	<b>QTY</b>	C	10	3	<b>Quantity</b>

Standard			Implementation	
Tag	Name	St Format	St Format	Usage / Remark
QTY				
C186	Quantity details	M	M	
6063	Quantity type code qualifier	M an..3	M an..3	<b>52 Quantity per pack</b>
6060	Quantity	M an..35	M an..35	The actual quantity.

No = Consecutive segment number  
 MaxOcc = Maximum occurrence of the segment/group  
 Counter = Counter of segment/group within the standard

St = Status  
 EDIFACT: M=Mandatory, C=Conditional  
 User specific: R=Required, O=Optional, D=Dependent,  
 A=Advised, N=Not used



6411	Measurement unit code	C an..8	C an..8	<b>C62 one</b> <b>KGM kilogram</b> <b>KMT kilometre</b> <b>LTR litre</b> <b>MTK square metre</b> <b>MTQ cubic metre</b> <b>MTR metre</b> <b>PCE piece</b> <b>SET set</b> <b>TNE tonne (metric ton)</b>
------	-----------------------	---------	---------	---

**Remark:**

Details about the filling capacity of one packaging item. E.g., amount of items, which fit in a box.

**Example:**

QTY+52:20:PCE'

No = Consecutive segment number  
 MaxOcc = Maximum occurrence of the segment/group  
 Counter = Counter of segment/group within the standard

St = Status  
 EDIFACT: M=Mandatory, C=Conditional  
 User specific: R=Required, O=Optional, D=Dependent,  
 A=Advised, N=Not used



Counter	No	Tag	St	MaxOcc	Level	Name
0650		<b>SG17</b>	C	9999	2	LIN-PIA-IMD-QTY-SG18
0660	25	<b>LIN</b>	M	1	2	Line item

Standard			Implementation	
Tag	Name	St Format	St Format	Usage / Remark
LIN				
1082	Line item identifier	C an..6	C an..6	The line number of the dispatched item. Assigned by the sender.
1229	Action code	C an..3	N	Not used
C212	Item number identification	C	C	
7140	Item identifier	C an..35	C an..35	
7143	Item type identification code	C an..3	C an..3	<b>IN Buyer's item number</b>
1131	Code list identification code	C an..17	N	Not used
3055	Code list responsible agency code	C an..3	N	Not used
C829	Sub-line information	C	N	
5495	Sub-line indicator code	C an..3	N	Not used
1082	Line item identifier	C an..6	N	Not used
1222	Configuration level number	C n..2	N	Not used
7083	Configuration operation code	C an..3	N	Not used

**Remark:**  
This segment is used to identify the item being shipped.

**Example:**  
LIN+00010++HOR-4711:IN'

Counter	No	Tag	St	MaxOcc	Level	Name
0650		<b>SG17</b>	C	9999	2	LIN-PIA-IMD-QTY-SG18
0670	26	<b>PIA</b>	C	10	3	Additional product id

Standard			Implementation	
Tag	Name	St Format	St Format	Usage / Remark
PIA				
4347	Product identifier code qualifier	M an..3	M an..3	<b>5 Product identification</b>
C212	Item number identification	M	M	
7140	Item identifier	C an..35	C an..35	
7143	Item type identification code	C an..3	C an..3	<b>SA Supplier's article number</b>
1131	Code list identification code	C an..17	N	Not used
3055	Code list responsible agency code	C an..3	N	Not used
C212	Item number identification	C	N	
7140	Item identifier	C an..35	N	Not used
7143	Item type identification code	C an..3	N	Not used
1131	Code list identification code	C an..17	N	Not used
3055	Code list responsible agency code	C an..3	N	Not used
C212	Item number identification	C	N	
7140	Item identifier	C an..35	N	Not used
7143	Item type identification code	C an..3	N	Not used

No = Consecutive segment number  
MaxOcc = Maximum occurrence of the segment/group  
Counter = Counter of segment/group within the standard

St = Status  
EDIFACT: M=Mandatory, C=Conditional  
User specific: R=Required, O=Optional, D=Dependent,  
A=Advised, N=Not used

1131	Code list identification code	C an..17	N	Not used
3055	Code list responsible agency code	C an..3	N	Not used
C212	Item number identification	C	N	
7140	Item identifier	C an..35	N	Not used
7143	Item type identification code	C an..3	N	Not used
1131	Code list identification code	C an..17	N	Not used
3055	Code list responsible agency code	C an..3	N	Not used
C212	Item number identification	C	N	
7140	Item identifier	C an..35	N	Not used
7143	Item type identification code	C an..3	N	Not used
1131	Code list identification code	C an..17	N	Not used
3055	Code list responsible agency code	C an..3	N	Not used

**Remark:**

This segment is used to specify the supplier's article number.

**Example:**

PIA+5+FRA-4712:SA'

No = Consecutive segment number  
 MaxOcc = Maximum occurrence of the segment/group  
 Counter = Counter of segment/group within the standard

St = Status  
 EDIFACT: M=Mandatory, C=Conditional  
 User specific: R=Required, O=Optional, D=Dependent,  
 A=Advised, N=Not used



Counter	No	Tag	St	MaxOcc	Level	Name
0650		<b>SG17</b>	C	9999	2	LIN-PIA-IMD-QTY-SG18
0680	27	<b>IMD</b>	C	99	3	Item description

Standard			Implementation	
Tag	Name	St Format	St Format	Usage / Remark
IMD				
7077	Description format code	C an..3	C an..3	<b>F Free-form</b>
C272	Item characteristic	C	N	
7081	Item characteristic code	C an..3	N	Not used
1131	Code list identification code	C an..17	N	Not used
3055	Code list responsible agency code	C an..3	N	Not used
C273	Item description	C	C	
7009	Item description code	C an..17	N	Not used
1131	Code list identification code	C an..17	N	Not used
3055	Code list responsible agency code	C an..3	N	Not used
7008	Item description	C an..256	C an..256	
7008	Item description	C an..256	C an..256	
3453	Language name code	C an..3	N	Not used
7383	Surface or layer code	C an..3	N	Not used

**Remark:**

This segment is used to describe the current line item in free text form.

**Example:**

IMD+F++:::Metallspitze f. Grubber:schwarz'

Counter	No	Tag	St	MaxOcc	Level	Name
0650		<b>SG17</b>	C	9999	2	LIN-PIA-IMD-QTY-SG18
0680	28	<b>IMD</b>	C	99	3	Item description

Standard			Implementation	
Tag	Name	St Format	St Format	Usage / Remark
IMD				
7077	Description format code	C an..3	C an..3	<b>B Code and text</b>
C272	Item characteristic	C	N	
7081	Item characteristic code	C an..3	N	Not used
1131	Code list identification code	C an..17	N	Not used
3055	Code list responsible agency code	C an..3	N	Not used
C273	Item description	C	C	
7009	Item description code	C an..17	N	Not used
1131	Code list identification code	C an..17	N	Not used
3055	Code list responsible agency code	C an..3	N	Not used
7008	Item description	C an..256	C an..256	
7008	Item description	C an..256	N	Not used
3453	Language name code	C an..3	N	Not used
7383	Surface or layer code	C an..3	N	Not used

No = Consecutive segment number  
 MaxOcc = Maximum occurrence of the segment/group  
 Counter = Counter of segment/group within the standard

St = Status  
 EDIFACT: M=Mandatory, C=Conditional  
 User specific: R=Required, O=Optional, D=Dependent,  
 A=Advised, N=Not used



**Remark:**

This segment is used to provide the drawing revision number for this specific line item.

**Example:**

IMD+B++:::Zeichnungsstand 471'

No = Consecutive segment number  
MaxOcc = Maximum occurrence of the segment/group  
Counter = Counter of segment/group within the standard

St = Status  
EDIFACT: M=Mandatory, C=Conditional  
User specific: R=Required, O=Optional, D=Dependent,  
A=Advised, N=Not used





Counter	No	Tag	St	MaxOcc	Level	Name
0650		<b>SG17</b>	C	9999	2	LIN-PIA-IMD-QTY-SG18
0700	29	<b>QTY</b>	C	10	3	Quantity

Standard			Implementation	
Tag	Name	St Format	St Format	Usage / Remark
QTY				
C186	Quantity details	M	M	
6063	Quantity type code qualifier	M an..3	M an..3	<b>12 Despatch quantity</b>
6060	Quantity	M an..35	M an..35	The actual dispatched quantity.
6411	Measurement unit code	C an..8	C an..8	<b>C62 one</b> <b>KGM kilogram</b> <b>KMT kilometre</b> <b>LTR litre</b> <b>MTK square metre</b> <b>MTQ cubic metre</b> <b>MTR metre</b> <b>PCE piece</b> <b>SET set</b> <b>TNE tonne (metric ton)</b>

**Remark:**  
Details about the delivered quantity

**Example:**  
QTY+12:30:PCE'

Counter	No	Tag	St	MaxOcc	Level	Name
0650		<b>SG17</b>	C	9999	2	LIN-PIA-IMD-QTY-SG18
0700	30	<b>QTY</b>	C	10	3	Quantity

Standard			Implementation	
Tag	Name	St Format	St Format	Usage / Remark
QTY				
C186	Quantity details	M	M	
6063	Quantity type code qualifier	M an..3	M an..3	<b>21 Ordered quantity</b>
6060	Quantity	M an..35	M an..35	The ordered quantity of this line item, as provided in the original purchase order/purchase order change.
6411	Measurement unit code	C an..8	C an..8	<b>C62 one</b> <b>KGM kilogram</b> <b>KMT kilometre</b> <b>LTR litre</b> <b>MTK square metre</b> <b>MTQ cubic metre</b> <b>MTR metre</b> <b>PCE piece</b> <b>SET set</b> <b>TNE tonne (metric ton)</b>

**Remark:**  
Details about the ordered quantity

**Example:**  
No = Consecutive segment number  
MaxOcc = Maximum occurrence of the segment/group  
Counter = Counter of segment/group within the standard

St = Status  
EDIFACT: M=Mandatory, C=Conditional  
User specific: R=Required, O=Optional, D=Dependent,  
A=Advised, N=Not used



QTY+21:30:PCE'

No = Consecutive segment number  
MaxOcc = Maximum occurrence of the segment/group  
Counter = Counter of segment/group within the standard

St = Status  
EDIFACT: M=Mandatory, C=Conditional  
User specific: R=Required, O=Optional, D=Dependent,  
A=Advised, N=Not used



Counter	No	Tag	St	MaxOcc	Level	Name
0830		<b>SG18</b>	R	99	3	<b>RFF-DTM</b>
0840	31	<b>RFF</b>	M	1	3	<b>Reference</b>

Standard			Implementation	
Tag	Name	St Format	St Format	Usage / Remark
RFF				
C506	Reference	M	M	
1153	Reference code qualifier	M an..3	M an..3	<b>ON Order document identifier, buyer assigned</b>
1154	Reference identifier	C an..70	C an..70	The number of the original purchase order.
1156	Document line identifier	C an..6	C an..6	The line number of the item in the original purchase order.
1056	Version identifier	C an..9	N	Not used
1060	Revision identifier	C an..6	N	Not used

**Remark:**  
Reference to the original purchase order

**Example:**  
RFF+ON:0003927986:00010'

Counter	No	Tag	St	MaxOcc	Level	Name
0830		<b>SG18</b>	R	99	3	<b>RFF-DTM</b>
0870	32	<b>DTM</b>	C	1	4	<b>Date/time/period</b>

Standard			Implementation	
Tag	Name	St Format	St Format	Usage / Remark
DTM				
C507	Date/time/period	M	M	
2005	Date or time or period function code qualifier	M an..3	M an..3	<b>171 Reference date/time</b>
2380	Date or time or period text	C an..35	C an..35	The purchase order date.
2379	Date or time or period format code	C an..3	C an..3	<b>102 CCYYMMDD</b>

**Remark:**  
**Example:**  
DTM+171:20170910:102'

No = Consecutive segment number  
MaxOcc = Maximum occurrence of the segment/group  
Counter = Counter of segment/group within the standard

St = Status  
EDIFACT: M=Mandatory, C=Conditional  
User specific: R=Required, O=Optional, D=Dependent, A=Advised, N=Not used



Counter	No	Tag	St	MaxOcc	Level	Name
1160	33	<b>UNT</b>	M	1	0	Message trailer

Standard			Implementation	
Tag	Name	St Format	St Format	Usage / Remark
UNT				
0074	Number of segments in the message	M n..6	M n..6	The total number of segments in the message is detailed here.
0062	Message reference number	M an..14	M an..14	The message reference number detailed here should equal the one specified in the UNH segment.

**Remark:**  
This segment is a mandatory UN/EDIFACT segment. It must always be the last segment in the message.

**Example:**  
UNT+31+000848373354'

Counter	No	Tag	St	MaxOcc	Level	Name
0000	34	<b>UNZ</b>	M	1	0	Interchange trailer

Standard			Implementation	
Tag	Name	St Format	St Format	Usage / Remark
UNZ				
0036	Interchange control count	M n..6	M n..6	Number of messages or functional groups within an interchange.
0020	Interchange control reference	M an..14	M an..14	Identical to DE 0020 in UNB segment.

**Remark:**  
This segment is used to provide the trailer of an interchange. It is the last segment of an EDIFACT interchange file.

**Example:**  
UNZ+1+4714'

No = Consecutive segment number  
MaxOcc = Maximum occurrence of the segment/group  
Counter = Counter of segment/group within the standard

St = Status  
EDIFACT: M=Mandatory, C=Conditional  
User specific: R=Required, O=Optional, D=Dependent,  
A=Advised, N=Not used