



Message Implementation Guideline

## **QSL ORDERS**

based on

### **ORDERS**

Purchase order message

**EANCOM® 2002 S3**

Version: D01B

Variant: 1.1

Issue date: 8/27/2018

Author: ecosio GmbH

---

|                           |   |
|---------------------------|---|
| 1 Message Structure.....  | 3 |
| 2 Branching Diagram ..... | 4 |
| 3 Segments .....          | 8 |



**Structure / Table of Contents**

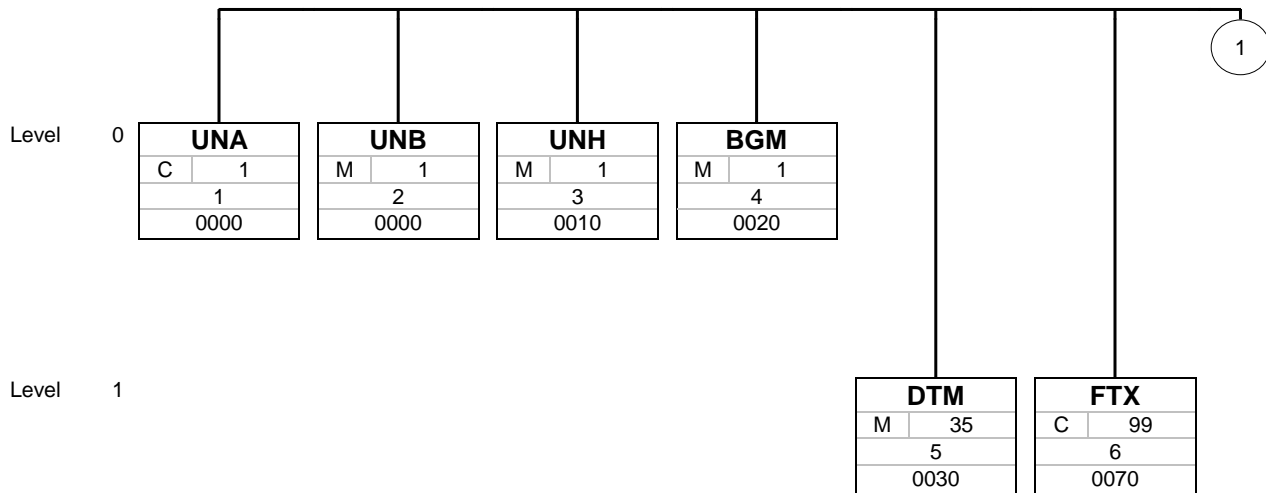
| Counter | No | Tag         | St | MaxOcc | Level | Content  |
|---------|----|-------------|----|--------|-------|--|
| 0000    | 1  | <b>UNA</b>  | C  | 1      | 0     | Service string advice  |
| 0000    | 2  | <b>UNB</b>  | M  | 1      | 0     | Interchange header   |
| 0010    | 3  | <b>UNH</b>  | M  | 1      | 0     | Message header   |
| 0020    | 4  | <b>BGM</b>  | M  | 1      | 0     | Beginning of message   |
| 0030    | 5  | <b>DTM</b>  | M  | 35     | 1     | Date/time/period   |
| 0070    | 6  | <b>FTX</b>  | C  | 99     | 1     | Free text  |
| 0120    |    | <b>SG2</b>  | C  | 99     | 1     | NAD-SG5  |
| 0130    | 7  | <b>NAD</b>  | M  | 1      | 1     | Name and address   |
| 0220    |    | <b>SG5</b>  | C  | 5      | 2     | CTA-COM  |
| 0230    | 8  | <b>CTA</b>  | M  | 1      | 2     | Details about the contact person at the QSL purchasing department are provided here. |
| 0240    | 9  | <b>COM</b>  | C  | 5      | 3     | Communication contact  |
| 0290    |    | <b>SG7</b>  | C  | 5      | 1     | CUX  |
| 0300    | 10 | <b>CUX</b>  | M  | 1      | 1     | Currencies   |
| 1030    |    | <b>SG28</b> | C  | 200000 | 1     | LIN-PIA-IMD-MEA-QTY-QTY-SG32   |
| 1040    | 11 | <b>LIN</b>  | M  | 1      | 1     | Line item  |
| 1050    | 12 | <b>PIA</b>  | C  | 25     | 2     | Additional product id  |
| 1060    | 13 | <b>IMD</b>  | C  | 99     | 2     | Item description   |
| 1070    | 14 | <b>MEA</b>  | C  | 99     | 2     | Measurements   |
| 1080    | 15 | <b>QTY</b>  | C  | 99     | 2     | Quantity   |
| 1080    | 16 | <b>QTY</b>  | C  | 99     | 2     | Quantity   |
| 1320    |    | <b>SG32</b> | C  | 25     | 2     | PRI  |
| 1330    | 17 | <b>PRI</b>  | M  | 1      | 2     | Price details  |
| 2330    | 18 | <b>UNS</b>  | M  | 1      | 0     | Section control  |
| 2400    | 19 | <b>UNT</b>  | M  | 1      | 0     | Message trailer  |
| 0000    | 20 | <b>UNZ</b>  | M  | 1      | 0     | Interchange trailer  |

Counter = Counter of segment/group within the standard  
 No = Consecutive segment number  
 MaxOcc = Maximum occurrence of the segment/group

St = Status  
 EDIFACT: M=Mandatory, C=Conditional  
 User specific: R=Required, O=Optional, D=Dependent,  
 A=Advised, N=Not used

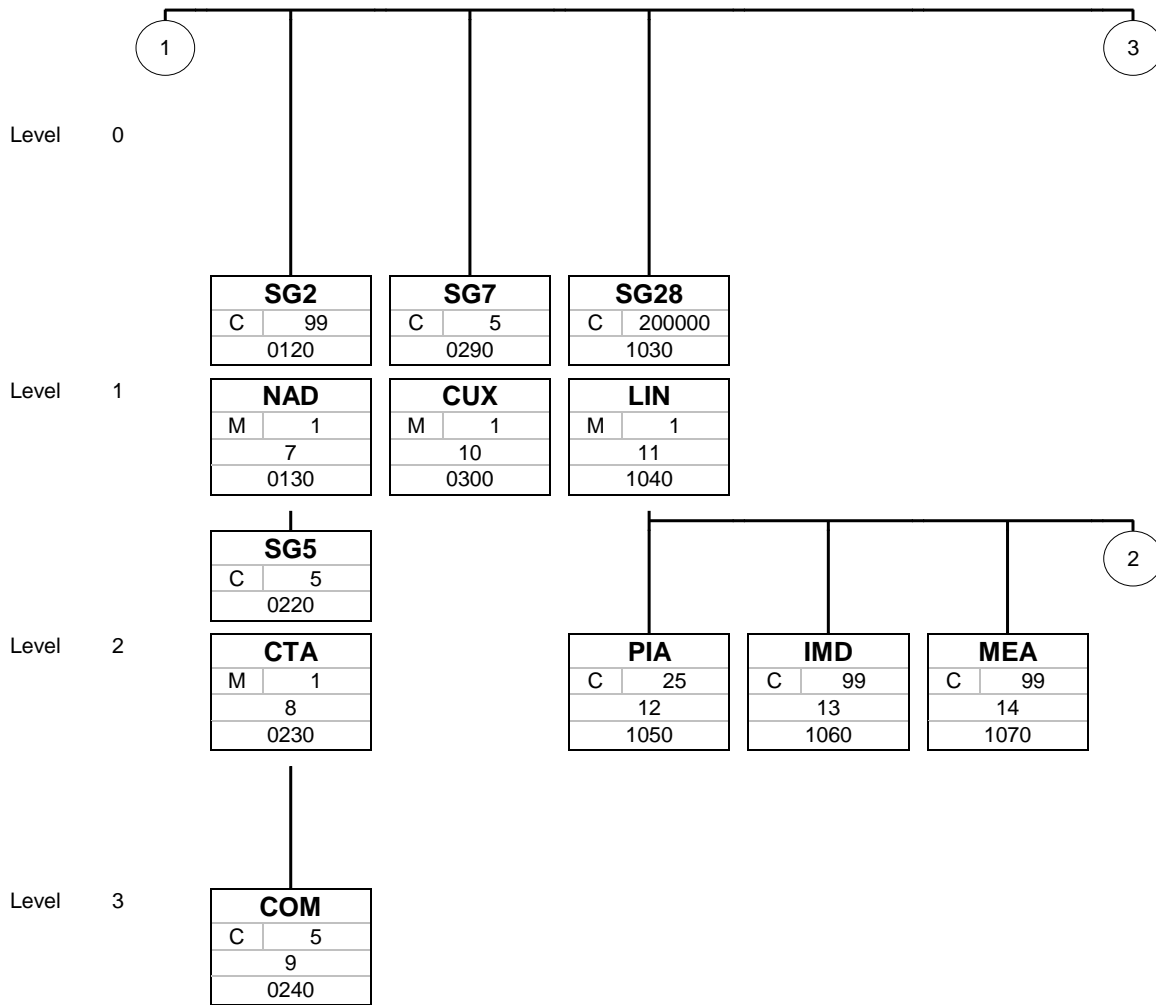


**Branching Diagram of Used Segments/Groups**



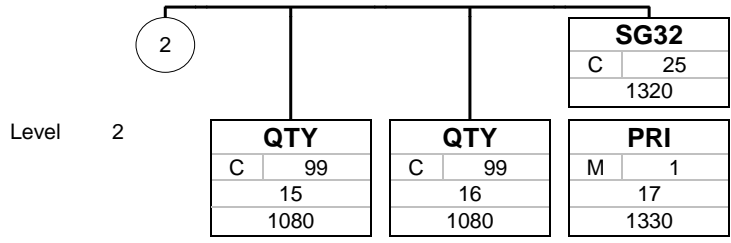
|           |
|-----------|
| Tag       |
| St MaxOcc |
| No        |
| Counter   |

Tag = Segment/Group Tag  
 St = Status (M=Mandatory, C=Conditional, R=Required, O=Optional, A=Advised, D=Dependent)  
 MaxOcc = Maximum occurrence of the segment/group  
 No = Consecutive segment number  
 Counter = Counter of segment/group within the standard



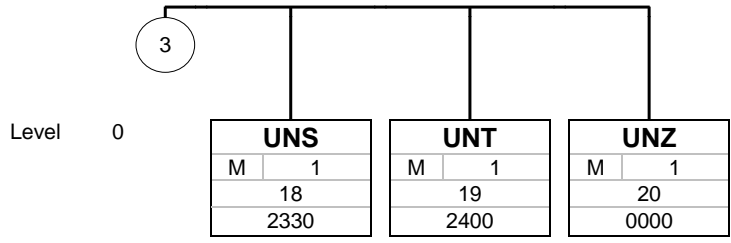
|           |
|-----------|
| Tag       |
| St MaxOcc |
| No        |
| Counter   |

Tag = Segment/Group Tag  
 St = Status (M=Mandatory, C=Conditional, R=Required, O=Optional, A=Advised, D=Dependent)  
 MaxOcc = Maximum occurrence of the segment/group  
 No = Consecutive segment number  
 Counter = Counter of segment/group within the standard



|           |
|-----------|
| Tag       |
| St MaxOcc |
| No        |
| Counter   |

Tag = Segment/Group Tag  
 St = Status (M=Mandatory, C=Conditional, R=Required, O=Optional, A=Advised, D=Dependent)  
 MaxOcc = Maximum occurrence of the segment/group  
 No = Consecutive segment number  
 Counter = Counter of segment/group within the standard



|           |
|-----------|
| Tag       |
| St MaxOcc |
| No        |
| Counter   |

Tag = Segment/Group Tag  
 St = Status (M=Mandatory, C=Conditional, R=Required, O=Optional, A=Advised, D=Dependent)  
 MaxOcc = Maximum occurrence of the segment/group  
 No = Consecutive segment number  
 Counter = Counter of segment/group within the standard



**Segments**

| Counter | No | Tag | St | MaxOcc | Level | Name |
|---------|----|-----|----|--------|-------|------|
|---------|----|-----|----|--------|-------|------|

|      |   |            |   |   |   |                       |
|------|---|------------|---|---|---|-----------------------|
| 0000 | 1 | <b>UNA</b> | C | 1 | 0 | Service string advice |
|------|---|------------|---|---|---|-----------------------|

|      |                                  | Standard  | Implementation |  |  |
|------|----------------------------------|-----------|----------------|--|--|
| Tag  | Name                             | St Format | St Format      | Usage / Remark   |  |
| UNA  |                                  |           |                |  |  |
| UNA1 | Component data element separator | M an1     | M an1          | Used as a separator between component data elements contained within a composite data element (default value: ":") |  |
| UNA2 | Data element separator           | M an1     | M an1          | Used to separate two simple or composite data elements (default value: "+")  |  |
| UNA3 | Decimal notation                 | M an1     | M an1          | Used to indicate the character used for decimal notation (default value: ".")                                      |  |
| UNA4 | Release indicator                | M an1     | M an1          | Used to restore any service character to its original specification (value: "?"). (default value: space)           |  |
| UNA5 | Reserved for future use          | M an1     | M an1          |  |  |
| UNA6 | Segment terminator               | M an1     | M an1          | Used to indicate the end of segment data (default value: "'")  |  |

**Remark:**  
Service string segment.

**Example:**  
UNA:+.?'

No = Consecutive segment number  
MaxOcc = Maximum occurrence of the segment/group  
Counter = Counter of segment/group within the standard

St = Status  
EDIFACT: M=Mandatory, C=Conditional  
User specific: R=Required, O=Optional, D=Dependent,  
A=Advised, N=Not used





| Counter | No | Tag | St | MaxOcc | Level | Name |
|---------|----|-----|----|--------|-------|------|
|---------|----|-----|----|--------|-------|------|

0000 2 **UNB** M 1 0 Interchange header

|      |  | Standard  | Implementation |   |
|------|--|-----------|----------------|---|
| Tag  | Name                                     | St Format | St Format      | Usage / Remark  |
| UNB  |  |           |                |   |
| S001 | Syntax identifier                        | M         | M              |   |
| 0001 | Syntax identifier                        | M a4      | M a4           | The encoding of the message. Always ISO-8859-1<br><b>UNOC UNECE level C</b>   |
| 0002 | Syntax version number                    | M n1      | M n1           | <b>3 Version 3</b>  |
| S002 | Interchange sender                       | M         | M              |   |
| 0004 | Sender identification                    | M an..35  | M an..35       | Sender of the EDIFACT message. Identified using a Global Location Number (GLN), a Dun & Bradstreet Number (DUNS), or a mutually agreed identifier. QSL strongly encourages the use of GLN and DUNS numbers.   |
| 0007 | Partner identification code qualifier    | C an..4   | R an..4        | <b>14 EAN International</b><br><b>1 DUNS</b><br><b>ZZZ Mutually defined</b>   |
| 0008 | Address for reverse routing              | C an..14  | N              | Not used  |
| S003 | Interchange recipient                    | M         | M              |   |
| 0010 | Recipient identification                 | M an..35  | M an..35       | Recipient of the EDIFACT message. Identified using a Global Location Number (GLN), a Dun & Bradstreet Number (DUNS), or a mutually agreed identifier. QSL strongly encourages the use of GLN and DUNS numbers.  |
| 0007 | Partner identification code qualifier    | C an..4   | C an..4        | <b>14 EAN International</b><br><b>1 DUNS</b><br><b>ZZZ Mutually defined.</b>  |
| 0014 | Routing address                          | C an..14  | N              | Not used  |
| S004 | Date/time of preparation                 | M         | M              |   |
| 0017 | Date of preparation                      | M n6      | M n6           | Document date using format YYMMDD   |
| 0019 | Time of preparation                      | M n4      | M n4           | Document time using format HHMM   |
| 0020 | Interchange control reference            | M an..14  | M an..14       | Unique reference identifying the interchange. Created by the sender's system. In order to allow for an easy lookup of interchange numbers in case of message disputes, it is encouraged that interchange reference numbers are unique per sender/receiver combination. Usually this means, that auto increment numbers shall be used. |
| S005 | Recipient's reference, password          | C         | N              |   |
| 0022 | Recipient's reference/password           | M an..14  | M an..14       |   |
| 0025 | Recipient's reference/password qualifier | C an2     | N              | Not used  |
| 0026 | Application reference                    | C an..14  | N              | Not used  |
| 0029 | Processing priority code                 | C a1      | N              | Not used  |
| 0031 | Acknowledgement request                  | C n1      | N              | Not used  |
| 0032 | Communications agreement ID              | C an..35  | N              | Not used  |
| 0035 | Test indicator                           | C n1      | C n1           | If set to 1, it indicates that the given message is a test message and shall not be processed in the production system of the message recipient.<br><b>1 Interchange is a test</b>  |

No = Consecutive segment number  
 MaxOcc = Maximum occurrence of the segment/group  
 Counter = Counter of segment/group within the standard

St = Status  
 EDIFACT: M=Mandatory, C=Conditional  
 User specific: R=Required, O=Optional, D=Dependent,  
 A=Advised, N=Not used



**Remark:**

This segment is used to envelope the interchange, as well as to identify both, the party to whom the interchange is sent and the party who has sent the interchange. The principle of the UNB segment is the same as a physical envelope which covers one or more letters or documents, and which details, both the address where delivery is to take place and the address from where the envelope has come.

**Example:**

UNB+UNOC:3+9999999999992:14+9999999999992:14+180109:1612+4711+++++1'

No = Consecutive segment number  
MaxOcc = Maximum occurrence of the segment/group  
Counter = Counter of segment/group within the standard

St = Status  
EDIFACT: M=Mandatory, C=Conditional  
User specific: R=Required, O=Optional, D=Dependent,  
A=Advised, N=Not used



| Counter | No | Tag        | St | MaxOcc | Level | Name           |
|---------|----|------------|----|--------|-------|----------------|
| 0010    | 3  | <b>UNH</b> | M  | 1      | 0     | Message header |

|            |                           | Standard  | Implementation |   |
|------------|---------------------------|-----------|----------------|---|
| Tag        | Name                      | St Format | St Format      | Usage / Remark  |
| <b>UNH</b> |                           |           |                |   |
| 0062       | Message reference number  | M an..14  | M an..14       | Sender's unique message reference. Sequence number of the messages in the interchange. DE 0062 in the UNT will be exactly the same. Sender generated. |
| S009       | Message identifier        | M         | M              |   |
| 0065       | Message type              | M an..6   | M an..6        | <b>ORDERS Purchase order message</b>  |
| 0052       | Message version number    | M an..3   | M an..3        | <b>D Draft version/UN/EDIFACT Directory</b>   |
| 0054       | Message release number    | M an..3   | M an..3        | <b>01B Release 2001 - B</b>   |
| 0051       | Controlling agency        | M an..2   | M an..2        | <b>UN UN/CEFACT</b>   |
| 0057       | Association assigned code | C an..6   | C an..6        | <b>EAN010 EAN version control number (EAN Code)</b>   |
| 0068       | Common access reference   | C an..35  | N              | Not used  |
| S010       | Status of the transfer    | C         | N              |   |
| 0070       | Sequence of transfers     | M n..2    | N              | Not used  |
| 0073       | First and last transfer   | C a1      | N              | Not used  |

**Remark:**  
This segment is used to head, identify and specify a message.

**Example:**  
UNH+10284+ORDERS:D:01B:UN:EAN010'

No = Consecutive segment number  
MaxOcc = Maximum occurrence of the segment/group  
Counter = Counter of segment/group within the standard

St = Status  
EDIFACT: M=Mandatory, C=Conditional  
User specific: R=Required, O=Optional, D=Dependent,  
A=Advised, N=Not used



| Counter | No | Tag        | St | MaxOcc | Level | Name                 |
|---------|----|------------|----|--------|-------|----------------------|
| 0020    | 4  | <b>BGM</b> | M  | 1      | 0     | Beginning of message |

|      |                                   | Standard  | Implementation |  |
|------|-----------------------------------|-----------|----------------|--|
| Tag  | Name                              | St Format | St Format      | Usage / Remark   |
| BGM  |                                   |           |                |  |
| C002 | Document/message name             | C         | C              |  |
| 1001 | Document name code                | C an..3   | C an..3        | <b>220 Order</b>   |
| 1131 | Code list identification code     | C an..17  | N              | Not used   |
| 3055 | Code list responsible agency code | C an..3   | N              | Not used   |
| 1000 | Document name                     | C an..35  | N              | Not used   |
| C106 | Document/message identification   | C         | C              |  |
| 1004 | Document identifier               | C an..35  | C an..35       |  |
| 1056 | Version identifier                | C an..9   | N              | Not used   |
| 1060 | Revision identifier               | C an..6   | N              | Not used   |
| 1225 | Message function code             | C an..3   | C an..3        | The message function of the given purchase order. In case of QSL only '9' is supported, which is an original order.<br><b>9 Original</b> |
| 4343 | Response type code                | C an..3   | N              | Not used   |

**Remark:**

This segment is used to indicate the type and function of a message and to transmit the identifying number.

**Example:**

BGM+220+10284+9'

No = Consecutive segment number  
 MaxOcc = Maximum occurrence of the segment/group  
 Counter = Counter of segment/group within the standard

St = Status  
 EDIFACT: M=Mandatory, C=Conditional  
 User specific: R=Required, O=Optional, D=Dependent,  
 A=Advised, N=Not used



| Counter | No | Tag | St | MaxOcc | Level | Name |
|---------|----|-----|----|--------|-------|------|
|---------|----|-----|----|--------|-------|------|

|      |   |            |   |    |   |                  |
|------|---|------------|---|----|---|------------------|
| 0030 | 5 | <b>DTM</b> | M | 35 | 1 | Date/time/period |
|------|---|------------|---|----|---|------------------|

| Standard |  |           | Implementation |  |
|----------|--|-----------|----------------|--|
| Tag      | Name   | St Format | St Format      | Usage / Remark   |
| DTM      |  |           |                |  |
| C507     | Date/time/period                               | M         | M              |  |
| 2005     | Date or time or period function code qualifier | M an..3   | M an..3        | Type of date.<br><b>137 Document/message date/time</b><br><b>2 Delivery date/time, requested</b><br><b>4 Order date/time</b> |
| 2380     | Date or time or period value                   | C an..35  | C an..35       |  |
| 2379     | Date or time or period format code             | C an..3   | C an..3        | <b>102 CCYYMMDD</b>  |

**Remark:**

This segment is used to specify the date of the order, the document issue date, and the requested delivery date.

**Example:**

DTM+137:20180109:102'  
 DTM+2:20180115:102'  
 DTM+4:20180109:102'

No = Consecutive segment number  
 MaxOcc = Maximum occurrence of the segment/group  
 Counter = Counter of segment/group within the standard

St = Status  
 EDIFACT: M=Mandatory, C=Conditional  
 User specific: R=Required, O=Optional, D=Dependent,  
 A=Advised, N=Not used



| Counter | No | Tag | St | MaxOcc | Level | Name |
|---------|----|-----|----|--------|-------|------|
|---------|----|-----|----|--------|-------|------|

|      |   |            |   |    |   |           |
|------|---|------------|---|----|---|-----------|
| 0070 | 6 | <b>FTX</b> | C | 99 | 1 | Free text |
|------|---|------------|---|----|---|-----------|

|      |                                   | Standard  | Implementation |                                   |
|------|-----------------------------------|-----------|----------------|-----------------------------------|
| Tag  | Name                              | St Format | St Format      | Usage / Remark                    |
| FTX  |                                   |           |                |                                   |
| 4451 | Text subject code qualifier       | M an..3   | M an..3        | <b>PUR Purchasing information</b> |
| 4453 | Free text function code           | C an..3   | C an..3        | <b>3 Text for immediate use</b>   |
| C107 | Text reference                    | C         | C              |                                   |
| 4441 | Free text value code              | M an..17  | M an..17       |                                   |
| 1131 | Code list identification code     | C an..17  | N              | Not used                          |
| 3055 | Code list responsible agency code | C an..3   | N              | Not used                          |
| C108 | Text literal                      | C         | C              |                                   |
| 4440 | Free text value                   | M an..512 | M an..512      |                                   |
| 4440 | Free text value                   | C an..512 | C an..512      |                                   |
| 4440 | Free text value                   | C an..512 | C an..512      |                                   |
| 4440 | Free text value                   | C an..512 | C an..512      |                                   |
| 4440 | Free text value                   | C an..512 | C an..512      |                                   |
| 3453 | Language name code                | C an..3   | C an..3        |                                   |
| 4447 | Free text format code             | C an..3   | N              | Not used                          |

**Remark:**

Free text associated with the purchase order. In particular details in regard to the delivery (e.g. requested delivery time at the warehouse) and contact person details at the warehouse are provided here.

**Example:**

FTX+PUR+3++Reception timeslot between 12h00 pm - 18h00 pm?: Contact (appointment):?+33 3 24 38 75 16 / STEF-LOG RETHEL RECEPTION@stef.com+AA'

No = Consecutive segment number  
 MaxOcc = Maximum occurrence of the segment/group  
 Counter = Counter of segment/group within the standard

St = Status  
 EDIFACT: M=Mandatory, C=Conditional  
 User specific: R=Required, O=Optional, D=Dependent,  
 A=Advised, N=Not used



| Counter | No | Tag        | St | MaxOcc | Level | Name                    |
|---------|----|------------|----|--------|-------|-------------------------|
| 0120    |    | <b>SG2</b> | C  | 99     | 1     | <b>NAD-SG5</b>          |
| 0130    | 7  | <b>NAD</b> | M  | 1      | 1     | <b>Name and address</b> |

|      |   | Standard  | Implementation |   |
|------|---|-----------|----------------|---|
| Tag  | Name  | St Format | St Format      | Usage / Remark  |
| NAD  |   |           |                |   |
| 3035 | Party function code qualifier                   | M an..3   | M an..3        | <b>BY Buyer</b><br><b>SU Supplier</b><br><b>DP Delivery party</b>   |
| C082 | Party identification details                    | C         | C              |   |
| 3039 | Party identifier                                | M an..35  | M an..35       | The involved business entities are identified using a Global Location Number (GLN), a Dun & Bradstreet Number (DUNS), or a mutually agreed identifier. QSL strongly encourages the use of GLN and DUNS numbers. |
| 1131 | Code list identification code                   | C an..17  | N              | Not used  |
| 3055 | Code list responsible agency code               | C an..3   | C an..3        | <b>9 EAN (International Article Numbering association)</b><br><b>ZZZ Mutually defined</b><br><b>16 DUNS</b>   |
| C058 | Name and address                                | C         | N              |   |
| 3124 | Name and address description                    | M an..35  | N              | Not used  |
| 3124 | Name and address description                    | C an..35  | N              | Not used  |
| 3124 | Name and address description                    | C an..35  | N              | Not used  |
| 3124 | Name and address description                    | C an..35  | N              | Not used  |
| 3124 | Name and address description                    | C an..35  | N              | Not used  |
| C080 | Party name                                      | C         | D              |   |
| 3036 | Party name                                      | M an..35  | M an..35       | Name of the business partner  |
| 3036 | Party name                                      | C an..35  | C an..35       |   |
| 3036 | Party name                                      | C an..35  | N              | Not used  |
| 3036 | Party name                                      | C an..35  | N              | Not used  |
| 3036 | Party name                                      | C an..35  | N              | Not used  |
| 3045 | Party name format code                          | C an..3   | N              | Not used  |
| C059 | Street  | C         | C              | Address details such as street or post office box of the business partner.  |
| 3042 | Street and number or post office box identifier | M an..35  | M an..35       |   |
| 3042 | Street and number or post office box identifier | C an..35  | C an..35       |   |
| 3042 | Street and number or post office box identifier | C an..35  | C an..35       |   |
| 3042 | Street and number or post office box identifier | C an..35  | C an..35       |   |
| 3164 | City name                                       | C an..35  | D an..35       | City name of the business partner   |
| C819 | Country sub-entity details                      | C         | N              |   |
| 3229 | Country sub-entity name code                    | C an..9   | N              | Not used  |
| 1131 | Code list identification code                   | C an..17  | N              | Not used  |
| 3055 | Code list responsible agency                    | C an..3   | N              | Not used  |

No = Consecutive segment number  
 MaxOcc = Maximum occurrence of the segment/group  
 Counter = Counter of segment/group within the standard

St = Status  
 EDIFACT: M=Mandatory, C=Conditional  
 User specific: R=Required, O=Optional, D=Dependent,  
 A=Advised, N=Not used



|      |                            | Standard  | Implementation |  |
|------|----------------------------|-----------|----------------|--|
| Tag  | Name                       | St Format | St Format      | Usage / Remark   |
|      | code                       |           |                |  |
| 3228 | Country sub-entity name    | C an..70  | N              | Not used   |
| 3251 | Postal identification code | C an..17  | C an..17       | Postal code of the business partner.   |
| 3207 | Country name code          | C an..3   | C an..3        | Used to provide the country of the business partner. ISO 3166 2-Alpha Codes shall be used. |

**Remark:**

This segment is used to identify the trading partners involved in the order process. Identification of the buyer and supplier of goods and services is mandatory using DE's 3035 and C082.

**Example:**

```
NAD+BY+999999999999992::9++Meyer Quick Service Logistics GmbH:& CO. KG+Ludwig-Meyer-Straße 2-4+Friedrichsdorf++61381+DE'
CTA+IC+Max Mustermann'
COM+(0049) 6175 4009-0:TE'
COM+(0049) 6175 4009-390:FX'
COM+max.mustermann@meyer-logistik.com:EM'
NAD+SU+8888888888881::9++QSR LOGISTICS+45, avenue Victor Hugo Bâtimen+Aubevilliers++93300+FR'
NAD+DP+999999999999992::9++Meyer Quick Service Logistics GmbH :& CO. KG+Ludwig-Meyer-Straße 2-4+Friedrichsdorf++61381+DE'
```

No = Consecutive segment number  
 MaxOcc = Maximum occurrence of the segment/group  
 Counter = Counter of segment/group within the standard

St = Status  
 EDIFACT: M=Mandatory, C=Conditional  
 User specific: R=Required, O=Optional, D=Dependent,  
 A=Advised, N=Not used





| Counter | No | Tag        | St | MaxOcc | Level | Name   |
|---------|----|------------|----|--------|-------|--|
| 0220    |    | <b>SG5</b> | C  | 5      | 2     | CTA-COM  |
| 0230    | 8  | <b>CTA</b> | M  | 1      | 2     | Details about the contact person at the QSL purchasing department are provided here. |

| Standard |                                  |           | Implementation |   |
|----------|----------------------------------|-----------|----------------|---|
| Tag      | Name                             | St Format | St Format      | Usage / Remark  |
| CTA      |                                  |           |                |   |
| 3139     | Contact function code            | C an..3   | C an..3        | The contact at the buyer's side.<br><b>IC Information contact</b> |
| C056     | Department or employee details   | C         | C              |   |
| 3413     | Department or employee name code | C an..17  | N              | Not used  |
| 3412     | Department or employee name      | C an..35  | C an..35       | Name of the contact person  |

**Remark:**

**Example:**

CTA+IC+:Max Mustermann'

No = Consecutive segment number  
 MaxOcc = Maximum occurrence of the segment/group  
 Counter = Counter of segment/group within the standard

St = Status  
 EDIFACT: M=Mandatory, C=Conditional  
 User specific: R=Required, O=Optional, D=Dependent,  
 A=Advised, N=Not used



| Counter | No   | Tag        | St | MaxOcc | Level | Name                         |
|---------|------|------------|----|--------|-------|------------------------------|
|         | 0220 | <b>SG5</b> | C  | 5      | 2     | <b>CTA-COM</b>               |
|         | 0240 | <b>COM</b> | C  | 5      | 3     | <b>Communication contact</b> |

|      |                                      | Standard  | Implementation |   |
|------|--------------------------------------|-----------|----------------|---|
| Tag  | Name                                 | St Format | St Format      | Usage / Remark  |
| COM  |                                      |           |                |   |
| C076 | Communication contact                | M         | M              |   |
| 3148 | Communication address identifier     | M an..512 | M an..512      |   |
| 3155 | Communication address code qualifier | M an..3   | M an..3        | <b>EM Electronic mail</b><br><b>FX Fax</b><br><b>TE Telephone</b> |

**Remark:**

This segment identifies the communications number, and type of communications, for the person or department identified in the preceding CTA segment.

**Example:**

COM+(0049) 6175 4009-0:TE'

No = Consecutive segment number  
 MaxOcc = Maximum occurrence of the segment/group  
 Counter = Counter of segment/group within the standard

St = Status  
 EDIFACT: M=Mandatory, C=Conditional  
 User specific: R=Required, O=Optional, D=Dependent,  
 A=Advised, N=Not used



| Counter | No   | Tag        | St         | MaxOcc | Level | Name                |
|---------|------|------------|------------|--------|-------|---------------------|
|         | 0290 | <b>SG7</b> | C          | 5      | 1     | <b>CUX</b>          |
|         | 0300 | 10         | <b>CUX</b> | M      | 1     | 1 <b>Currencies</b> |

|      |  | Standard  | Implementation |                                      |
|------|--|-----------|----------------|--------------------------------------|
| Tag  | Name                                     | St Format | St Format      | Usage / Remark                       |
| CUX  |  |           |                |                                      |
| C504 | Currency details                         | C         | C              |                                      |
| 6347 | Currency usage code qualifier            | M an..3   | M an..3        | <b>2 Reference currency</b>          |
| 6345 | Currency identification code             | C an..3   | C an..3        | Currency, provided as ISO 4217 code. |
| 6343 | Currency type code qualifier             | C an..3   | N              | Not used                             |
| 6348 | Currency rate value                      | C n..4    | N              | Not used                             |
| C504 | Currency details                         | C         | N              |                                      |
| 6347 | Currency usage code qualifier            | M an..3   | N              | Not used                             |
| 6345 | Currency identification code             | C an..3   | N              | Not used                             |
| 6343 | Currency type code qualifier             | C an..3   | N              | Not used                             |
| 6348 | Currency rate value                      | C n..4    | N              | Not used                             |
| 5402 | Currency exchange rate                   | C n..12   | N              | Not used                             |
| 6341 | Exchange rate currency market identifier | C an..3   | N              | Not used                             |

**Remark:**

This segment is used to specify currency information for the complete order.

**Example:**

CUX+2:EUR'

No = Consecutive segment number  
 MaxOcc = Maximum occurrence of the segment/group  
 Counter = Counter of segment/group within the standard

St = Status  
 EDIFACT: M=Mandatory, C=Conditional  
 User specific: R=Required, O=Optional, D=Dependent,  
 A=Advised, N=Not used



| Counter | No | Tag         | St | MaxOcc | Level | Name                            |
|---------|----|-------------|----|--------|-------|---------------------------------|
| 1030    |    | <b>SG28</b> | C  | 200000 | 1     | <b>LIN-PIA-IMD-MEA-QTY-SG32</b> |
| 1040    | 11 | <b>LIN</b>  | M  | 1      | 1     | <b>Line item</b>                |

|      |  | Standard  | Implementation |  |
|------|--|-----------|----------------|--|
| Tag  | Name   | St Format | St Format      | Usage / Remark   |
| LIN  |  |           |                |  |
| 1082 | Line item identifier                         | C an..6   | C an..6        | Application generated number of the count of the order lines. For the receiving systems it is important to correctly process this number including all leading zeros, as this number will later be required for consecutive documents such as ORDRSP, DESADV and INVOIC. |
| 1229 | Action request/notification description code | C an..3   | N              | Not used   |
| C212 | Item number identification                   | C         | C              |  |
| 7140 | Item identifier                              | C an..35  | C an..35       | If a GTIN is available for the ordered good, it is provided in this element. If no GTIN is available, this field remains empty and the supplier's and buyer's article numbers in the respective PIA elements are used instead.   |
| 7143 | Item type identification code                | C an..3   | C an..3        | <b>SRV EAN.UCC Global Trade Item Number</b>  |
| 1131 | Code list identification code                | C an..17  | N              | Not used   |
| 3055 | Code list responsible agency code            | C an..3   | N              | Not used   |
| C829 | Sub-line information                         | C         | N              |  |
| 5495 | Sub-line indicator code                      | C an..3   | N              | Not used   |
| 1082 | Line item identifier                         | C an..6   | N              | Not used   |
| 1222 | Configuration level number                   | C n..2    | N              | Not used   |
| 7083 | Configuration operation code                 | C an..3   | N              | Not used   |

**Remark:**  
This segment is used to identify the item being ordered.

**Example:**  
 LIN+00010++9999999994711:SRV'  
 PIA+5+52093:BP'  
 PIA+5+439948:SA'  
 IMD+F+:::Schmelzkäsescheiben'  
 MEA+AAI+AAB:4+KGM:21326.76'  
 QTY+21:1674:CT'  
 PRI+AAA:41.49:::1:PCE'

No = Consecutive segment number  
 MaxOcc = Maximum occurrence of the segment/group  
 Counter = Counter of segment/group within the standard

St = Status  
 EDIFACT: M=Mandatory, C=Conditional  
 User specific: R=Required, O=Optional, D=Dependent,  
 A=Advised, N=Not used



| Counter | No   | Tag         | St | MaxOcc | Level | Name                            |
|---------|------|-------------|----|--------|-------|---------------------------------|
|         | 1030 | <b>SG28</b> | C  | 200000 | 1     | <b>LIN-PIA-IMD-MEA-QTY-SG32</b> |
|         | 1050 | <b>PIA</b>  | C  | 25     | 2     | <b>Additional product id</b>    |

|      |                                   | Standard |        | Implementation |        |  |
|------|-----------------------------------|----------|--------|----------------|--------|--|
| Tag  | Name                              | St       | Format | St             | Format | Usage / Remark   |
| PIA  |                                   |          |        |                |        |  |
| 4347 | Product identifier code qualifier | M        | an..3  | M              | an..3  | <b>5 Product identification</b>                                      |
| C212 | Item number identification        | M        |        | M              |        |  |
| 7140 | Item identifier                   | C        | an..35 | C              | an..35 |  |
| 7143 | Item type identification code     | C        | an..3  | C              | an..3  | <b>BP Buyer's part number</b><br><b>SA Supplier's article number</b> |
| 1131 | Code list identification code     | C        | an..17 | N              |        | Not used   |
| 3055 | Code list responsible agency code | C        | an..3  | N              |        | Not used   |
| C212 | Item number identification        | C        |        | N              |        |  |
| 7140 | Item identifier                   | C        | an..35 | N              |        | Not used   |
| 7143 | Item type identification code     | C        | an..3  | N              |        | Not used   |
| 1131 | Code list identification code     | C        | an..17 | N              |        | Not used   |
| 3055 | Code list responsible agency code | C        | an..3  | N              |        | Not used   |
| C212 | Item number identification        | C        |        | N              |        |  |
| 7140 | Item identifier                   | C        | an..35 | N              |        | Not used   |
| 7143 | Item type identification code     | C        | an..3  | N              |        | Not used   |
| 1131 | Code list identification code     | C        | an..17 | N              |        | Not used   |
| 3055 | Code list responsible agency code | C        | an..3  | N              |        | Not used   |
| C212 | Item number identification        | C        |        | N              |        |  |
| 7140 | Item identifier                   | C        | an..35 | N              |        | Not used   |
| 7143 | Item type identification code     | C        | an..3  | N              |        | Not used   |
| 1131 | Code list identification code     | C        | an..17 | N              |        | Not used   |
| 3055 | Code list responsible agency code | C        | an..3  | N              |        | Not used   |

**Remark:**

This segment is used to specify additional item identification codes such as the buyer's and the supplier's article number.

**Example:**

PIA+5+52093:BP'  
PIA+5+439948:SA'

No = Consecutive segment number  
MaxOcc = Maximum occurrence of the segment/group  
Counter = Counter of segment/group within the standard

St = Status  
EDIFACT: M=Mandatory, C=Conditional  
User specific: R=Required, O=Optional, D=Dependent,  
A=Advised, N=Not used



| Counter | No | Tag         | St | MaxOcc | Level | Name                     |
|---------|----|-------------|----|--------|-------|--------------------------|
| 1030    |    | <b>SG28</b> | C  | 200000 | 1     | LIN-PIA-IMD-MEA-QTY-SG32 |
| 1060    | 13 | <b>IMD</b>  | C  | 99     | 2     | Item description         |

|      |                                   | Standard  | Implementation |                    |
|------|-----------------------------------|-----------|----------------|--------------------|
| Tag  | Name                              | St Format | St Format      | Usage / Remark     |
| IMD  |                                   |           |                |                    |
| 7077 | Description format code           | C an..3   | C an..3        | <b>F Free-form</b> |
| C272 | Item characteristic               | C         | N              |                    |
| 7081 | Item characteristic code          | C an..3   | N              | Not used           |
| 1131 | Code list identification code     | C an..17  | N              | Not used           |
| 3055 | Code list responsible agency code | C an..3   | N              | Not used           |
| C273 | Item description                  | C         | C              |                    |
| 7009 | Item description code             | C an..17  | N              | Not used           |
| 1131 | Code list identification code     | C an..17  | N              | Not used           |
| 3055 | Code list responsible agency code | C an..3   | N              | Not used           |
| 7008 | Item description                  | C an..256 | O an..256      |                    |
| 7008 | Item description                  | C an..256 | O an..256      |                    |
| 3453 | Language name code                | C an..3   | N              | Not used           |
| 7383 | Surface or layer code             | C an..3   | N              | Not used           |

**Remark:**  
Free text item description.

**Example:**  
IMD+F++:::Schmelzkäsescheiben'

No = Consecutive segment number  
MaxOcc = Maximum occurrence of the segment/group  
Counter = Counter of segment/group within the standard

St = Status  
EDIFACT: M=Mandatory, C=Conditional  
User specific: R=Required, O=Optional, D=Dependent,  
A=Advised, N=Not used



| Counter | No | Tag         | St | MaxOcc | Level | Name                     |
|---------|----|-------------|----|--------|-------|--------------------------|
| 1030    |    | <b>SG28</b> | C  | 200000 | 1     | LIN-PIA-IMD-MEA-QTY-SG32 |
| 1070    | 14 | <b>MEA</b>  | C  | 99     | 2     | Measurements             |

|      |                                    | Standard  | Implementation |                              |
|------|------------------------------------|-----------|----------------|------------------------------|
| Tag  | Name                               | St Format | St Format      | Usage / Remark               |
| MEA  |                                    |           |                |                              |
| 6311 | Measurement purpose code qualifier | M an..3   | M an..3        | <b>AAI Item weight</b>       |
| C502 | Measurement details                | C         | C              |                              |
| 6313 | Measured attribute code            | C an..3   | C an..3        | <b>AAB Unit gross weight</b> |
| 6321 | Measurement significance code      | C an..3   | C an..3        | <b>4 Equal to</b>            |
| 6155 | Non-discrete measurement name code | C an..17  | N              | Not used                     |
| 6154 | Non-discrete measurement name      | C an..70  | N              | Not used                     |
| C174 | Value/range                        | C         | C              |                              |
| 6411 | Measurement unit code              | M an..3   | M an..3        | <b>KGM kilogram</b>          |
| 6314 | Measurement value                  | C an..18  | C an..18       |                              |
| 6162 | Range minimum value                | C n..18   | N              | Not used                     |
| 6152 | Range maximum value                | C n..18   | N              | Not used                     |
| 6432 | Significant digits quantity        | C n..2    | N              | Not used                     |
| 7383 | Surface or layer code              | C an..3   | N              | Not used                     |

**Remark:**  
Used to provide the gross weight of a given purchase order line item.

**Example:**  
MEA+AAI+AAB:4+KGM:21326.76'

No = Consecutive segment number  
MaxOcc = Maximum occurrence of the segment/group  
Counter = Counter of segment/group within the standard

St = Status  
EDIFACT: M=Mandatory, C=Conditional  
User specific: R=Required, O=Optional, D=Dependent,  
A=Advised, N=Not used



| Counter | No | Tag         | St | MaxOcc | Level | Name                     |
|---------|----|-------------|----|--------|-------|--------------------------|
| 1030    |    | <b>SG28</b> | C  | 200000 | 1     | LIN-PIA-IMD-MEA-QTY-SG32 |
| 1080    | 15 | <b>QTY</b>  | C  | 99     | 2     | Quantity                 |

| Standard |                              |           | Implementation |   |
|----------|------------------------------|-----------|----------------|---|
| Tag      | Name                         | St Format | St Format      | Usage / Remark  |
| QTY      |                              |           |                |   |
| C186     | Quantity details             | M         | M              |   |
| 6063     | Quantity type code qualifier | M an..3   | M an..3        | <b>21 Ordered quantity</b>  |
| 6060     | Quantity                     | M an..35  | M an..35       | The ordered quantity in traded units (e.g. a carton). A traded unit may contain multiple consumer units (i.e., single items in a carton). |
| 6411     | Measurement unit code        | C an..3   | C an..3        | <b>CT Carton</b><br><b>PCE Piece (EAN Code)</b>   |

**Remark:**  
The overall ordered quantity in traded units of the given purchase order line item.

**Example:**  
QTY+21:1674:CT'

No = Consecutive segment number  
MaxOcc = Maximum occurrence of the segment/group  
Counter = Counter of segment/group within the standard

St = Status  
EDIFACT: M=Mandatory, C=Conditional  
User specific: R=Required, O=Optional, D=Dependent,  
A=Advised, N=Not used





| Counter | No | Tag         | St | MaxOcc | Level | Name                     |
|---------|----|-------------|----|--------|-------|--------------------------|
| 1030    |    | <b>SG28</b> | C  | 200000 | 1     | LIN-PIA-IMD-MEA-QTY-SG32 |
| 1080    | 16 | <b>QTY</b>  | C  | 99     | 2     | Quantity                 |

| Standard |                              |           | Implementation |   |
|----------|------------------------------|-----------|----------------|---|
| Tag      | Name                         | St Format | St Format      | Usage / Remark  |
| QTY      |                              |           |                |   |
| C186     | Quantity details             | M         | M              |   |
| 6063     | Quantity type code qualifier | M an..3   | M an..3        | <b>59 Number of consumer units in the traded unit</b>   |
| 6060     | Quantity                     | M an..35  | M an..35       | The ordered quantity in consumer units. Consumer units are single items, which are contained in a traded unit (e.g., a carton). |
| 6411     | Measurement unit code        | C an..3   | C an..3        | <b>CT Carton</b><br><b>PCE Piece (EAN Code)</b>   |

**Remark:**  
The overall ordered quantity of consumer units of the given purchase order line item.

**Example:**  
QTY+59:1674:CT'

No = Consecutive segment number  
MaxOcc = Maximum occurrence of the segment/group  
Counter = Counter of segment/group within the standard

St = Status  
EDIFACT: M=Mandatory, C=Conditional  
User specific: R=Required, O=Optional, D=Dependent,  
A=Advised, N=Not used



| Counter | No | Tag         | St | MaxOcc | Level | Name                 |
|---------|----|-------------|----|--------|-------|----------------------|
| 1320    |    | <b>SG32</b> | C  | 25     | 2     | <b>PRI</b>           |
| 1330    | 17 | <b>PRI</b>  | M  | 1      | 2     | <b>Price details</b> |

|      |   | Standard  | Implementation |   |
|------|---|-----------|----------------|---|
| Tag  | Name                                      | St Format | St Format      | Usage / Remark                            |
| PRI  |   |           |                |   |
| C509 | Price information                         | C         | C              |   |
| 5125 | Price code qualifier                      | M an..3   | M an..3        | <b>AAA Calculation net</b>                |
| 5118 | Price amount                              | C n..15   | M n..15        |   |
| 5375 | Price type code                           | C an..3   | N              | Not used                                  |
| 5387 | Price specification code                  | C an..3   | N              | Not used                                  |
| 5284 | Unit price basis value                    | C n..9    | M n..9         |   |
| 6411 | Measurement unit code                     | C an..3   | M an..3        | <b>PCE Piece (EAN Code)<br/>CT Carton</b> |
| 5213 | Sub-line item price change operation code | C an..3   | N              | Not used                                  |

**Remark:**  
Details about the price of the ordered item.

**Example:**  
PRI+AAA:41.49:::1:PCE'

No = Consecutive segment number  
MaxOcc = Maximum occurrence of the segment/group  
Counter = Counter of segment/group within the standard

St = Status  
EDIFACT: M=Mandatory, C=Conditional  
User specific: R=Required, O=Optional, D=Dependent,  
A=Advised, N=Not used



| Counter | No | Tag | St | MaxOcc | Level | Name |
|---------|----|-----|----|--------|-------|------|
|---------|----|-----|----|--------|-------|------|

|      |    |            |   |   |   |                 |
|------|----|------------|---|---|---|-----------------|
| 2330 | 18 | <b>UNS</b> | M | 1 | 0 | Section control |
|------|----|------------|---|---|---|-----------------|

| Standard |                        |           | Implementation |  |
|----------|------------------------|-----------|----------------|--|
| Tag      | Name                   | St Format | St Format      | Usage / Remark                             |
| UNS      |                        |           |                |  |
| 0081     | Section identification | M a1      | M a1           | <b>S Detail/summary section separation</b> |

**Remark:**  
This segment is used to separate the detail and summary sections of the message.

**Example:**  
UNS+S'

No = Consecutive segment number  
MaxOcc = Maximum occurrence of the segment/group  
Counter = Counter of segment/group within the standard

St = Status  
EDIFACT: M=Mandatory, C=Conditional  
User specific: R=Required, O=Optional, D=Dependent,  
A=Advised, N=Not used



| Counter | No | Tag | St | MaxOcc | Level | Name |
|---------|----|-----|----|--------|-------|------|
|---------|----|-----|----|--------|-------|------|

|      |    |            |   |   |   |                 |
|------|----|------------|---|---|---|-----------------|
| 2400 | 19 | <b>UNT</b> | M | 1 | 0 | Message trailer |
|------|----|------------|---|---|---|-----------------|

| Standard |                                   |           | Implementation |   |
|----------|-----------------------------------|-----------|----------------|---|
| Tag      | Name                              | St Format | St Format      | Usage / Remark  |
| UNT      |                                   |           |                |   |
| 0074     | Number of segments in the message | M n..6    | M n..6         | The total number of segments in the message is detailed here.                                 |
| 0062     | Message reference number          | M an..14  | M an..14       | The message reference number detailed here should equal the one specified in the UNH segment. |

**Remark:**

This segment is a mandatory UN/EDIFACT segment. It must always be the last segment in the message.

**Example:**

UNT+16+10284'

No = Consecutive segment number  
 MaxOcc = Maximum occurrence of the segment/group  
 Counter = Counter of segment/group within the standard

St = Status  
 EDIFACT: M=Mandatory, C=Conditional  
 User specific: R=Required, O=Optional, D=Dependent,  
 A=Advised, N=Not used



| Counter | No | Tag | St | MaxOcc | Level | Name |
|---------|----|-----|----|--------|-------|------|
|---------|----|-----|----|--------|-------|------|

|      |    |            |   |   |   |                     |
|------|----|------------|---|---|---|---------------------|
| 0000 | 20 | <b>UNZ</b> | M | 1 | 0 | Interchange trailer |
|------|----|------------|---|---|---|---------------------|

|      |                               | Standard  | Implementation |  |
|------|-------------------------------|-----------|----------------|--|
| Tag  | Name                          | St Format | St Format      | Usage / Remark   |
| UNZ  |                               |           |                |  |
| 0036 | Interchange control count     | M n..6    | M n..6         | Number of messages or functional groups within an interchange. |
| 0020 | Interchange control reference | M an..14  | M an..14       | Identical to DE 0020 in UNB segment.                           |

**Remark:**

This segment is used to provide the trailer of an interchange. It is the last segment of an EDIFACT interchange file.

**Example:**

UNZ+1+4711'

No = Consecutive segment number  
 MaxOcc = Maximum occurrence of the segment/group  
 Counter = Counter of segment/group within the standard

St = Status  
 EDIFACT: M=Mandatory, C=Conditional  
 User specific: R=Required, O=Optional, D=Dependent,  
 A=Advised, N=Not used