



Message Implementation Guideline

QSL ORDRSP

based on

ORDRSP

Purchase order response message

EANCOM® 2002 S3

Version: D01B

Variant: 1.0

Issue date: 1/10/2018

Author: ecosio GmbH

1 Message Structure.....	3
2 Branching Diagram	4
3 Segments	6



Structure / Table of Contents

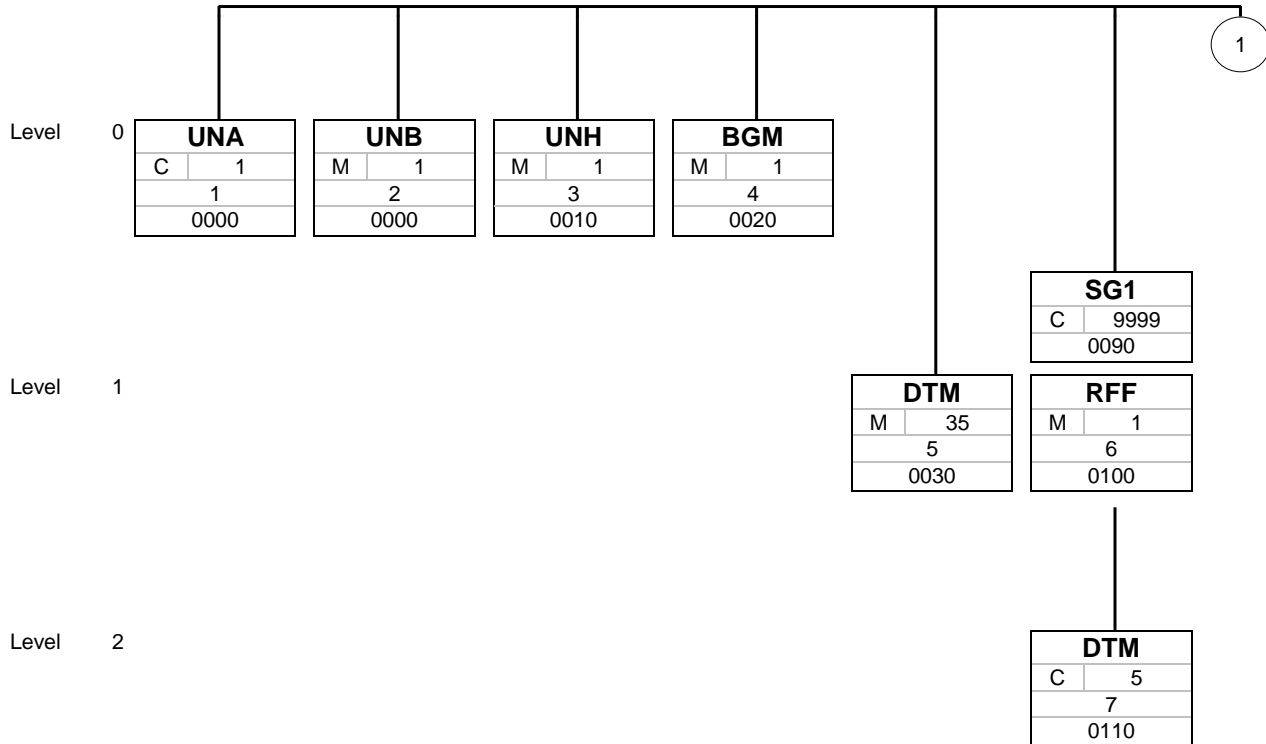
Counter	No	Tag	St	MaxOcc	Level	Content
0000	1	UNA	C	1	0	Service string advice
0000	2	UNB	M	1	0	Interchange header
0010	3	UNH	M	1	0	Message header
0020	4	BGM	M	1	0	Beginning of message
0030	5	DTM	M	35	1	Date/time/period
0090		SG1	C	9999	1	Used to provide a reference to the original purchase order from QSL.
0100	6	RFF	M	1	1	Reference
0110	7	DTM	C	5	2	Date/time/period
0150		SG3	C	99	1	NAD
0160	8	NAD	M	1	1	Name and address
0970		SG26	C	200000	1	LIN-PIA-QTY
0980	9	LIN	M	1	1	Line item
0990	10	PIA	C	25	2	Additional product id
1020	11	QTY	C	99	2	The confirmed quantity, which will be delivered.
2200	12	UNS	M	1	0	Section control
2270	13	UNT	M	1	0	Message trailer
0000	14	UNZ	M	1	0	Interchange trailer

Counter = Counter of segment/group within the standard
 No = Consecutive segment number
 MaxOcc = Maximum occurrence of the segment/group

St = Status
 EDIFACT: M=Mandatory, C=Conditional
 User specific: R=Required, O=Optional, D=Dependent,
 A=Advised, N=Not used

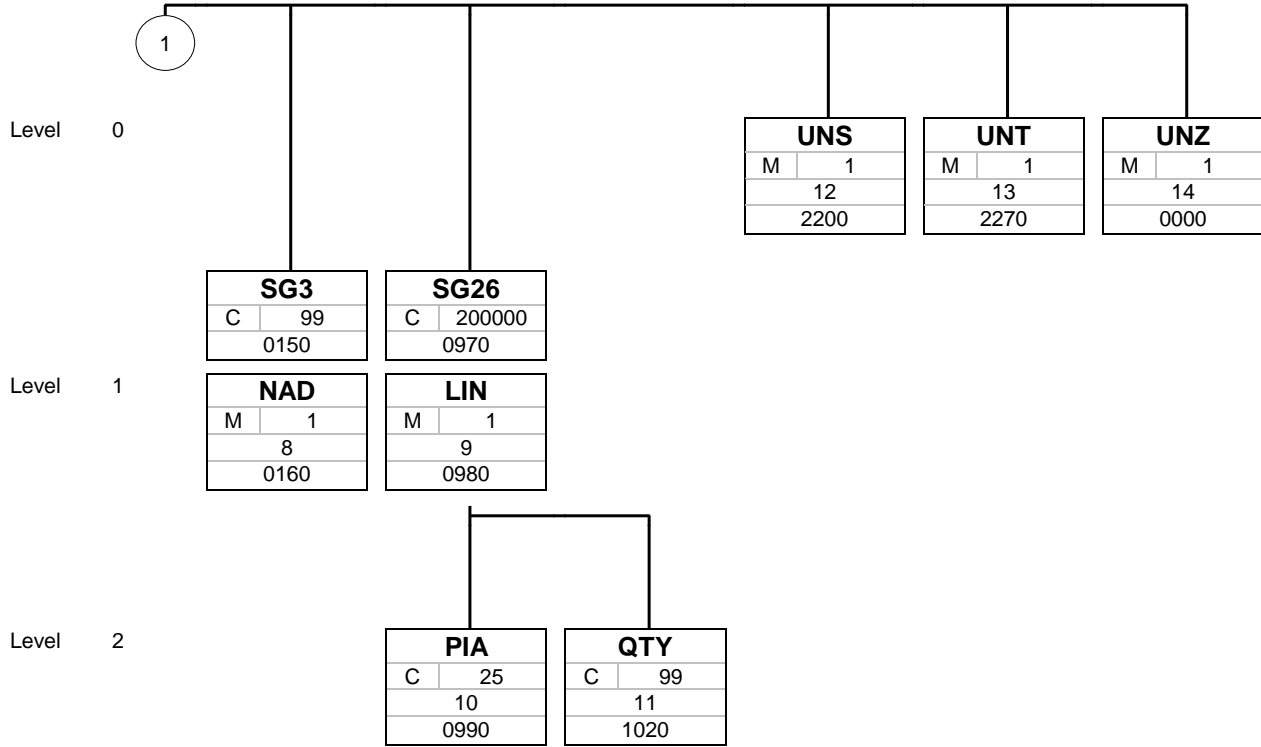


Branching Diagram of Used Segments/Groups



Tag	
St	MaxOcc
No	
Counter	

Tag = Segment/Group Tag
 St = Status (M=Mandatory, C=Conditional, R=Required, O=Optional, A=Advised, D=Dependent)
 MaxOcc = Maximum occurrence of the segment/group
 No = Consecutive segment number
 Counter = Counter of segment/group within the standard



Tag
St MaxOcc
No
Counter

Tag = Segment/Group Tag
 St = Status (M=Mandatory, C=Conditional, R=Required, O=Optional, A=Advised, D=Dependent)
 MaxOcc = Maximum occurrence of the segment/group
 No = Consecutive segment number
 Counter = Counter of segment/group within the standard



Segments

Counter	No	Tag	St	MaxOcc	Level	Name
0000	1	UNA	C	1	0	Service string advice

Standard			Implementation	
Tag	Name	St Format	St Format	Usage / Remark
UNA				
UNA1	Component data element separator	M an1	M an1	Used as a separator between component data elements contained within a composite data element (default value: ":")
UNA2	Data element separator	M an1	M an1	Used to separate two simple or composite data elements (default value: "+")
UNA3	Decimal notation	M an1	M an1	Used to indicate the character used for decimal notation (default value: ".")
UNA4	Release indicator	M an1	M an1	Used to restore any service character to its original specification (value: "?"). (default value: space)
UNA5	Reserved for future use	M an1	M an1	
UNA6	Segment terminator	M an1	M an1	Used to indicate the end of segment data (default value: "'")

Remark:
Service string segment.

Example:
UNA: + . ? ' '

No = Consecutive segment number
MaxOcc = Maximum occurrence of the segment/group
Counter = Counter of segment/group within the standard

St = Status
EDIFACT: M=Mandatory, C=Conditional
User specific: R=Required, O=Optional, D=Dependent,
A=Advised, N=Not used



Counter	No	Tag	St	MaxOcc	Level	Name
---------	----	-----	----	--------	-------	------

0000 2 **UNB** M 1 0 Interchange header

		Standard	Implementation	
Tag	Name	St Format	St Format	Usage / Remark
UNB				
S001	Syntax identifier	M	M	
0001	Syntax identifier	M a4	M a4	The encoding of the message. Always ISO-8859-1 UNOC UNECE level C
0002	Syntax version number	M n1	M n1	3 Version 3
S002	Interchange sender	M	M	
0004	Sender identification	M an..35	M an..35	Sender of the EDIFACT message. Identified using a Global Location Number (GLN), a Dun & Bradstreet Number (DUNS), or a mutually agreed identifier. QSL strongly encourages the use of GLN and DUNS numbers.
0007	Partner identification code qualifier	C an..4	R an..4	14 EAN International 1 DUNS ZZZ Mutually defined
0008	Address for reverse routing	C an..14	N	Not used
S003	Interchange recipient	M	M	
0010	Recipient identification	M an..35	M an..35	Recipient of the EDIFACT message. Identified using a Global Location Number (GLN), a Dun & Bradstreet Number (DUNS), or a mutually agreed identifier. QSL strongly encourages the use of GLN and DUNS numbers.
0007	Partner identification code qualifier	C an..4	C an..4	14 EAN International 1 DUNS ZZZ Mutually defined
0014	Routing address	C an..14	N	Not used
S004	Date/time of preparation	M	M	
0017	Date of preparation	M n6	M n6	Date using format YYMMDD
0019	Time of preparation	M n4	M n4	Time using format HHMM
0020	Interchange control reference	M an..14	M an..14	Unique reference identifying the interchange. Created by the sender's system. In order to allow for an easy lookup of interchange numbers in case of message disputes, it is encouraged that interchange reference numbers are unique per sender/receiver combination. Usually this means, that auto increment numbers shall be used.
S005	Recipient's reference, password	C	C	
0022	Recipient's reference/password	M an..14	M an..14	
0025	Recipient's reference/password qualifier	C an2	N	Not used
0026	Application reference	C an..14	N	Not used
0029	Processing priority code	C a1	N	Not used
0031	Acknowledgement request	C n1	N	Not used
0032	Communications agreement ID	C an..35	N	Not used
0035	Test indicator	C n1	C n1	If set to 1, it indicates that the given message is a test message and shall not be processed in the production system of the message recipient. 1 Interchange is a test

No = Consecutive segment number
 MaxOcc = Maximum occurrence of the segment/group
 Counter = Counter of segment/group within the standard

St = Status
 EDIFACT: M=Mandatory, C=Conditional
 User specific: R=Required, O=Optional, D=Dependent,
 A=Advised, N=Not used



Remark:

This segment is used to envelope the interchange, as well as to identify both, the party to whom the interchange is sent and the party who has sent the interchange. The principle of the UNB segment is the same as a physical envelope which covers one or more letters or documents, and which details, both the address where delivery is to take place and the address from where the envelope has come.

Example:

UNB+UNOC:3+8888888888881:14+9999999999992:14+180110:0927+4712+++++1'

Counter	No	Tag	St	MaxOcc	Level	Name
0010	3	UNH	M	1	0	Message header

Standard			Implementation	
Tag	Name	St Format	St Format	Usage / Remark
UNH				
0062	Message reference number	M an..14	M an..14	Sender's unique message reference. Sequence number of the messages in the interchange. DE 0062 in the UNT will be exactly the same. Sender generated.
S009	Message identifier	M	M	
0065	Message type	M an..6	M an..6	ORDRSP Purchase order response message
0052	Message version number	M an..3	M an..3	D Draft version/UN/EDIFACT Directory
0054	Message release number	M an..3	M an..3	01B Release 2001 - B
0051	Controlling agency	M an..2	M an..2	UN UN/CEFACT
0057	Association assigned code	C an..6	C an..6	EAN010 EAN version control number (EAN Code)
0068	Common access reference	C an..35	N	Not used
S010	Status of the transfer	C	N	
0070	Sequence of transfers	M n..2	N	Not used
0073	First and last transfer	C a1	N	Not used

Remark:

Used to head, identify and specify a message.

Example:

UNH+7331598+ORDRSP:D:01B:UN:EAN010'

No = Consecutive segment number
 MaxOcc = Maximum occurrence of the segment/group
 Counter = Counter of segment/group within the standard

St = Status
 EDIFACT: M=Mandatory, C=Conditional
 User specific: R=Required, O=Optional, D=Dependent,
 A=Advised, N=Not used



Counter	No	Tag	St	MaxOcc	Level	Name
0020	4	BGM	M	1	0	Beginning of message

		Standard		Implementation	
Tag	Name	St	Format	St	Format / Remark
BGM					
C002	Document/message name	C		C	
1001	Document name code	C	an..3	C	an..3 231 Purchase order response
1131	Code list identification code	C	an..17	N	Not used
3055	Code list responsible agency code	C	an..3	N	Not used
1000	Document name	C	an..35	N	Not used
C106	Document/message identification	C		C	
1004	Document identifier	C	an..35	C	an..35
1056	Version identifier	C	an..9	N	Not used
1060	Revision identifier	C	an..6	N	Not used
1225	Message function code	C	an..3	C	an..3 9 Original
4343	Response type code	C	an..3	N	Not used

Remark:

This segment is used to indicate the type and function of a message and to transmit the identifying number.

Example:

BGM+231+7331598+9'

No = Consecutive segment number
 MaxOcc = Maximum occurrence of the segment/group
 Counter = Counter of segment/group within the standard

St = Status
 EDIFACT: M=Mandatory, C=Conditional
 User specific: R=Required, O=Optional, D=Dependent,
 A=Advised, N=Not used



Counter	No	Tag	St	MaxOcc	Level	Name
0030	5	DTM	M	35	1	Date/time/period

Standard			Implementation	
Tag	Name	St Format	St Format	Usage / Remark
DTM				
C507	Date/time/period	M	M	
2005	Date or time or period function code qualifier	M an..3	M an..3	137 Document/message date/time 35 Delivery date/time, actual
2380	Date or time or period value	C an..35	C an..35	
2379	Date or time or period format code	C an..3	C an..3	102 CCYYMMDD

Remark:

This segment is used to specify the document issue date and the confirmed delivery date.

Example:

DTM+137:20180110:102'
DTM+35:20180115:102'

Counter	No	Tag	St	MaxOcc	Level	Name
0090		SG1	C	9999	1	Used to provide a reference to the original purchase order from QSL.
0100	6	RFF	M	1	1	Reference

Standard			Implementation	
Tag	Name	St Format	St Format	Usage / Remark
RFF				
C506	Reference	M	M	
1153	Reference code qualifier	M an..3	M an..3	ON Order number (buyer)
1154	Reference identifier	C an..70	C an..70	
1156	Document line identifier	C an..6	N	Not used
4000	Reference version identifier	C an..35	N	Not used
1060	Revision identifier	C an..6	N	Not used

Remark:

Used to provide references to other documents - most notably the underlying purchase order of this purchase order response message.

Example:

RFF+ON:10284'

No = Consecutive segment number
MaxOcc = Maximum occurrence of the segment/group
Counter = Counter of segment/group within the standard

St = Status
EDIFACT: M=Mandatory, C=Conditional
User specific: R=Required, O=Optional, D=Dependent,
A=Advised, N=Not used



Counter	No	Tag	St	MaxOcc	Level	Name
0090		SG1	C	9999	1	Used to provide a reference to the original purchase order from QSL.
0110	7	DTM	C	5	2	Date/time/period

		Standard	Implementation	
Tag	Name	St Format	St Format	Usage / Remark
DTM				
C507	Date/time/period	M	M	
2005	Date or time or period function code qualifier	M an..3	M an..3	171 Reference date/time
2380	Date or time or period value	C an..35	C an..35	
2379	Date or time or period format code	C an..3	C an..3	102 CCYYMMDD

Remark:

The date of the referenced document.

Example:

DTM+171:20180109:102'

No = Consecutive segment number
 MaxOcc = Maximum occurrence of the segment/group
 Counter = Counter of segment/group within the standard

St = Status
 EDIFACT: M=Mandatory, C=Conditional
 User specific: R=Required, O=Optional, D=Dependent,
 A=Advised, N=Not used



Counter	No	Tag	St	MaxOcc	Level	Name
0150		SG3	C	99	1	NAD
0160	8	NAD	M	1	1	Name and address

Standard			Implementation	
Tag	Name	St Format	St Format	Usage / Remark
NAD				
3035	Party function code qualifier	M an..3	M an..3	BY Buyer SU Supplier DP Delivery party
C082	Party identification details	C	R	
3039	Party identifier	M an..35	M an..35	
1131	Code list identification code	C an..17	N	Not used
3055	Code list responsible agency code	C an..3	C an..3	9 EAN (International Article Numbering association) ZZZ Mutually defined 16 DUNS
C058	Name and address	C	N	
3124	Name and address description	M an..35	N	Not used
3124	Name and address description	C an..35	N	Not used
3124	Name and address description	C an..35	N	Not used
3124	Name and address description	C an..35	N	Not used
3124	Name and address description	C an..35	N	Not used
C080	Party name	C	N	
3036	Party name	M an..35	N	Not used
3036	Party name	C an..35	N	Not used
3036	Party name	C an..35	N	Not used
3036	Party name	C an..35	N	Not used
3036	Party name	C an..35	N	Not used
3045	Party name format code	C an..3	N	Not used
C059	Street	C	N	
3042	Street and number or post office box identifier	M an..35	N	Not used
3042	Street and number or post office box identifier	C an..35	N	Not used
3042	Street and number or post office box identifier	C an..35	N	Not used
3042	Street and number or post office box identifier	C an..35	N	Not used
3164	City name	C an..35	N	Not used
C819	Country sub-entity details	C	N	
3229	Country sub-entity name code	C an..9	N	Not used
1131	Code list identification code	C an..17	N	Not used
3055	Code list responsible agency code	C an..3	N	Not used
3228	Country sub-entity name	C an..70	N	Not used
3251	Postal identification code	C an..17	N	Not used
3207	Country name code	C an..3	N	Not used

Remark:

No = Consecutive segment number
 MaxOcc = Maximum occurrence of the segment/group
 Counter = Counter of segment/group within the standard

St = Status
 EDIFACT: M=Mandatory, C=Conditional
 User specific: R=Required, O=Optional, D=Dependent,
 A=Advised, N=Not used



Name and address details of the involved business partners. In a purchase order response QSL requires the use of identifiers only.
No text-based address details must be provided.

Example:

NAD+BY+9999999999992::9'
NAD+SU+8888888888881::9'
NAD+DP+9999999999992::9'

No = Consecutive segment number
MaxOcc = Maximum occurrence of the segment/group
Counter = Counter of segment/group within the standard

St = Status
EDIFACT: M=Mandatory, C=Conditional
User specific: R=Required, O=Optional, D=Dependent,
A=Advised, N=Not used



Counter	No	Tag	St	MaxOcc	Level	Name
	0970	SG26	C	200000	1	LIN-PIA-QTY
	0980	LIN	M	1	1	Line item

		Standard	Implementation	
Tag	Name	St Format	St Format	Usage / Remark
LIN				
1082	Line item identifier	C an..6	C an..6	Purchase order response line item. It is important that this line item number is identical with the line item number of the original QSL purchase order.
1229	Action request/notification description code	C an..3	C an..3	Indicates the action, which the supplier has taken for the line item. 5 = line item has been accepted without any changes. 3 = line item has been accepted, but there has been a change in the quantity. Note, that only deductions of quantities may occur. Acknowledgement/delivery of amounts larger than the originally ordered amounts is not permitted. 3 Changed 5 Accepted without amendment
C212	Item number identification	C	C	
7140	Item identifier	C an..35	C an..35	If a GTIN was provided in the original purchase order, it must be returned in this element. If no GTIN was available in the purchase order, this field remains empty and the buyer's article number in the respective PIA element is used instead.
7143	Item type identification code	C an..3	C an..3	SRV EAN.UCC Global Trade Item Number
1131	Code list identification code	C an..17	N	Not used
3055	Code list responsible agency code	C an..3	N	Not used
C829	Sub-line information	C	N	
5495	Sub-line indicator code	C an..3	N	Not used
1082	Line item identifier	C an..6	N	Not used
1222	Configuration level number	C n..2	N	Not used
7083	Configuration operation code	C an..3	N	Not used

Remark:

The acknowledged purchase order line items.

Example:

LIN+00010+3+9999999994711:SRV'
PIA+5+52093:BP'
QTY+113:1674:CT'

No = Consecutive segment number
MaxOcc = Maximum occurrence of the segment/group
Counter = Counter of segment/group within the standard

St = Status
EDIFACT: M=Mandatory, C=Conditional
User specific: R=Required, O=Optional, D=Dependent,
A=Advised, N=Not used



Counter	No	Tag	St	MaxOcc	Level	Name
0970		SG26	C	200000	1	LIN-PIA-QTY
0990	10	PIA	C	25	2	Additional product id

Standard			Implementation	
Tag	Name	St Format	St Format	Usage / Remark
PIA				
4347	Product identifier code qualifier	M an..3	M an..3	5 Product identification
C212	Item number identification	M	M	
7140	Item identifier	C an..35	C an..35	
7143	Item type identification code	C an..3	C an..3	BP Buyer's part number
1131	Code list identification code	C an..17	N	Not used
3055	Code list responsible agency code	C an..3	N	Not used
C212	Item number identification	C	N	
7140	Item identifier	C an..35	N	Not used
7143	Item type identification code	C an..3	N	Not used
1131	Code list identification code	C an..17	N	Not used
3055	Code list responsible agency code	C an..3	N	Not used
C212	Item number identification	C	N	
7140	Item identifier	C an..35	N	Not used
7143	Item type identification code	C an..3	N	Not used
1131	Code list identification code	C an..17	N	Not used
3055	Code list responsible agency code	C an..3	N	Not used
C212	Item number identification	C	N	
7140	Item identifier	C an..35	N	Not used
7143	Item type identification code	C an..3	N	Not used
1131	Code list identification code	C an..17	N	Not used
3055	Code list responsible agency code	C an..3	N	Not used

Remark:
This segment is used to specify the buyer's article number.

Example:
PIA+5+52093:BP'

Counter	No	Tag	St	MaxOcc	Level	Name
0970		SG26	C	200000	1	LIN-PIA-QTY
1020	11	QTY	C	99	2	The confirmed quantity, which will be delivered.

No = Consecutive segment number
MaxOcc = Maximum occurrence of the segment/group
Counter = Counter of segment/group within the standard

St = Status
EDIFACT: M=Mandatory, C=Conditional
User specific: R=Required, O=Optional, D=Dependent,
A=Advised, N=Not used



		Standard	Implementation	
Tag	Name	St Format	St Format	Usage / Remark
QTY				
C186	Quantity details	M	M	
6063	Quantity type code qualifier	M an..3	M an..3	113 Quantity to be delivered
6060	Quantity	M an..35	M an..35	
6411	Measurement unit code	C an..3	C an..3	PCE Piece (EAN Code) CT Carton

Remark:

Example:

QTY+113:1674:CT'

No = Consecutive segment number
 MaxOcc = Maximum occurrence of the segment/group
 Counter = Counter of segment/group within the standard

St = Status
 EDIFACT: M=Mandatory, C=Conditional
 User specific: R=Required, O=Optional, D=Dependent,
 A=Advised, N=Not used



Counter	No	Tag	St	MaxOcc	Level	Name
2200	12	UNS	M	1	0	Section control

Standard			Implementation	
Tag	Name	St Format	St Format	Usage / Remark
UNS				
0081	Section identification	M a1	M a1	S Detail/summary section separation

Remark:
This segment is used to separate the detail and summary sections of the message.

Example:
UNS+S'

No = Consecutive segment number
MaxOcc = Maximum occurrence of the segment/group
Counter = Counter of segment/group within the standard

St = Status
EDIFACT: M=Mandatory, C=Conditional
User specific: R=Required, O=Optional, D=Dependent,
A=Advised, N=Not used



Counter	No	Tag	St	MaxOcc	Level	Name
2270	13	UNT	M	1	0	Message trailer

Standard			Implementation	
Tag	Name	St Format	St Format	Usage / Remark
UNT				
0074	Number of segments in the message	M n..6	M n..6	The total number of segments in the message is detailed here.
0062	Message reference number	M an..14	M an..14	The message reference number detailed here should equal the one specified in the UNH segment.

Remark:
The message trailer.

Example:
UNT+11+7331598'

Counter	No	Tag	St	MaxOcc	Level	Name
0000	14	UNZ	M	1	0	Interchange trailer

Standard			Implementation	
Tag	Name	St Format	St Format	Usage / Remark
UNZ				
0036	Interchange control count	M n..6	M n..6	Number of messages or functional groups within an interchange.
0020	Interchange control reference	M an..14	M an..14	Identical to DE 0020 in UNB segment.

Remark:
The interchange trailer.

Example:
UNZ+1+4712'

No = Consecutive segment number
MaxOcc = Maximum occurrence of the segment/group
Counter = Counter of segment/group within the standard

St = Status
EDIFACT: M=Mandatory, C=Conditional
User specific: R=Required, O=Optional, D=Dependent,
A=Advised, N=Not used